



# THS13/14

## Temperature & Humidity Transmitter for Wall type/ Duct type

# Temp. & Humidity-THS13/14

[www.eyc-tech.com](http://www.eyc-tech.com)



## | Features |

- Compact design, good look and easy to install
- An economical choice, high C/P ratio
- High-Tech sensor component with high accuracy and long-term stability

## | Applications |

Monitoring for HVAC process / Air conditioning / Environmental ventilation control /  
Environmental monitoring for building / Factory / Clean room / Lab. /  
Monitoring for storeroom / Crisper / Agriculture / Food industry

## | Specification |

## Input

Input type	Capacitive humidity sensor & Pt1000
------------	-------------------------------------

## Measuring range

Temperature	0 ... 50°C , Suggestion : 15 ... 35°C
-------------	---------------------------------------

Humidity	0 ... 100 %RH(Non-condensing)
----------	-------------------------------

	Suggestion : 20 ... 80%RH
--	---------------------------

## Accuracy (at 25°C)

Temperature	0.3°C+0.002°C x <b>t</b> actual
-------------	---------------------------------

Humidity	±3%RH(30..80%RH)
----------	------------------

## Output

Output	4 ... 20 mA
--------	-------------

Signal connection	2-wire
-------------------	--------

Warm-up time	<2 min., stable time 20 mins.
--------------	-------------------------------

Response time	t63(15 ... 45°C / 33 ... 75 % RH) ≤10 sec.
---------------	--

	t90(at +25°C) <20 sec.
--	------------------------

Sampling time	about 3 sec.
---------------	--------------

Temperature influence	0.2%RH / °C
-----------------------	-------------

Load resistance	2-wire current : <(V-10) / 0.02 < 500 Ω
-----------------	---

Output calibration(ZERO & SPAN) adjustment range	
--	--

	10% of zero-point and full-range
--	----------------------------------

## Environment

Medium	Air
--------	-----

Operating Temp.	0 ... +50°C
-----------------	-------------

Storage Temp.	-25 ... +60°C
---------------	---------------

## Electrical

Power supply	2-wire : DC 11 ... 35 V
--------------	-------------------------

Current consumption	2-wire : DC : 41 mA
---------------------	---------------------

Electrical connection	2-wire : 3P connection
-----------------------	------------------------

## Installation

Installation	Wall type / Duct type
--------------	-----------------------

## Protection

IP Rating	IP54(Sensor : IP20)
-----------	---------------------

Electric protection	■ Polarity protection
---------------------	-----------------------

	■ Over-voltage
--	----------------

	■ Short circuit
--	-----------------

## Certification

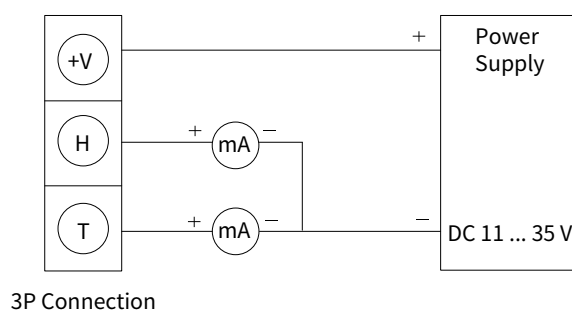
Certification	CE
---------------	----

## Material

Housing	PC fire-proof class(PC-110)(UL94V-2)
---------	--------------------------------------

Weight	THS13 : 132 g / THS14 : 157 g
--------	-------------------------------

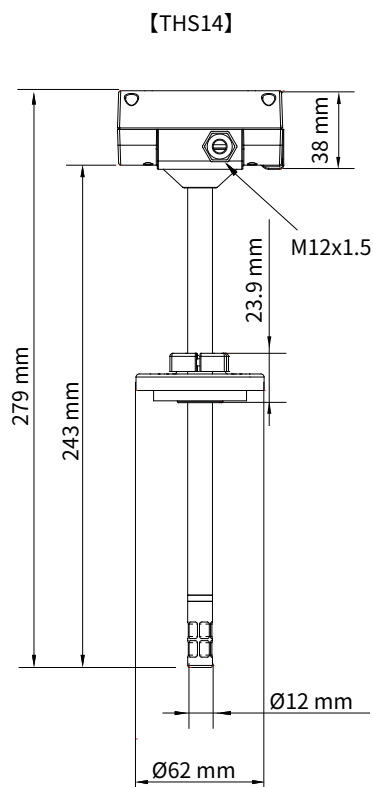
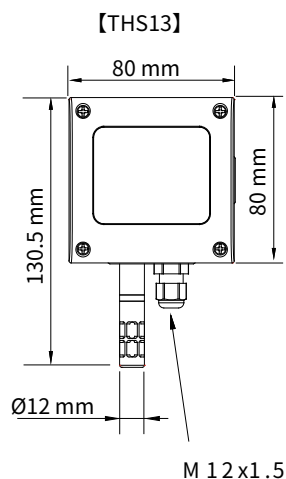
## | Diagram |



2-wire  
4 ... 20 mA

## | Dimension |

Unit:mm



## | Ordering Guide |

THS	—	Installation	—	Function	—	Output	—	Power supply	—	Measuring range	—	Option
		13		A		1		1		30		N
		13 : Wall type 14 : Duct type		A : Temperature & Humidity output		1 : 4 ... 20 mA (2-wire)		1 : DC 11 ... 35 V (2-wire)		30 : 0 ... 50°C		N : None

## | Additional Option Test Report |

For more detailed information please contact us.

## ■ ILAC / TAF

YUDEN-TECH CO.,LTD. Calibration Laboratory - ( ILAC / TAF ) Test report.

(TAF accreditation:3032, complying with ISO / IEC 17025) TAF has mutual recognition arrangement with ILAC MRA

Project	Measurand level or range
Hygrometer	Temperature : 0°C ... 69.5°C
	Humidity : 10% ... 95%

## ■ ISO 9001

Project	Measurand level or range
RTD / Thermocouple	Resistance thermometer : -40°C ... +300°C
	Thermocouple thermometer : -20°C ... +300°C