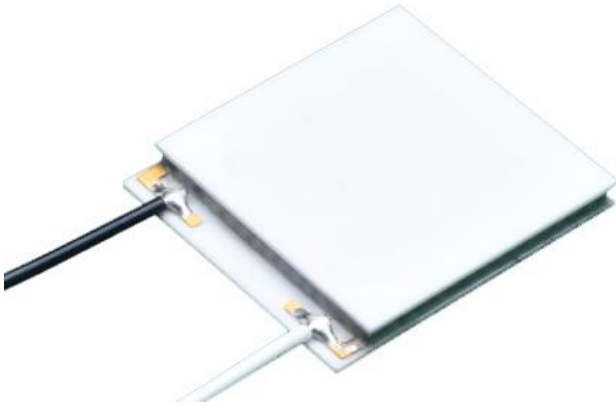




Technical Data Sheet for XLT2419

Single-Stage Thermoelectric Module



NOMINAL PERFORMANCE IN NITROGEN

Hot Side Temperature (°C)	27	50
ΔT_{max} (°C):	56.5	64.0
Q _{max} (watts):	72	79
I _{max} (amps):	13.9	13.8
V _{max} (vdc):	8.0	8.8
AC Resistance (ohms):	0.47	---

PRODUCT FEATURES

- RoHS EU Compliant
- Rated operating temperature of 125°C.
- Ceramic Material: Aluminum Oxide
- Designed for temperature cycling applications.
- Capable of rapid heating and cooling rates.
- Porch configuration for high strength leadwire connection.
- Superior nickel diffusion barriers on elements.
- High strength for rugged environment.
- RTV sealing option available.
- Lapped for multiple module applications.
- Diced option for further mechanical stress relief.
- Set of modules ACR matched available.

ORDERING OPTIONS

Model Number	Description
XLT2419-03AC	Leadwires
XLT2419-04AC	No Leadwires
XLT2419-05AC	Leadwires, Diced
XLT2419-07AC	Leadwires, Sealed
XLT2419-08AC	Leadwires 8 inches long
XLT2419-09AC	Leadwires, Diced, Conformal Parylene Coating
XLT2419-16AC	Leadwires, Braided, ACR and Height Matched Set of 6
XLT2419-26AC	Leadwires, Sealed, Leadwire Sealed, ACR and Height Matched Set of 6

OPERATION CAUTIONS

For maximum reliability, storage and operation below 125°C in a non-condensing environment is recommended. To minimize thermal stress, use linear/proportional temperature control or a similar method rather than an ON/OFF method.

INSTALLATION

Recommended mounting method: Clamp with uniform pressure to a flat surface with thermal interface material. For additional information, please refer to our TEC Installation Guide.

II-VI Marlow – Dallas, TX USA
214-340-4900
877-627-5691
marlow.sales@ii-vi.com

Marlow Industries Europe
GmbH - Germany
+49 (0) 6150 5439 - 403
info@marlow-europe.eu

II-VI Japan Inc.
81 43 297 2693 (tel)
center@ii-vi.co.jp
www.ii-vi.co.jp

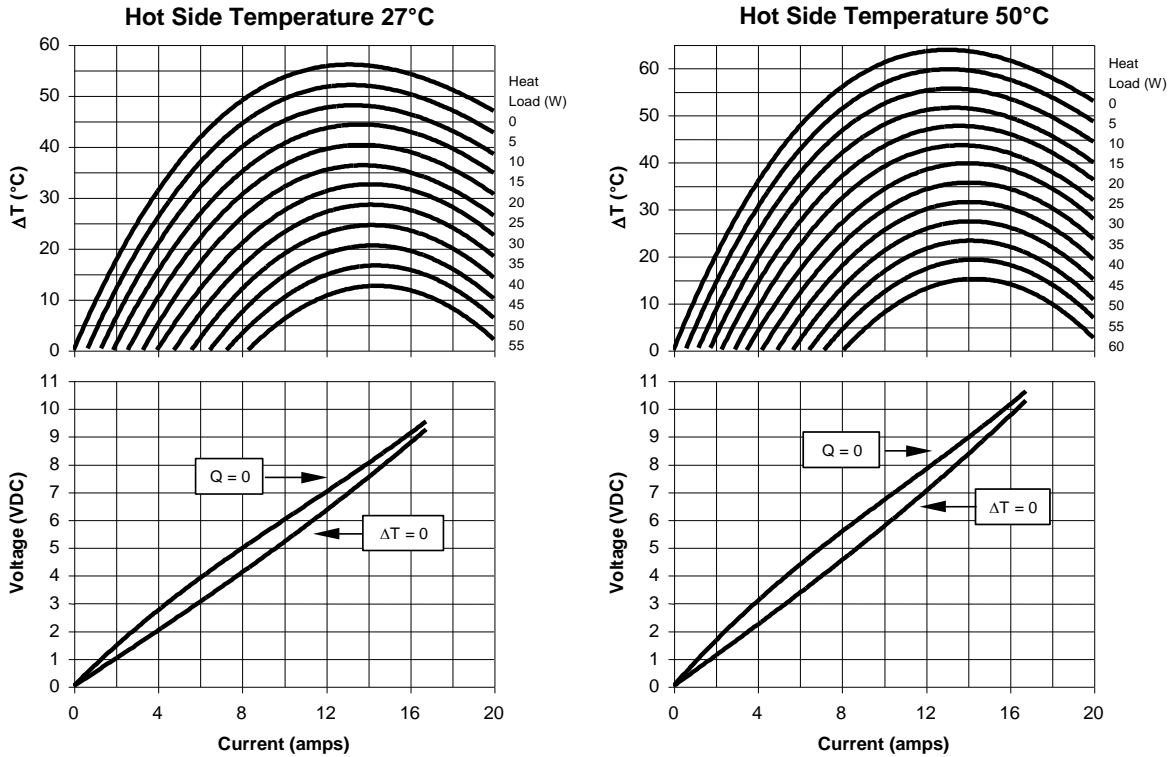
II-VI Singapore Pte., Ltd.
(65) 6481 8215 (tel)
info@ii-vi.com.sg

Marlow Industries China, II-VI
Technologies Beijing
86-10-643 98226
info@iivibj.com



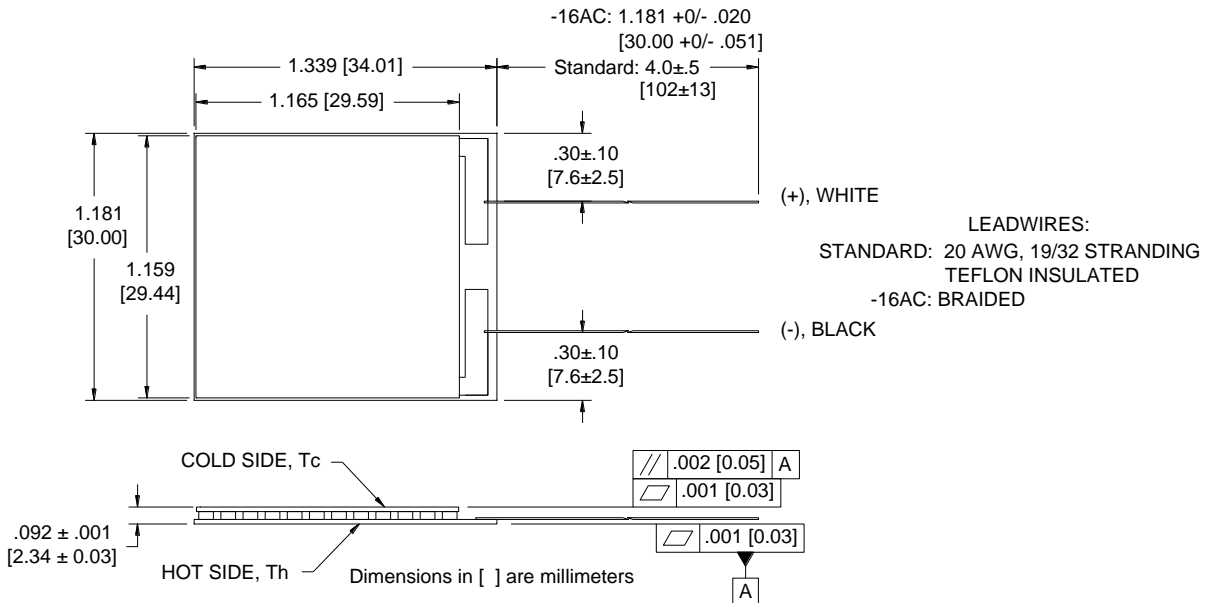
TYPICAL PERFORMANCE CURVES

ENVIRONMENT: ONE ATMOSPHERE DRY NITROGEN



For performance information in a vacuum or with hot side temperatures other than 27°C or 50°C, contact one of our Applications Engineers at 877-627-5691.

MECHANICAL CHARACTERISTICS



For customer support or general questions please contact a local office or visit our website at www.marlow.com.
 Marlow reserves the right to make product changes without notice.