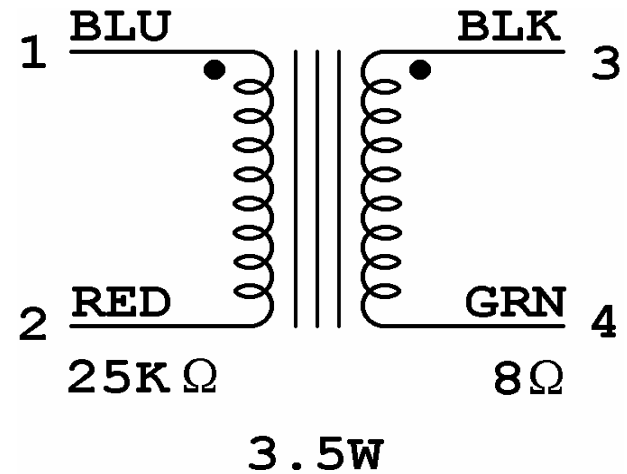
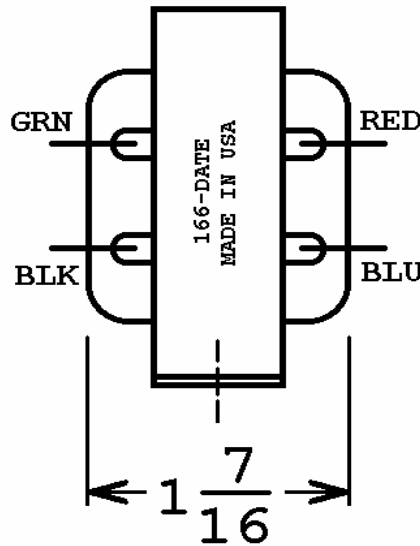
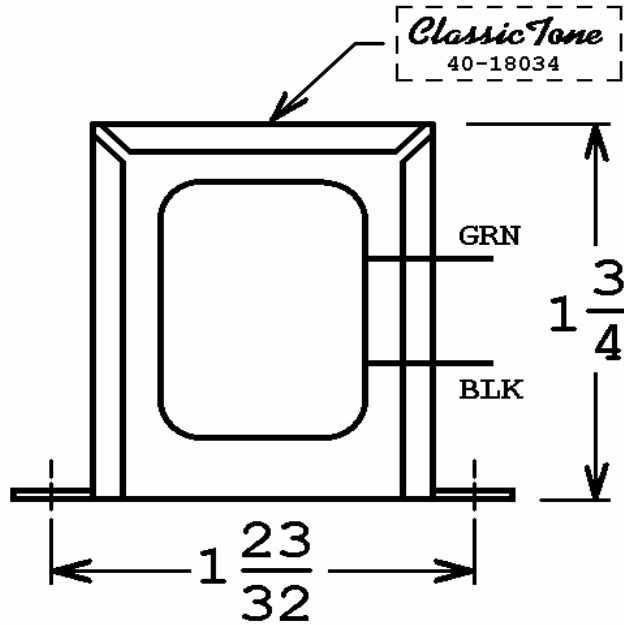


40-18034

This drawing is the property of Magnetic Components, Inc. and shall not be reproduced, in whole or in part, without the written permission of Magnetic Components, Inc.

REVISIONS			
LTR	DESCRIPTION	DATE	APPROVED
A	ADD ClassicTone	01/08/10	M. Sacketti



FENDER P/N :
022921

UNLESS OTHERWISE SPECIFIED		SIGNATURES		DATE	MAGNETIC COMPONENTS, INC.		DIV :		
ALL DIMENSIONS IN INCHES DO NOT SCALE DRAWING		DRAWN : <i>M.S.</i>		17 SEP 09	TITLE REVERB DRIVER		LOC : SCHILLER PK		
		CHECK :							
FRACTIONS +/-		APPR : <i>M. Sacketti</i>		17 SEP 09	CAGE	50508	SIZE	PART No.	REV
.X = +/-							A	40-18034	A
.XX = +/-									
.XXX = +/-					SCALE		NONE		
ANGLES = +/-							SHEET :		