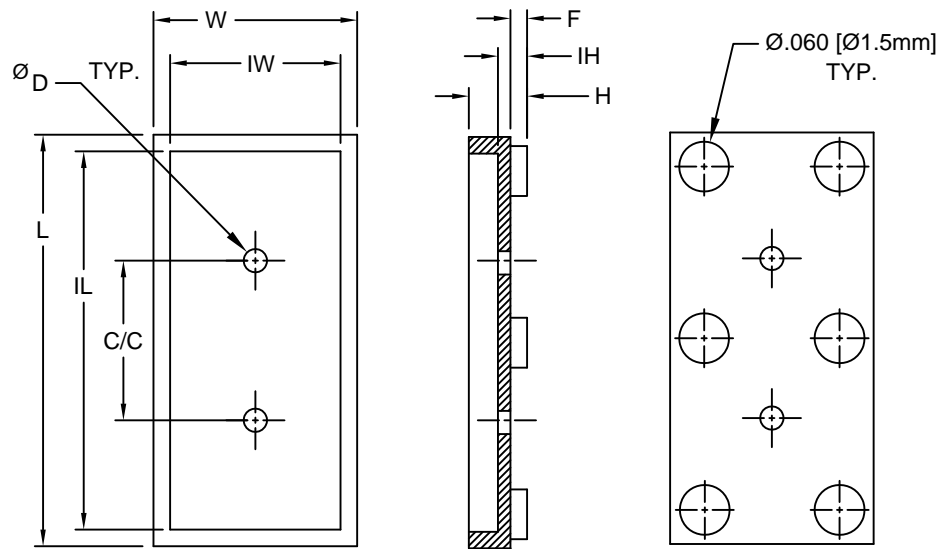



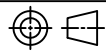
REV.	DESCRIPTION	DATE	APPROVED
B	Engineering Update w/o Changes	02/23/04	M. C.
C	Typo Correction	04/06/05	M. C.
D	Removed P/Ns	02/27/15	J. C.
E	Removed P/Ns	05/06/15	J. C.
F	Removed Material Code	05/22/16	J. C.



PART NO.	L	IL	W	IW	C/C	D	IH	F	H
470-015	.495 (12.6mm)	.455 (11.6mm)	.245 (6.2mm)	.205 (5.2mm)	.192 (4.9mm)	.028 (.71mm)	.015 (.38mm)	.000 (0.0mm)	.050 (1.3mm)
470-025							.025 (.64mm)	.010 (.25mm)	.060 (1.5mm)
470-035							.035 (.89mm)	.020 (.51mm)	.070 (1.8mm)
470-045							.045 (.71mm)	.030 (.76mm)	.080 (2.0mm)
471-015	.495 (12.6mm)	.455 (11.6mm)	.245 (6.2mm)	.205 (5.2mm)	.192 (4.9mm)	.050 (1.3mm)	.015 (.38mm)	.000 (0.0mm)	.050 (1.3mm)
471-025							.025 (.64mm)	.010 (.25mm)	.060 (1.5mm)
471-035							.035 (.89mm)	.020 (.51mm)	.070 (1.8mm)
471-045							.045 (.71mm)	.030 (.76mm)	.080 (2.0mm)

2. MATERIAL: NYLON 6/6, 94V-2, WHITE.

1. GENERAL SPECIFICATIONS: BIVAR MOLDED COMPONENT SPECIFICATION BV00-E101.

STANDARD TOLERANCE ( UNLESS OTHERWISE SPECIFIED )		 <b>BIVAR</b> <sup>®</sup> 4 THOMAS, IRVINE, CA. 92618 TEL: (949) 951-8808 FAX: (949) 951-3974			
DECIMALS	ANGULAR				
.X ± .1	X° ± 1°	 <b>TITLE:</b> CRYSTAL MOUNT SERIES			
.XX ± .01					
.XXX ± .005		DESIGNED: <b>M. Chen</b>	DATE: <b>03/10/03</b>	<b>PART NO:</b> 47X-XXX	REVISION: <b>F</b>
		CHECKED: <b>D. Green</b>	DATE: <b>03/10/03</b>		<b>CAGE CODE : 32559</b>
CAD GENERATED DOCUMENT. DO NOT MEASURE DRAWING.					