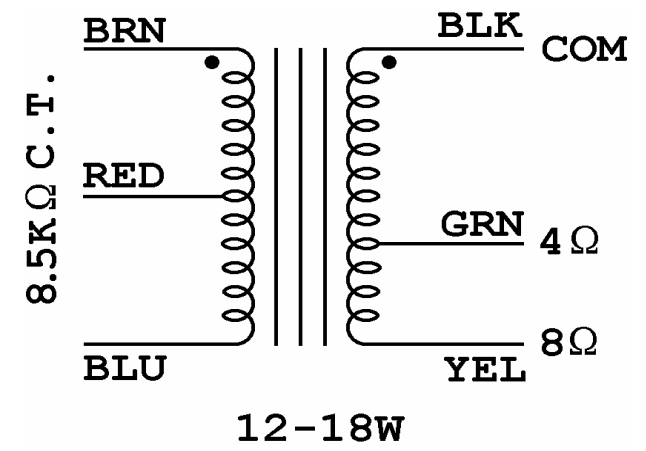
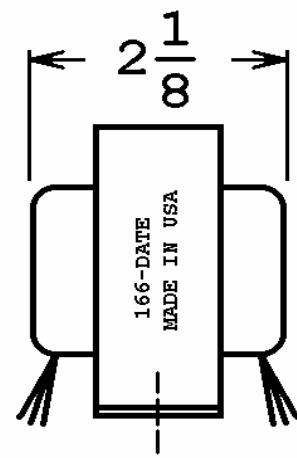
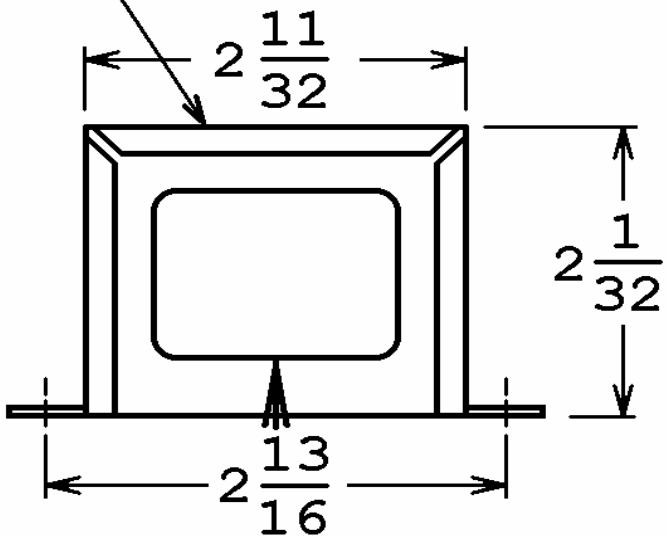


This drawing is the property of Magnetic Components, Inc. and shall not be reproduced, in whole or in part, without the written permission of Magnetic Components, Inc.

REVISIONS			
LTR	DESCRIPTION	DATE	APPROVED

Classic Tone™
By Magnetic Components, Inc.
40-18045



CHAMP II
PRINCETON
PRINCETON REVERB
SUPER CHAMP

UNLESS OTHERWISE SPECIFIED		SIGNATURES		DATE		MAGNETIC COMPONENTS, INC.		DRAWING No. : OOA-85314	
ALL DIMENSIONS IN INCHES DO NOT SCALE DRAWING		DRAWN : <i>Mef</i>		27 OCT 10		TITLE		DIV : LOC : SCHILLER PK	
FRACTIONS +/-		CHECK :				OUTPUT TRANSFORMER			
.X = +/-		APPR : <i>Molacketa</i>		27 OCT 10		CAGE 50508		SIZE PART No.	
.XX = +/-						SCALE NONE		A 40-18045	
.XXX = +/-								REV -	
ANGLES = +/-								SHEET :	