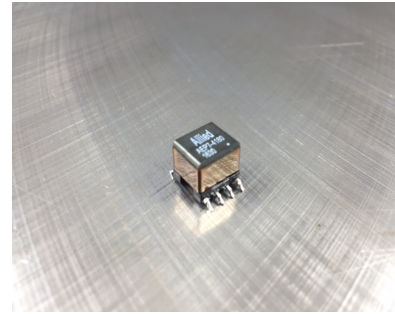




EP7 Transformer

AEP7-4180

- EP7 Package in SMD
- Operating Temperature: -40°C to +125°C
- Reflow Condition:
Maximum reflow temperature is 250°C/-5°C, time is 20~40 sec. (Refer to IPC/ JEDEC J-STD-020C standard).



Specifications @ 25°C

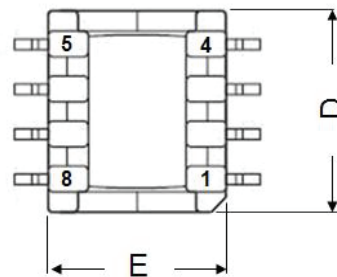
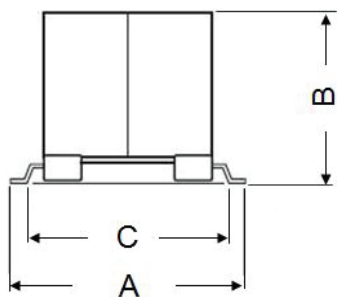
Inductance Ls @100KHz, 1V Idc=0A (1 - 4)	Inductance Ls @100KHz, 1V Idc= 5A (1 - 4)	Leakage Inductance Ls @100KHz, 1V, tie 5+6+7+8 (1 - 4)	Hi-Pot @2sec, 0.5mA Pri to Sec	Insulation Resistance @500Vdc Pri to Sec
8uH (±10%)	LOA*90% Min	1uH Max	625Vac	100mΩ Max

Specifications @ 25°C

Turns Ratio @10KHz, 1V (1 - 4) : (8 - 5)	DCR (1 - 4)	DCR (8 - 7)	DCR (7 - 6)	DCR (6 - 5)
1 : 3 (±3%)	85mΩ Max	240mΩ Max	280mΩ Max	340mΩ Max

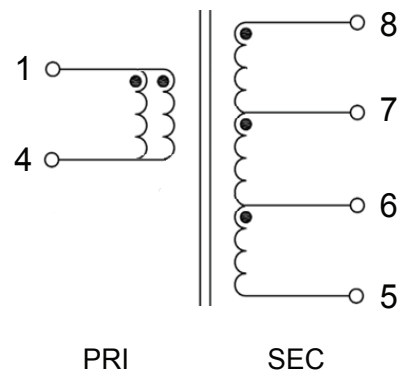
All specifications subject to change without notice.

Dimension

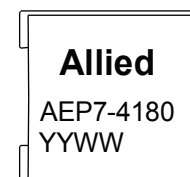


A	13.00 Max
B	9.20 Max
C	11.10 Ref
D	10.00 Max
E	8.80 Max
F	2.54 ± 0.10
G	0.60 ± 0.10
Unit : mm	

Schematic



Marking



Remark:
YYWW=DATE CODE, YY=YEAR; WW=WEEK