

Han 16 HPR Mounting Frame

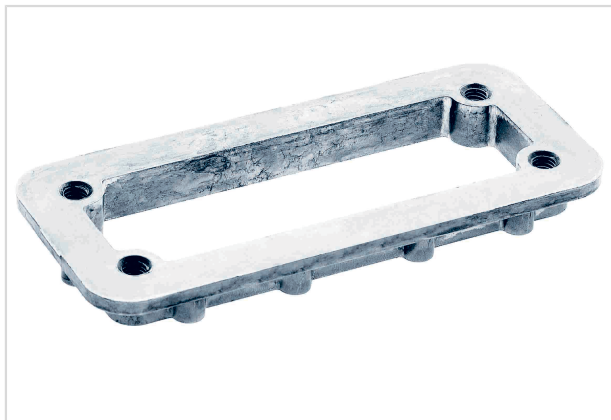


Image is for illustration purposes only. Please refer to product description.

Part number	09 40 000 9903
Specification	Han 16 HPR Mounting Frame
HARTING eCatalogue	https://b2b.harting.com/09400009903

Identification

Category	Accessories
Type of accessory	Mounting frames
Description of the accessory	Han [®] HPR Thread M6

Version

Size	16 HPR
------	--------

Material properties

Material (accessories)	Aluminium die-cast
RoHS	compliant
ELV status	compliant
China RoHS	e
REACH Annex XVII substances	Not contained
REACH ANNEX XIV substances	Not contained
REACH SVHC substances	Not contained
California Proposition 65 substances	Yes

Commercial data

Packaging size	1
Net weight	77.74 g
Country of origin	Germany
European customs tariff number	85389099



Pushing Performance
Since 1945

Commercial data

GTIN	5713140056800
eCl@ss	27440210 Fixing element for industrial connectors