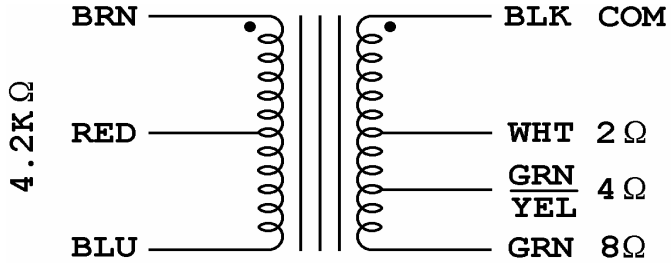
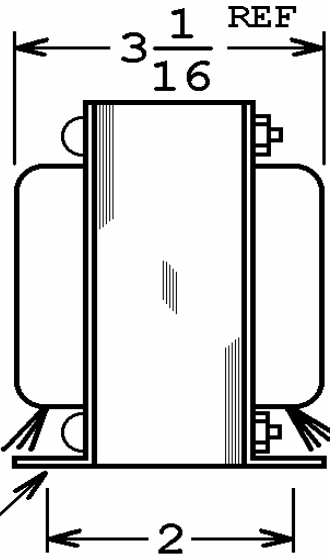
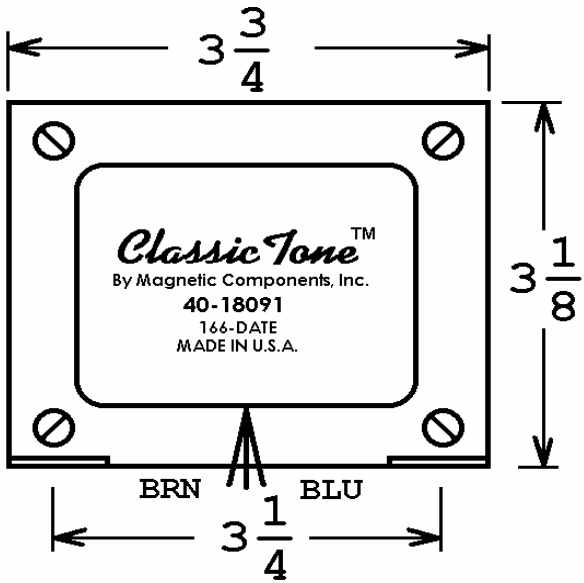


This drawing is the property of Magnetic Components, Inc. and shall not be reproduced, in whole or in part, without the written permission of Magnetic Components, Inc.

| REVISIONS | | | |
|-----------|-------------|------|----------|
| LTR | DESCRIPTION | DATE | APPROVED |



$\frac{7}{32} \times \frac{3}{8}$ SLOT (4PL)

| | | | | | | | |
|--|----------------------------|--|-------------|------------------------------------|----------|----------------------------|-----|
| UNLESS OTHERWISE SPECIFIED ALL DIMENSIONS IN INCHES DO NOT SCALE DRAWING FRACTIONS +/- .X = +/- .XX = +/- .XXX = +/- ANGLES = +/- | SIGNATURES | | DATE | MAGNETIC COMPONENTS, INC. | | DIV : LOC : SCHILLER PK | |
| | DRAWN : <i>[Signature]</i> | | 14 MAR 2012 | TITLE 50/60W OUTPUT TRANSFORMER | | | |
| | CHECK : | | | | | | |
| | APPR : <i>[Signature]</i> | | 14 MAR 2012 | CAGE | SIZE | PART No. | REV |
| | | | SCALE | A | 40-18091 | - | |
| | | | | NONE | | SHEET : | |