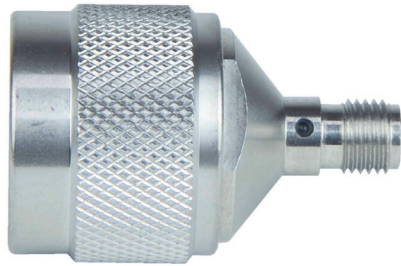


N Male to SMA Female Adapter, 18 GHz, 50 Ω

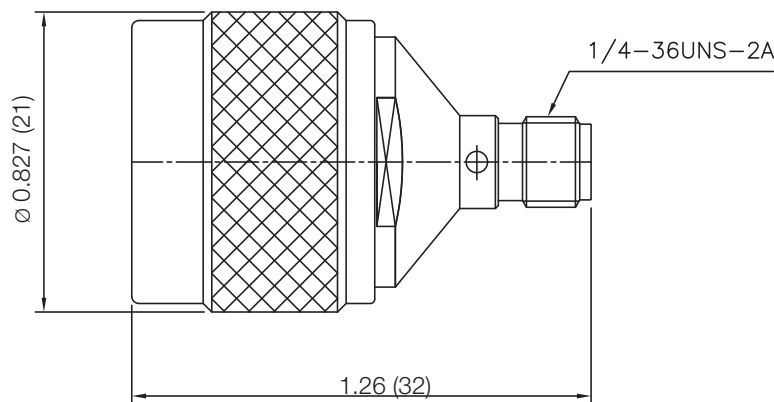
CT3320A



Features:

- Instrument grade
- RoHS 2 compliant
- Meets MIL-STD-202
 - Method 101, Cond. B (Corrosion)
 - Method 106 (Moisture)
 - Method 107, Cond. B (Thermal Shock)
 - Method 204, Cond. D (Vibration)
 - Method 213, Cond. I (Shock)

Measurement Drawing: (not to scale)



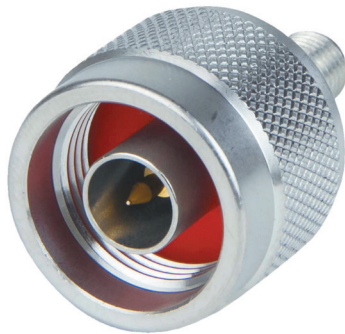
Specifications:

- Impedance - 50 Ω
- Frequency - DC to 18 GHz
- Contact current - 2 A max
- Working voltage - 480 Vrms
- Insertion loss - $\leq 0.03 \times \sqrt{f(\text{GHz})}$ dB
- Center contact resistance
 - N side - $\leq 1 \text{ m}\Omega$
 - SMA side - $\leq 3 \text{ m}\Omega$
- VSWR - 1.20:1

Order Information:

CT3320A

N Male to SMA Female Adapter, 18GHz, 50 Ω



Contact Info:

Toll Free: 800-572-1028 (US Only)

Phone: 714-221-9330

Fax: 714-921-9849

22820 Savi Ranch Parkway

Yorba Linda, CA 92887-4610 USA

www.caltestelectronics.com

CE

Copyright © 2019, Cal Test Electronics, Inc. All rights reserved. Information in this publication supersedes that in all previously published material. Trade names referenced are the service marks, trademarks or registered trademarks of their respective companies.

*Specifications and appearance subject to change without notice
D3320A0 053119*

2 - www.caltestelectronics.com

Cal Test
ELECTRONICS 