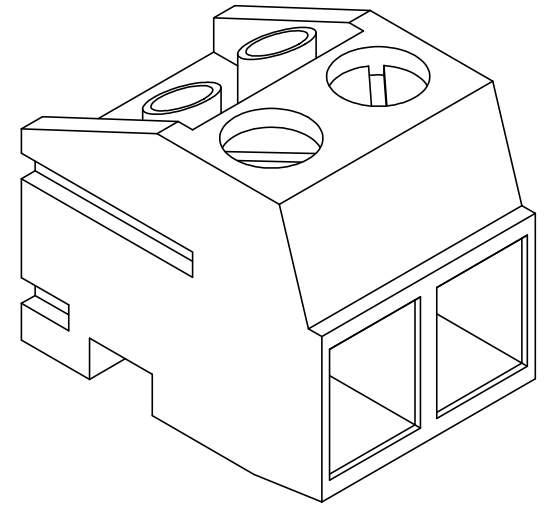
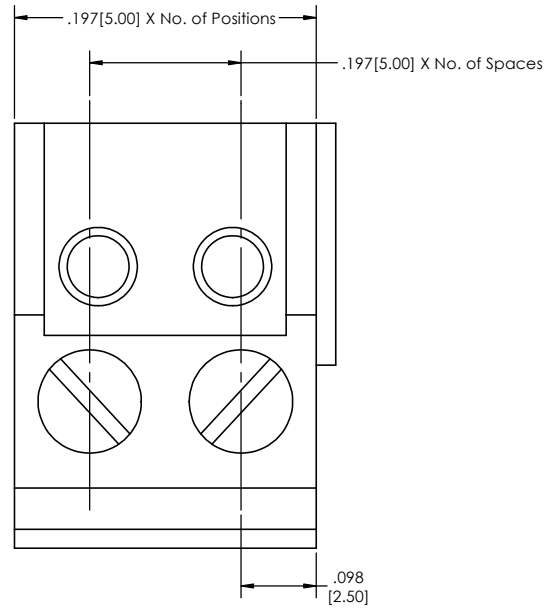
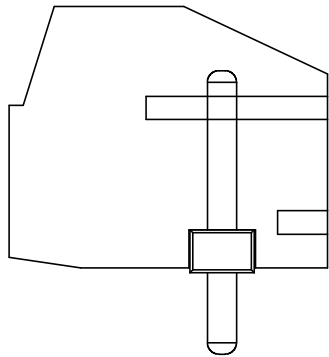


**APPLICATION**



TBW - 11 - **197** - **XX** - **XX** - **LF**  
**(A) (B) (C) (D)**

- A. Pitch - 197= .197(5.00) cl
- B. No. of Positions - 02-24
- C. Color

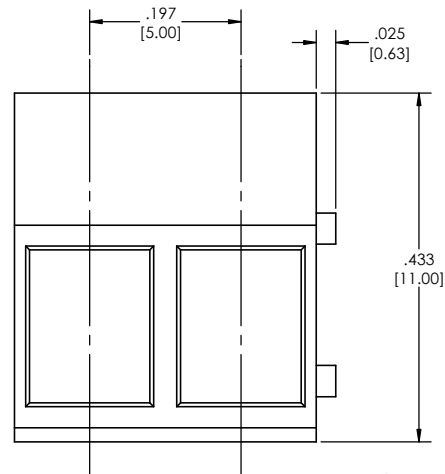
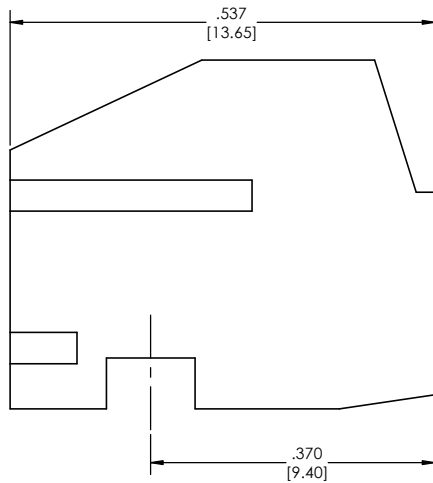
Mates With:  
TBWH-11-197-XX-XX-LF

- GR= Green (Standard)
  - BK= Black
  - BL= Blue
  - WH= White
  - GY= Grey
  - OR= Orange
  - YW= Yellow
  - RD= Red
  - BR= Brown
- D. Lead Free

**Specifications:**  
 Current Rating: 10 Ampere  
 Voltage Rating: AC 250V  
 Wire Range: 14-24 AWG  
 Insulation Resistance: DC 500V 500M ohms  
 Dielectric Withstanding Voltage: AC 2500V/1 minute  
 Operation Temperature: -33°C to +105°C  
 Strip Length: .197-.236 (5-6mm)  
 Max. Torque: 3.04 lb-in (3.5kgf. cm)

- Materials:**
1. Body: PA66 (Nylon), UL94 V-0
  2. Screw: M2.5\*P0.45, C1018 Steel, Zinc Plated
  3. Terminal: Brass, Nickel Plated
  4. Contact: Phosphor Bronze, Tin Plated

Tails may be clipped to achieve specific dimensions.  
 Products cut to specific sizes are uncancellable/ nonreturnable.  
 Parts are subject to change without notice.



**PROPRIETARY AND CONFIDENTIAL**  
 THE INFORMATION CONTAINED IN THIS DRAWING IS THE SOLE PROPERTY OF Major League Electronics. ANY REPRODUCTION IN PART OR AS A WHOLE WITHOUT THE WRITTEN PERMISSION OF Major League Electronics IS PROHIBITED.

|                                      |  |                                                   |  |              |  |
|--------------------------------------|--|---------------------------------------------------|--|--------------|--|
| UNLESS OTHERWISE SPECIFIED:          |  | NAME                                              |  | DATE         |  |
| DRAWN                                |  | EOW                                               |  | 04/16/14     |  |
| CHECKED                              |  | GWE                                               |  | 04/16/14     |  |
| ENG APPR.                            |  |                                                   |  |              |  |
| MFG APPR.                            |  |                                                   |  |              |  |
| INTERPRET GEOMETRIC TOLERANCING PER: |  | ADDRESS:                                          |  |              |  |
| MATERIAL                             |  | 2533 Centennial Blvd.<br>Jeffersonville, In 47130 |  |              |  |
| FINISH                               |  | Phone: 812-670-4174                               |  |              |  |
| NEXT ASSY USED ON                    |  | Fax: 812-670-4175                                 |  |              |  |
| APPLICATION                          |  | E-Mail: mle@mlelectronics.com                     |  |              |  |
| DO NOT SCALE DRAWING                 |  | TITLE: TBW-11-197 Series                          |  | REV          |  |
|                                      |  | SIZE DWG. NO.                                     |  | A            |  |
|                                      |  | SCALE 8:1                                         |  | SHEET 1 OF 1 |  |

