



## MINI-CL4-20

**0.01% Super Accurate  
Loop powered Mini meter**

**3 1/2 Digit 0.276" (7mm) LED**

### General Features

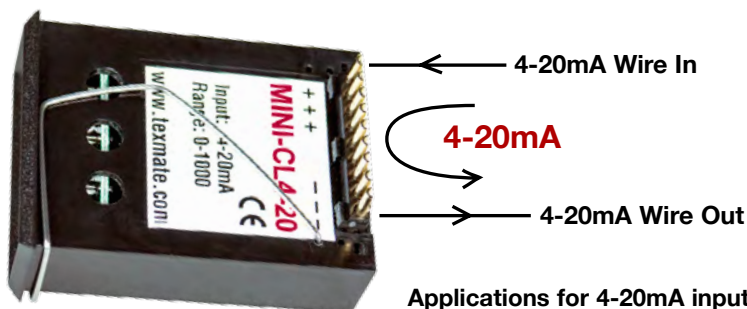
The Texmate MINI-CL4-20 is a miniature loop powered LED digital panel meter. The small size is an advantage especially in the process industry where space is often critical.

The MINI-CL4-20 is designed also for OEM's in the medical and scientific instrument field where small size and exceptional performance are important. This meter, although small, is very advanced and uses all surface mount technology.

The MINI-CL4-20 comes standard 0 to 1000 full scale. It can be factory scaled to read output in any engineering unit from 0 to 1999. No decimal point is set on the standard meter, but one may be specified when ordering.

### Typical Application Connections

The MINI-CL4-20 is internally connected and factory calibrated for current loop measurement. To connect the meter to the user's system, two wires are required. Connect the 4-20mA In wire on the first pin marked "+", and connect the 4-20mA Out wire on the last pin marked "-".



Applications for 4-20mA input include pressure, temperature, level, flow and other process measurements.

OEM Applications include CATV systems, medical and scientific instruments, SCADA and wastewater systems.

### Specifications

- Loop Drop:** ..... Approximately 7V
- Accuracy:** ..... 0.01% of reading,  $\pm 1$  count.
- Connection:**..... Meter is supplied with matching 8-pin male connector. Leads exit downward.
- Warm Up Time:** ..... 2 minutes
- Display:**..... 0.276" (7mm), Red, Green or Blue LED
- Sample Rate:**..... 1/second
- Decimal Point:** ..... No decimal point set on std. meter. If decimal point is required, specify at time of order.
- Power Supply:** ..... No separate power supply is required. The meter is powered from the 4-20mA current loop.
- Operating Temperature:** . -10 to 60 °C. Typical max 50ppm for 75%.
- Temperature Coefficient:**  $\pm 100$ ppm / °C
- Storage Temperature:** . -20 to 70 °C
- Relative Humidity:** ..... 95% (non-condensing)
- Case Dimensions:** ..... 1.38"Wx0.5"Hx1.77"D (35x12.7x45mm)  
Front Bezel 1.46"x0.59" (37x15mm)  
Panel cutout 1.38"x0.5" (35x12.7mm)
- Weight:** ..... 0.64 oz (19gms)

### Special Scaling

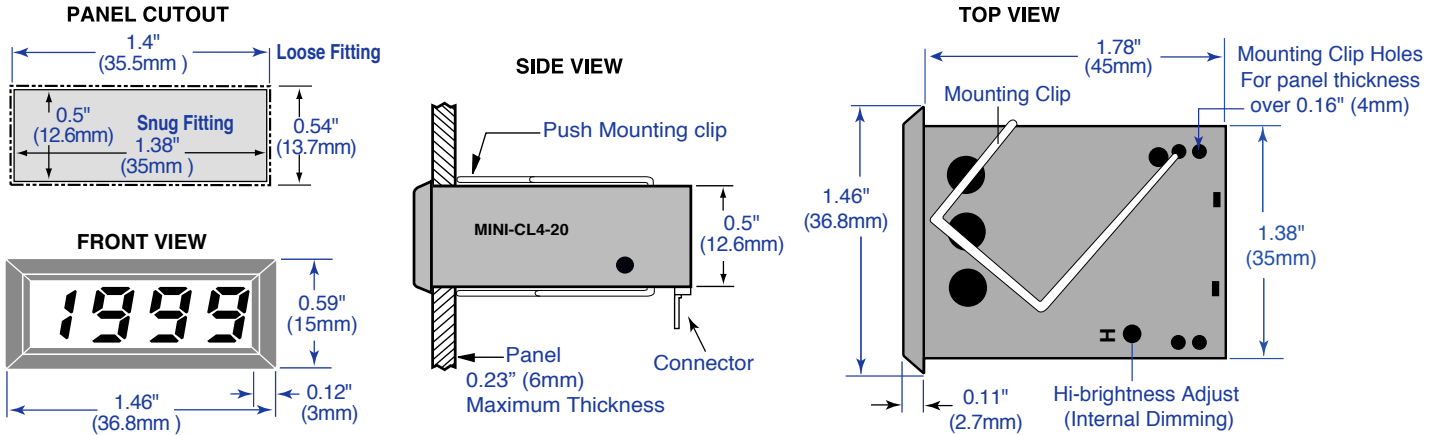
The following ranges are available by ordering part number ZSMINI420 for special scaling from the factory. Other ranges on request.

0-200	0-360	0-700	0-1250
0-250	0-500	0-800	0-1500
0-300	0-600	0-900	0-1750
			0-1999

### MINI-Series



# DVM Case Dimensions and Panel Cutouts



## Ordering Information

### Standard Options for this Model Number

Part Number	Description
-------------	-------------

#### ► BASIC MODEL NUMBER

MINI-CL4-20 ..... 3.5 digit Red LED, Loop Powered, 4-20mA input (1000) . . .

### ► SPECIAL OPTIONS (Specify Inputs or Outputs & Req. Reading)

ZSMINI420 ..... Special Scale change . . . . .

Many other options and accessories are available. Visit [www.texmate.com](http://www.texmate.com) for more details.

## MINI Series, mini size and mighty performance

MINI-5VDIM ..... 3.5 digit Red LED, 5VDC Power, 2/20/200 VDC, Dimmable  
 MINI-CL4-20 ..... 3.5 digit Red LED, Loop Powered, 4-20mA input (1000)

### WARRANTY

Texmate warrants that its products are free from defects in material and workmanship under normal use and service for a period of one year from date of shipment. Texmate's obligations under this warranty are limited to replacement or repair, at its option, at its factory, of any of the products which shall, within the applicable period after shipment, be returned to Texmate's facility, transportation charges pre-paid, and which are, after examination, disclosed to the satisfaction of Texmate to be thus defective. The warranty shall not apply to any equipment which shall have been repaired or altered, except by Texmate, or which shall have been subjected to misuse, negligence, or accident. In no case shall Texmate's liability exceed the original purchase price. The aforementioned provisions do not extend the original warranty period of any product which has been either repaired or replaced by Texmate.

### USER'S RESPONSIBILITY

We are pleased to offer suggestions on the use of our various products either by way of printed matter or through direct contact with our sales/application engineering staff. However, since we have no control over the use of our products once they are shipped, **NO WARRANTY WHETHER OF MERCHANTABILITY, FITNESS FOR PURPOSE, OR OTHERWISE** is made beyond the repair, replacement, or refund of purchase price at the sole discretion of Texmate. Users shall determine the suitability of the product for the intended application before using, and the users assume all risk and liability whatsoever in connection therewith, regardless of any of our suggestions or statements as to application or construction. In no event shall Texmate's liability, in law or otherwise, be in excess of the purchase price of the product.

Texmate cannot assume responsibility for any circuitry described. No circuit patent or software licenses are implied. Texmate reserves the right to change circuitry, operating software, specifications, and prices without notice at any time.



1934 Kellogg Ave., Carlsbad, CA 92008  
 Tel: 1-760-598-9899 • 1-800-TEXMATE  
 • Email: [orders@texmate.com](mailto:orders@texmate.com)

*MINI-CL4-20 Technical Manual Copyright © 2019 Texmate Inc. All rights reserved. Published by: Texmate Inc. USA. Information in this Technical Manual is subject to change without notice due to correction or enhancement. The information described in this manual is proprietary to Texmate, Inc. and may not be copied, reproduced or transmitted, in whole or in part, in connection with the design, manufacture, or sale of apparatus, device or private label product without the express written consent of Texmate, Inc.*