

12" - 50W Vintage Ceramic Loudspeaker

C 12 R - 8 Ω

Code ZJ06090

GENERAL CHARACTERISTICS

| | | |
|-----------------------------------|------|----|
| Nominal Overall Diameter | 306 | mm |
| Nominal Voice Coil Diameter | 25 | mm |
| Magnet Weight | 270 | g |
| Flux Density..... | 1.00 | T |
| Weight..... | 1.38 | Kg |

THIELE-SMALL PARAMETERS

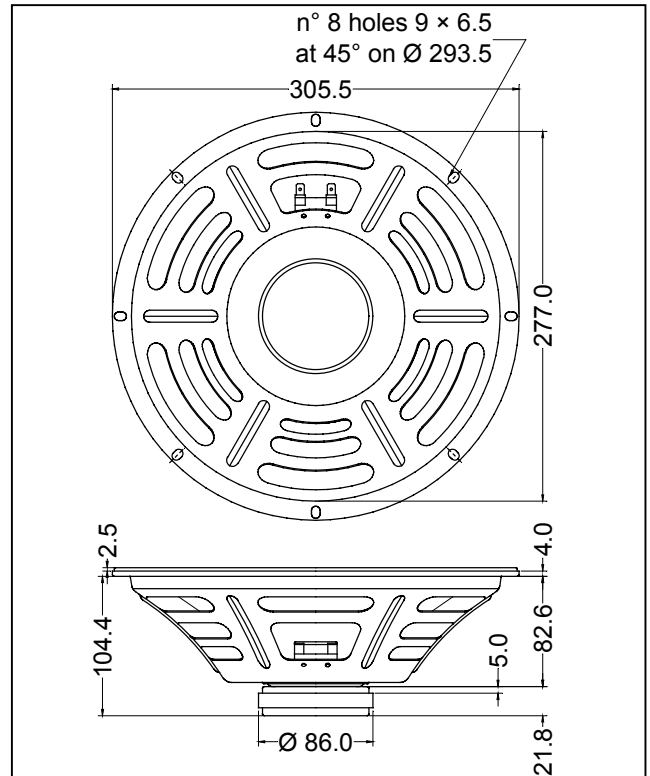
| | | | |
|------------------------------------|--------------|--------|-----------------|
| Voice Coil DC Resistance | R_E | 6.50 | Ω |
| Resonance Frequency | f_s | 74.0 | Hz |
| Mechanical Q Factor..... | Q_{MS} | 21.48 | |
| Electrical Q Factor..... | Q_{ES} | 2.06 | |
| Total Q Factor | Q_{TS} | 1.88 | |
| Mechanical Moving Mass | M_{MS} | 24.6 | g |
| Mechanical Compliance | C_{MS} | 187 | μm/N |
| Force Factor | $B \times l$ | 5.98 | Wb/m |
| Equivalent Acoustic Volume..... | V_{AS} | 63.2 | lt. |
| Maximum Linear Displacement | X_{MAX} | +/-0.8 | mm |
| Reference Efficiency | η_0 | 1.20 | % |
| Diaphragm Area | S_D | 490.8 | cm ² |
| Losses Electrical Resistance..... | R_{ES} | 67.0 | Ω |
| Voice Coil Inductance @ 1kHz | L_E | 0.49 | mH |

CONSTRUCTIVE CHARACTERISTICS

| | |
|-------------------------|---------------------|
| Magnet..... | Ferrite |
| Voice Coil Winding..... | Copper |
| Voice Coil Former..... | Kapton |
| Cone | Paper |
| Surround..... | Paper - Integrated |
| Dust Dome | Felt |
| Basket | Pressed Sheet Steel |

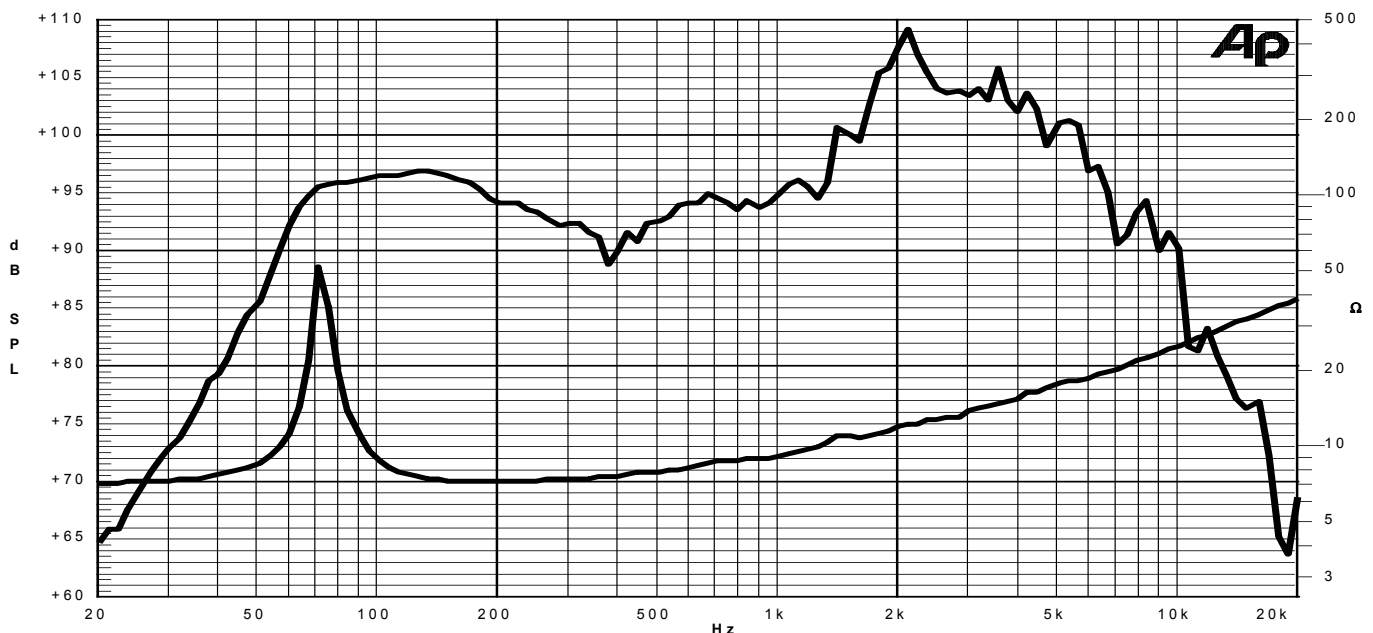
ELECTRICAL CHARACTERISTICS

| | | |
|------------------------------|------|----|
| Nominal Impedance..... | 8 | Ω |
| Musical Power | 50 | W |
| Rated Power* | 25 | W |
| Sensitivity @ 1 W, 1 m | 93.8 | dB |



*rated power measured with 2 hours test with pink noise signal, 6 dB crest factor, loudspeaker mounted on enclosure

Frequency Response on IEC Baffle (DIN 45575) @ 1 W, 1 m - Impedance



Due to continuing product improvement, the features and the design are subject to change without notice.

03/11/05