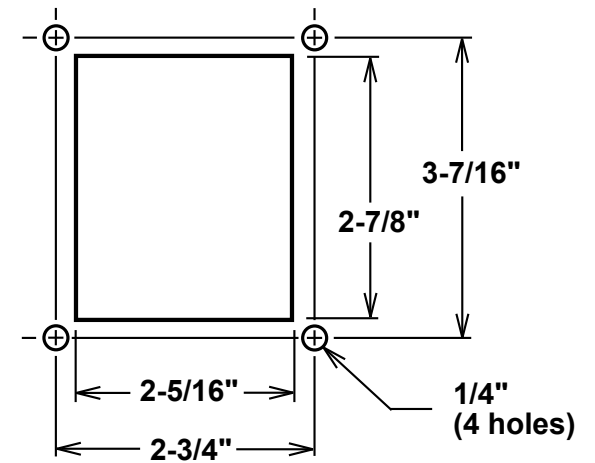
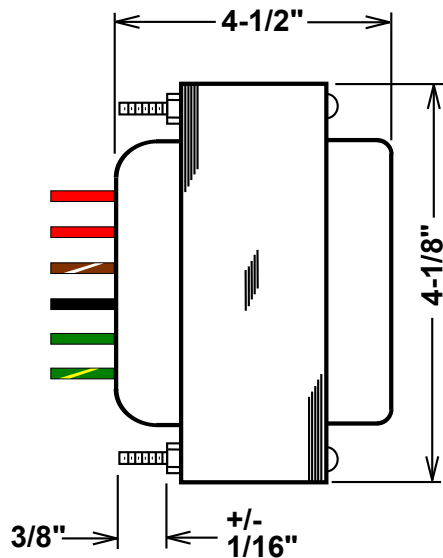
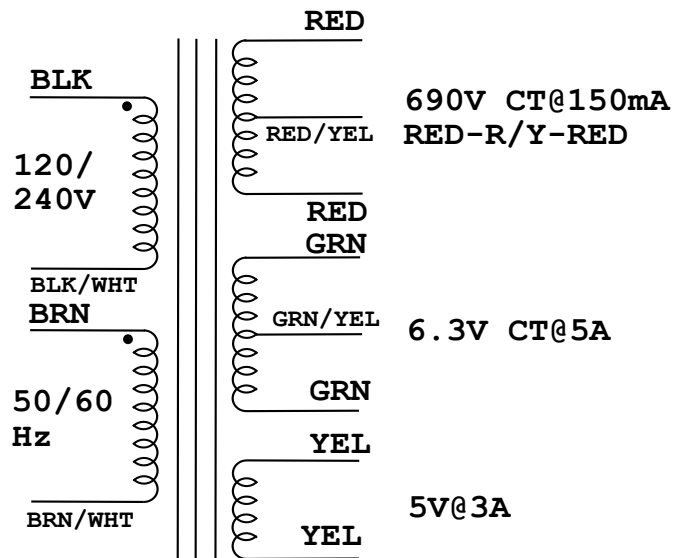


leads are 12" long



recommended cutout:

Electrical Specifications



120V: INPUT TO BLK AND BLK/WHT (CONNECT BLK TO BRN AND BLK/WHT TO BRN/WHT)

240V: INPUT TO BLK AND BRN/WHT (CONNECT BLK/WHT TO BRN)

unless otherwise stated, all physical dimensions are in inches

part number:	TR-PW-05	version:	2.0
desc:	Power Transformer, 45/50W		
application:	Power transformer, "laydown" mounting, for Marshall style JTM45/50 amps.		
date:	17 SEP 13		
drawn:	Robert Hull		
sheet:	pg 1 of 1		



ANALOG IN | TUBEDEPOT.COM