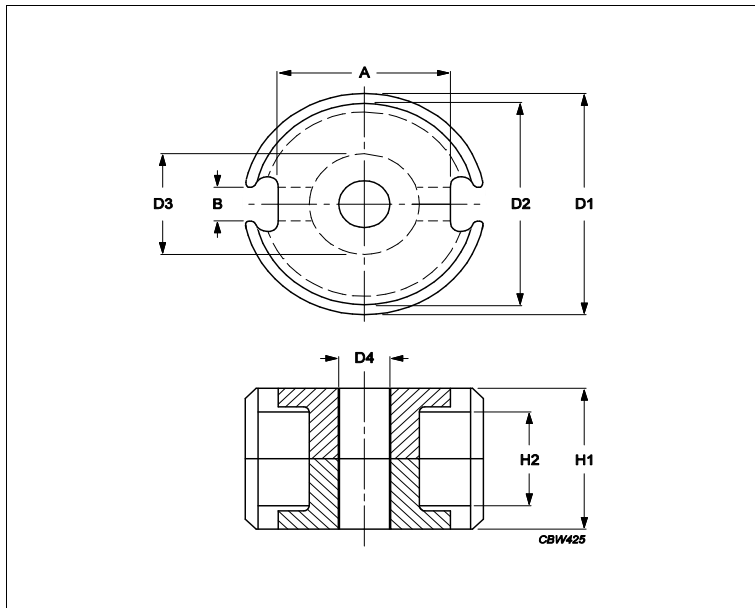


Core **P11/7**



Effective parameters			
	Parameter	Value	Unit
$\Sigma(I/A)$	core factor (C1)	0.956	mm ⁻¹
Ve	effective volume	251	mm ³
Le	effective length	15.5	mm
Ae	effective area	16.2	mm ²
Amin	minimum area	13.2	mm ²
m	P11/7	≈ 1.8	g/set

Dimensions for product: P11/7

	Nom	Tol +	Tol -	Max	Min	Unit
A	6.80	0.25	0.25	7.05	6.55	mm
B	2.20	0.30	0.30	2.50	1.90	mm
D1	11.10	0.20	0.20	11.30	10.90	mm
D2	9.00	0.40	0.00	9.40	9.00	mm
D3	4.70	0.00	0.20	4.70	4.50	mm
D4	2.10	0.10	0.10	2.20	2.00	mm
H1	6.50	0.10	0.20	6.60	6.30	mm
H2	4.40	0.30	0.00	4.70	4.40	mm

Inductance factor

Material	Value	Tol +	Tol -	Unit
3C91	2050	25%	25%	nH/turns ²
3D3	800	25%	25%	nH/turns ²
3F36	1200	25%	25%	nH/turns ²
3H3	1650	25%	25%	nH/turns ²

Power loss: 3C91

Measuring conditions			Max	Unit
100 kHz	200 mT	60 °C	0.130	W/set

Power loss: 3F36

Measuring conditions			Max	Unit
500 kHz	50 mT	100 °C	0.038	W/set
500 kHz	100 mT	100 °C	0.290	W/set

Core **P11/7**

Bsat					
Measuring conditions			Material	Min	Unit
25 kHz	250 A/m	100 °C	3C91	320	mT
25 kHz	250 A/m	100 °C	3F36	340	mT

Accessories		
Ordering name	Description	Ordering code
CLM/TP-P11/7-C	Clamp, self locking, with ground pin	432202126141
CON-P11/7	Container	432202130515
CP-P11/7-1S	Coil former, termoplastic	432202102351
CP-P11/7-1S-A	Coil former, termoplastic	433500026011
CP-P11/7-1S-C	Coil former, termoplastic	432202106741
CP-P11/7-2S-A	Coil former, termoplastic	433500026021
SPR-P11/7	Spring	432202130621
TGP-P11/7-C	Tag plante	432202104251