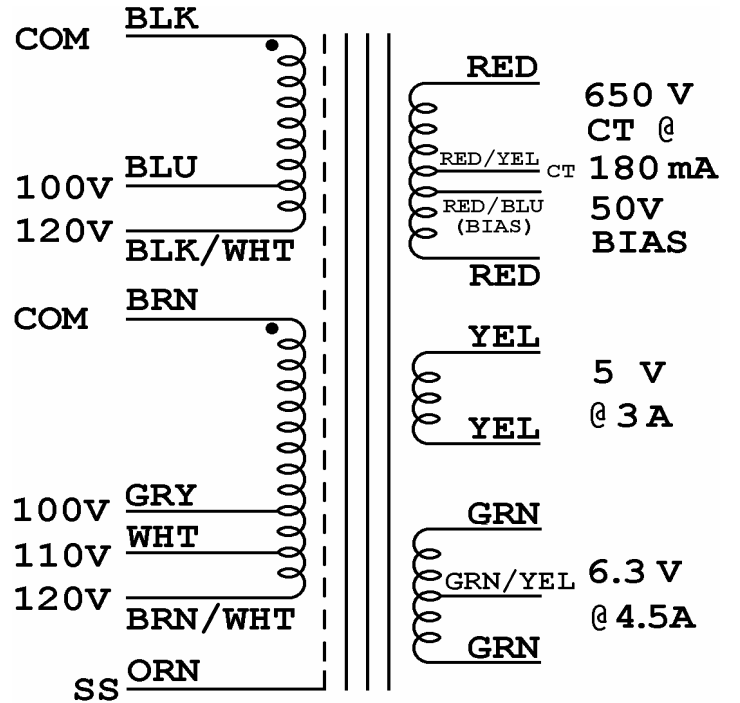
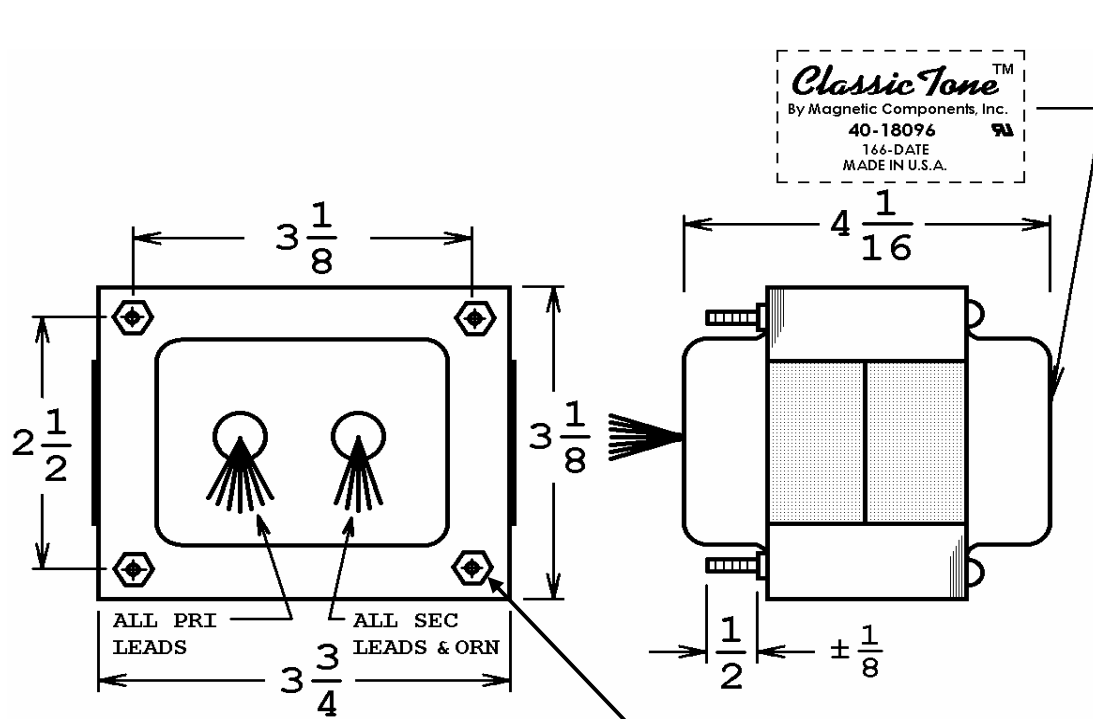


This drawing is the property of Magnetic Components, Inc. and shall not be reproduced, in whole or in part, without the written permission of Magnetic Components, Inc.

REVISIONS			
LTR	DESCRIPTION	DATE	APPROVED
A	RED/BLU WAS RED/GRN	01/04/13	M. Sacketti



USE FOUR # 8-32 HEX NUTS (NOT SUPPLIED) FOR CHASSIS MOUNTING. PLEASE DO NOT REMOVE EXISTING HEX NUTS.

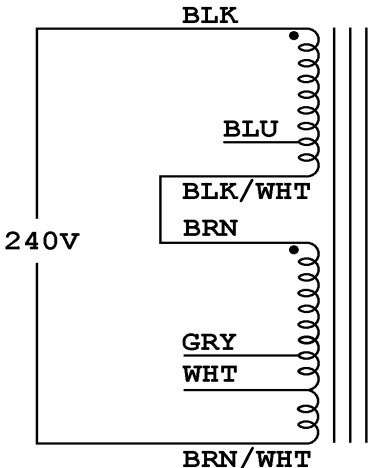
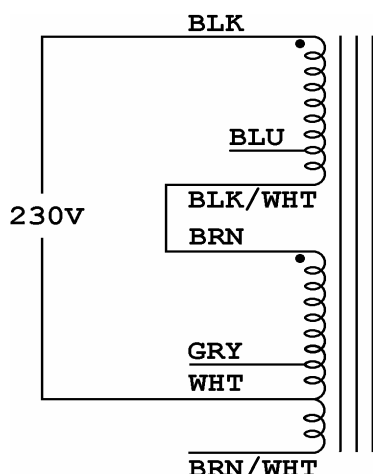
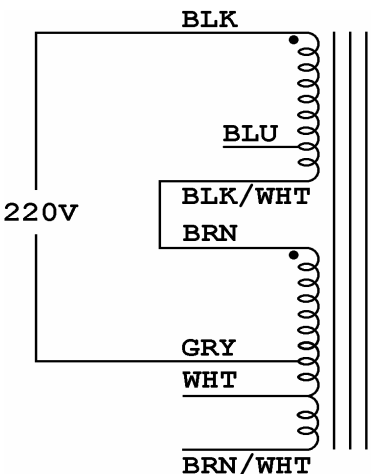
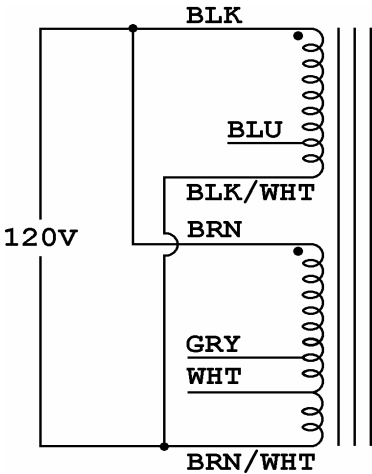
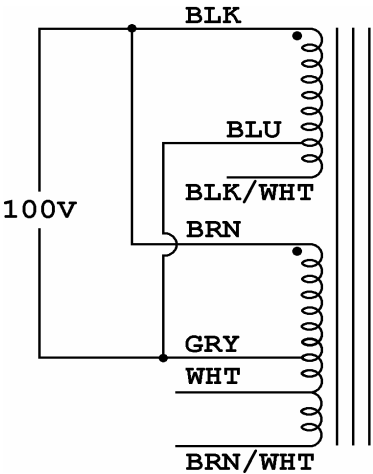
SEE SHEET 2 FOR PRIMARY CONNECTIONS

BIAS = RED/BLU-RED/YEL

UNLESS OTHERWISE SPECIFIED ALL DIMENSIONS IN INCHES DO NOT SCALE DRAWING FRACTIONS +/- .X = +/- .XX = +/- .XXX = +/- ANGLES = +/-	SIGNATURES		DATE	MAGNETIC COMPONENTS, INC.	DIV :		
	DRAWN : <i>M. Sacketti</i>		10 DEC 2012	TITLE	LOC : SCHILLER PK		
	CHECK :			POWER TRANSFORMER			
	APPR : <i>M. Sacketti</i>		10 DEC 2012	CAGE 50508	SIZE A	PART No. 40-18096	REV A
			SCALE NONE	SHEET : 1 OF 2			

This drawing is the property of Magnetic Components, Inc. and shall not be reproduced, in whole or in part, without the written permission of Magnetic Components, Inc.

REVISIONS			
LTR	DESCRIPTION	DATE	APPROVED



UNLESS OTHERWISE SPECIFIED ALL DIMENSIONS IN INCHES DO NOT SCALE DRAWING FRACTIONS +/- .X = +/- .XX = +/- .XXX = +/- ANGLES = +/-	SIGNATURES		DATE	MAGNETIC COMPONENTS, INC.		DIV : LOC : SCHILLER PK	
	DRAWN : <i>[Signature]</i>		10 DEC 2012	TITLE PRIMARY WIRING DIAGRAMS			
	CHECK :						
	APPR : <i>[Signature]</i>		10 DEC 2012	CAGE 50508	SIZE A	PART No. 40-18096	REV A
			SCALE NONE	SHEET : 2 OF 2			