



**DIMENSIONS**

Overall: 2"W x 1/2"D  
 Capillary Tube Openings: 1/8", 1/4" & 3/8"  
 Sensor / Tube Opening: 1/4"

**DESCRIPTION & FEATURES**

The Klipet Model CC-1 is a capillary clip and sensor holder made of sturdy plenum-rated nylon. It is available in black, gray or natural with the Klipet logo; custom colors and logos also available.

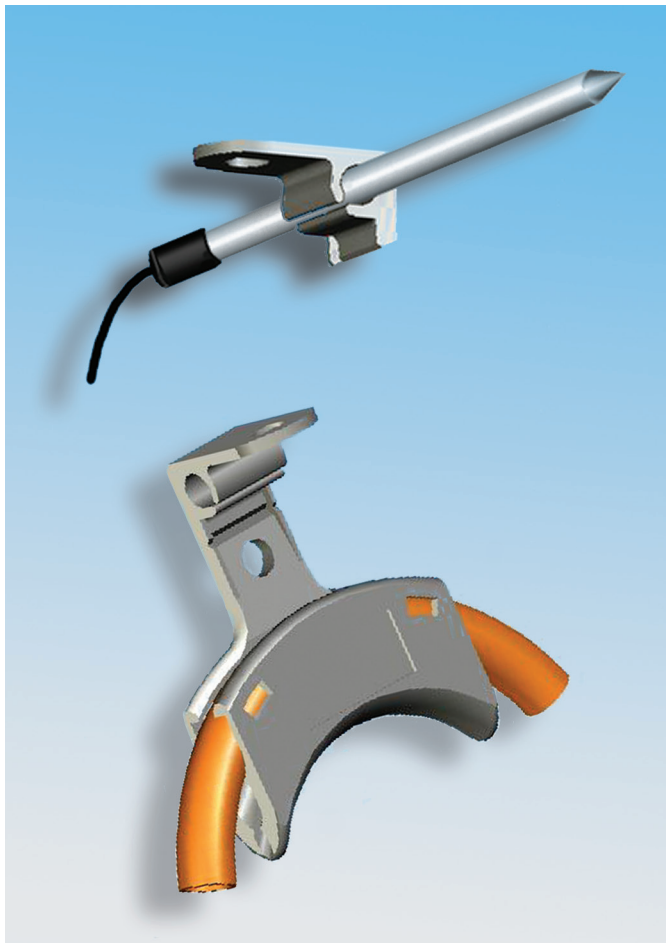
- ▶ Hold three different sizes of capillary tubing: 1/8", 1/4" or 3/8"
- ▶ Slots for tie anchors
- ▶ Inside tapered ridges allow tubing to be snapped in place
- ▶ Mounting in either horizontal or vertical planes
- ▶ Corner slot accepts 1/4" sensors
- ▶ Clips can be separated into two parts:
  - Use one as a capillary mounting clip
  - The other part can be used as a sensor mounting bracket
- ▶ Plenum rated, class 94V-2 nylon
- ▶ Available in NATURAL, GREY & BLACK

**ORDERING INFO**

**PART NUMBER**

CC1-N.....NATURAL  
 CC1-G.....GREY  
 CC1-BK.....BLACK

**Custom colors and logos available (10,000 piece minimum)**



**STURDY DESIGN  
 REPLACES  
 OLD COPPER  
 "ONE SIZE ONLY" CLIPS**



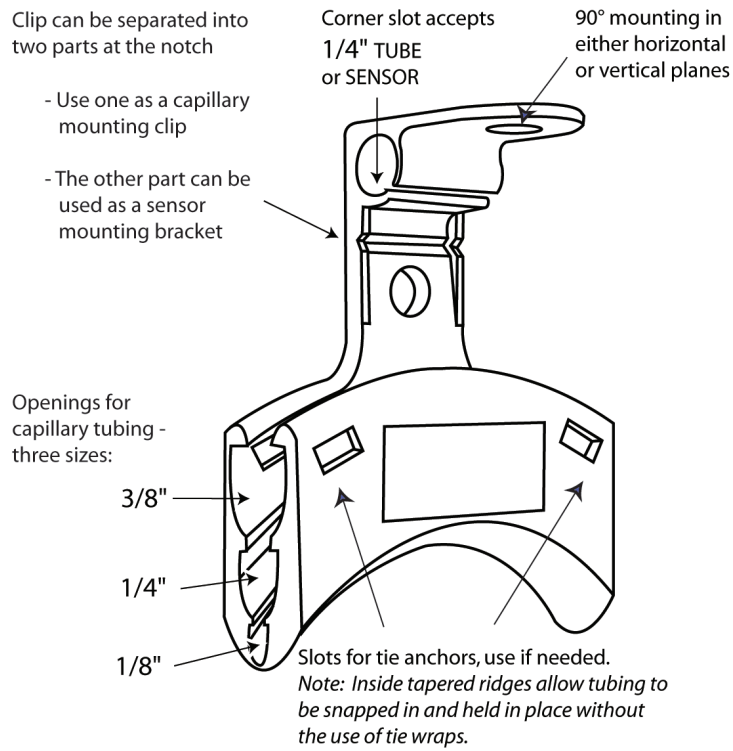
Specifications Installation and Operating Instructions

# Capillary Clip

Tubing / Cable



## DESIGN ENHANCEMENTS



## DIMENSIONS

