



Product availability: Stock - Normally stocked in distribution facility

Price\*: 420.00 USD



## Main

|                           |   |
|---------------------------|---|
| Range of Product          | Harmony Safety Automation   |
| Product or Component Type | Safety module   |
| Safety module name        | XPSBAT  |
| Safety module application | For emergency stop and protective guard applications<br>For OSSD monitoring   |
| Function of module        | Emergency stop button with 2 NC contacts<br>Guard monitoring with 1 or 2 limit switches<br>Light curtain monitoring<br>RFID switch<br>Monitoring of electro-sensitive protection equipment (ESPE)   |
| Safety level              | Can reach PL e/category 4 for normally open relay contact ISO 13849-1<br>Can reach SILCL 3 for normally open relay contact IEC 62061<br>Can reach SIL 3 for normally open relay contact IEC 61508<br>Can reach PL c/category 1 for normally closed relay contact ISO 13849-1<br>Can reach SILCL 1 for normally closed relay contact IEC 62061<br>Can reach SIL 1 for normally closed relay contact IEC 61508        |
| Safety reliability data   | MTTFd > 30 years ISO 13849-1<br>Dcavg >= 99 % ISO 13849-1<br>PFHd = 0.98E-09 for SS0 ISO 13849-1<br>PFHd = 0.96E-09 for SS1 ISO 13849-1<br>HFT = 1 IEC 62061<br>PFHd = 0.98E-09 for SS0 IEC 62061<br>PFHd = 0.96E-09 for SS1 IEC 62061<br>SFF > 99% IEC 62061<br>HFT = 1 IEC 61508-1<br>PFHd = 0.98E-09 for SS0 IEC 61508-1<br>PFHd = 0.96E-09 for SS1 IEC 61508-1<br>SFF > 99% IEC 61508-1<br>Type = B IEC 61508-1 |
| Electrical circuit type   | NC pair<br>OSSD pair  |

The information provided in this documentation contains general descriptions and/or technical characteristics of the performance of the products contained herein. This documentation is not intended as a substitute for and is not to be used for determining suitability or reliability of these products for specific user applications. It is the duty of any such user or integrator to perform the appropriate and complete risk analysis, evaluation and testing of the products with respect to the relevant specific application or use thereof. Neither Schneider Electric Industries SAS nor any of its affiliates or subsidiaries shall be responsible or liable for misuse of the information contained herein. \*Prices are indicative

|                           |  |
|---------------------------|--|
| Connections - terminals   | Removable screw terminal block, 0.2...2.5 mm <sup>2</sup> solid or flexible<br>Removable screw terminal block, 0.25...2.5 mm <sup>2</sup> flexible with ferrule single conductor<br>Removable screw terminal block, 0.2...1.5 mm <sup>2</sup> solid or flexible twin conductor<br>Removable screw terminal block, 2 x 0.25...1 mm <sup>2</sup> flexible with ferrule without cable end, with bezel<br>Removable screw terminal block, 2 x 0.5...1.5 mm <sup>2</sup> flexible with ferrule with cable end, with bezel |
| [Us] Rated Supply Voltage | 24 V AC - 15...10 %<br>24 V DC - 20...20 %   |

## Complementary

|   |   |
|---|---|
| Synchronisation time between inputs         | 0.5 s<br>2 s  |
| Type of start                               | Automatic/Manual/Monitored  |
| Power consumption in W                      | 2 W 24 V DC   |
| Power consumption in VA                     | 5 VA 24 V AC 50/60 Hz   |
| Input protection type                       | Internal, electronic  |
| Auxiliary contact composition               | 2 NO<br>1 NO  |
| Number of inputs                            | 2   |
| Maximum line resistance                     | 500 Ohm   |
| Time delay range                            | 0...900 s off   |
| Input compatibility                         | Normally closed circuit ISO 14119<br>Mechanical contact ISO 14119<br>OSSD pair IEC 61496-1-2<br>Normally closed circuit ISO 13850<br>3-wire proximity sensors PNP   |
| [Ie] rated operational current              | 5 A AC-1<br>3 A AC-15<br>5 A DC-1<br>3 A DC-13  |
| Number of outputs                           | 3 pulsed output   |
| Input/output type                           | Semiconductor output Z1, 20 mA  |
| [Ith] conventional free air thermal current | 12 A  |
| Associated fuse rating                      | 6 A gG NO relay output circuit IEC 60947-1  |
| Minimum output current                      | 20 mA relay output  |
| Minimum output voltage                      | 24 V relay output   |
| Maximum response time on input open         | 20 Ms   |
| [Ui] rated insulation voltage               | 250 V 2)EN/IEC 60947-1  |
| [Uimp] rated impulse withstand voltage      | 4 KV II EN/IEC 60947-1  |
| Local signalling                            | LED green power power ON<br>LED red error error<br>LED yellow state 1 safety output instantaneous<br>LED yellow state 2 safety output delayed<br>LED yellow start 1 start<br>LED yellow start 2 start<br>LED yellow S12 safety input S12<br>LED yellow S22 safety input S22 |
| Mounting Support                            | 35 mm symmetrical DIN rail  |
| Depth                                       | 4.72 In (120 mm)  |
| Height                                      | 3.94 In (100 mm)  |
| Width                                       | 0.89 In (22.5 mm)   |
| Net Weight                                  | 0.77 Lb(US) (0.350 kg)  |

## Environment

|                                       |   |
|---------------------------------------|---|
| Standards                             | IEC 60947-5-1<br>IEC 61508-1 functional safety standard<br>IEC 61508-2 functional safety standard<br>IEC 61508-3 functional safety standard<br>IEC 61508-4 functional safety standard<br>IEC 61508-5 functional safety standard<br>IEC 61508-6 functional safety standard<br>IEC 61508-7 functional safety standard<br>ISO 13849-1 functional safety standard<br>IEC 62061 functional safety standard |
| Product Certifications                | TÜV<br>cULus  |
| IP degree of protection               | IP20 terminals)EN/IEC 60529<br>IP40 housing)EN/IEC 60529<br>IP54 mounting area)EN/IEC 60529   |
| Ambient air temperature for operation | -13...131 °F (-25...55 °C)  |
| Ambient Air Temperature for Storage   | -13...185 °F (-25...85 °C)  |
| Relative Humidity                     | 5...95 % non-condensing   |

## Ordering and shipping details

|                   |                                 |
|-------------------|---------------------------------|
| Category          | 22477-SAFETY MODULES (PREVENTA) |
| Discount Schedule | SAF2                            |
| GTIN              | 3606482034044                   |
| Returnability     | Yes                             |

## Packing Units

|                              |                         |
|------------------------------|-------------------------|
| Unit Type of Package 1       | PCE                     |
| Number of Units in Package 1 | 1                       |
| Package 1 Height             | 2.68 In (6.8 cm)        |
| Package 1 Width              | 5.43 In (13.8 cm)       |
| Package 1 Length             | 6.10 In (15.5 cm)       |
| Package 1 Weight             | 10.12 Oz (287.0 g)      |
| Unit Type of Package 2       | S03                     |
| Number of Units in Package 2 | 16                      |
| Package 2 Height             | 11.81 In (30 cm)        |
| Package 2 Width              | 11.81 In (30 cm)        |
| Package 2 Length             | 15.75 In (40 cm)        |
| Package 2 Weight             | 11.71 Lb(US) (5.312 kg) |
| Package 3 Height             | 11.81 In (30 cm)        |

## Offer Sustainability

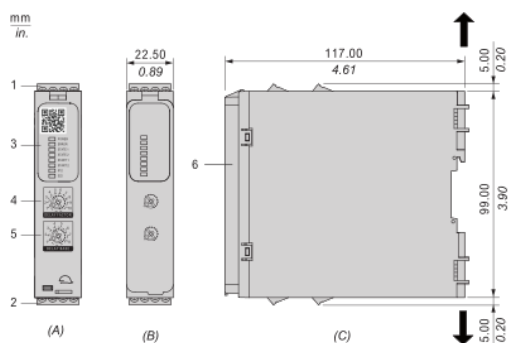
|                            |   |
|----------------------------|---|
| Sustainable offer status   | Green Premium product   |
| California proposition 65  | WARNING: This product can expose you to chemicals including: Lead and lead compounds, which is known to the State of California to cause cancer and birth defects or other reproductive harm. For more information go to <a href="http://www.P65Warnings.ca.gov">www.P65Warnings.ca.gov</a> |
| REACH Regulation           | <a href="#">REACH Declaration</a>   |
| EU RoHS Directive          | Pro-active compliance (Product out of EU RoHS legal scope) <a href="#">EU RoHS Declaration</a>  |
| Mercury free               | Yes   |
| China RoHS Regulation      | <a href="#">China RoHS Declaration</a>  |
| RoHS exemption information | <a href="#">Yes</a>   |
| Environmental Disclosure   | <a href="#">Product Environmental Profile</a>   |

WEEE

The product must be disposed on European Union markets following specific waste collection and never end up in rubbish bins.

Dimensions

Front and Side Views



(A) : Product drawing

(B) : Screw clamp terminal

(C) : Side view

(1) : Removable terminal blocks, top

(2) : Removable terminal blocks, bottom

(3) : LED indicators

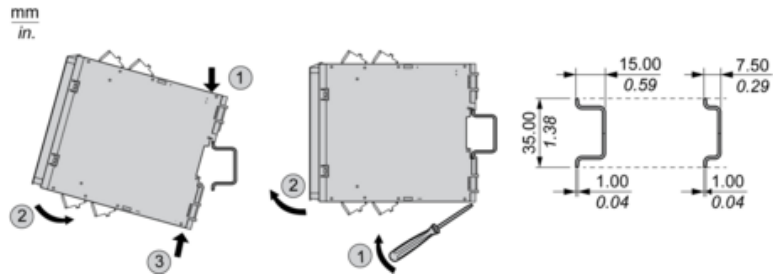
(4) : Delay factor selector

(5) : Delay base selector

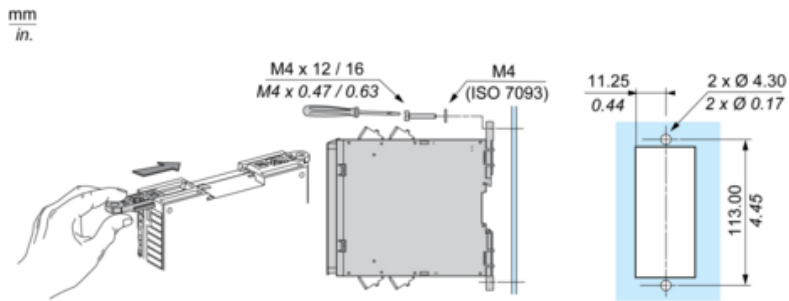
(6) : Sealable transparent cover

|                        |                      |            |           |                     |           |  |
|------------------------|----------------------|------------|-----------|---------------------|-----------|--|
| mm<br>in.              | 7.0-8.0<br>0.28-0.31 |            |           |                     |           |  |
| mm <sup>2</sup>        | 0.2... 2,5           | 0,25...2,5 | 0,2...1,5 | 0,25...1            | 0,5...1,5 |  |
| AWG                    | 24... 12             | 24...12    | 24...16   | 24...18             | 20...16   |  |
| <br>Ø 3,5 mm (0,14 in) |                      |            |           | Nm<br>0,5... 0,6    |           |  |
|                        |                      |            |           | lb-in<br>4,4... 5,3 |           |  |

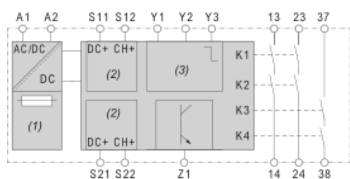
Mounting to DIN rail



Screw-mounting



Wiring Diagram



(1) : A1-A2 (Power supply)

(2) : S11–S21 (Control outputs (DC+) of safety-related inputs), S12-S22 (Input channels (CH+) of safety-related inputs)

(3) : Y1 (Control output of Start/Restart input), Y2 (Input channel for automatic/manual start), Y3 (Input channel for monitored start with falling edge)

13-14-23-24 : Terminals of the safety-related outputs (instantaneous)

37-38 : Terminals of the safety-related outputs (delayed)

Z1 : Solid state output, not safety-related

Product Life Status : **Commercialised**