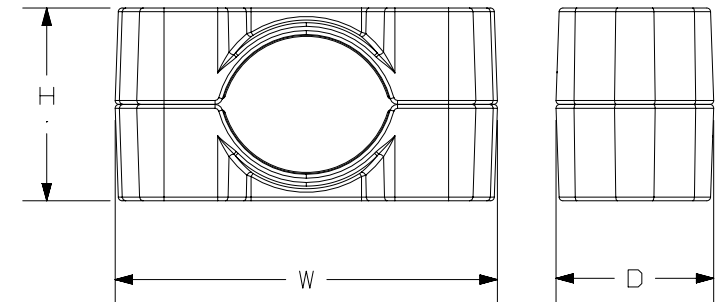
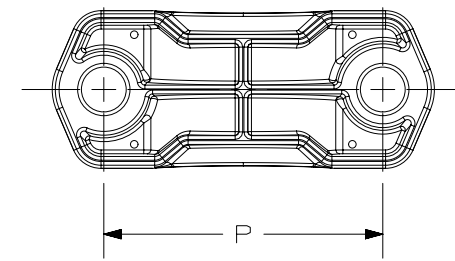
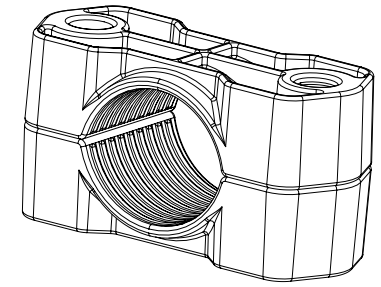


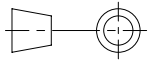
THIS COPY IS PROVIDED ON A RESTRICTED BASIS AND IS NOT TO BE USED IN ANY WAY DETRIMENTAL TO THE INTERESTS OF PANDUIT CORP.

PART NUMBER	CABLE DIAMETER RANGE in. [mm]	"H" in. [mm]	"W" in. [mm]	"D" in. [mm]	"P" in. [mm]	WEIGHT lb [g]	MOUNTING HOLES
CCAL2H3846-X	1.50-1.81 [38-46]	2.01 [51]	3.98 [101]	1.65 [42]	2.91 [74]	0.43 [197]	2 × M10
CCAL2H4658-X	1.81-2.28 [46-58]	2.36 [60]	4.53 [115]	1.69 [43]	3.40 [86]	0.56 [254]	2 × M10
CCAL2H5870-X	2.28-2.76 [58-70]	2.87 [73]	5.04 [128]	1.73 [44]	3.89 [99]	0.69 [316]	2 × M10
CCAL2H7083-X	2.76-3.27 [70-83]	3.39 [86]	5.55 [141]	1.81 [46]	4.41 [112]	0.85 [386]	2 × M10
CCAL2H8397-X	3.27-3.82 [83-97]	3.94 [100]	6.22 [158]	1.85 [47]	5.00 [127]	1.08 [489]	2 × M10
CCAL2H97109-X	3.82-4.29 [97-109]	4.53 [115]	6.73 [171]	1.93 [49]	5.49 [140]	1.28 [583]	2 × M10
CCAL2H109120-X	4.29-4.72 [109-120]	5.04 [128]	7.20 [183]	1.97 [50]	5.93 [151]	1.48 [672]	2 × M10



NOTES:

- VISIT OUR ON-LINE CATALOG AT WWW.PANDUIT.COM FOR A LIST OF CURRENT PARTS APPLICABLE FOR USE WITH THIS PRODUCT.
- DIMENSIONS IN () ARE METRIC.
- ALL MATERIALS AND COMPONENTS USED MEET THE MATERIAL RESTRICTIONS OF RoHS (EUROPEAN DIRECTIVE ON THE RESTRICTION OF HAZARDOUS SUBSTANCES) AS PROPOSED BY THE RoHS TECHNICAL ADAPTATION COMMITTEE.
- CASTINGS ARE ALUMINUM.
- MEETS IEC 61914:2015 SPECIFICATIONS.
- MOUNTING FASTENERS AND INSULATING MATERIALS ARE NOT INCLUDED IN THE PACKAGE AND MUST BE PURCHASED SEPARATELY.
- SELECT M10 BOLT LENGTH SUITABLE FOR THE RUNG.
- CONTACT PANDUIT SALES FOR CUSTOMIZED SOLUTIONS.

TITLE						ALUMINUM 2-HOLE CABLE CLEAT					
CUSTOMER DRAWING											
ITEM REVISION NAME			00017EAU/00			DRAWING NUMBER			00017EAU_DC		
DATASET FILE NAME			00017EAU_DC/00A			MATERIAL			ALUMINUM		
			THIRD ANGLE PROJECTION			DRAWN BY			KEC		
DATE			08/02/18			CHK			BBEA		
SCALE			1:2			SHEET 1 OF 1			A		

00A	03/13/19	KEC	BBEA	GBI	RELEASED	041917
REV	DATE	BY	CHK	APR	DESCRIPTION	ECN