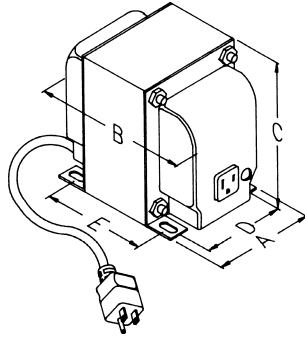


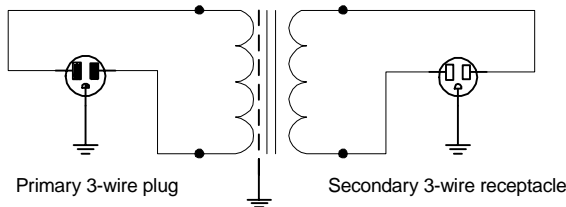
Isolation (Plug In)



171 SERIES LINE ISOLATION PLUG & RECEPTACLE TRANSFORMERS (115V to 115V)

- Primary 115VAC, 50/60 Hz., Secondary 115VAC
- Provides circuit isolation.
- Electrostatic shield between primary & secondary.
- Standard 3-wire, grounded plug & receptacle.
- 5 foot "U ground" cord & plug.
- CSA certified (# LR3902) - except 171F

Transformer Schematic



Cat. No.	Capacity VA	Dimensions					Wt. Lbs.
		A	B	C	D	E	
171A	100	3.75	4.00	5.00	3.00	1.88	6.5
171B	200	3.75	4.50	5.00	3.00	2.38	8.0
171C	300	3.75	5.00	5.00	3.00	2.88	11.0
171E	500	3.75	6.00	5.00	3.00	3.88	14.0
171F	900	4.38	8.00	5.50	3.50	5.44	30.0



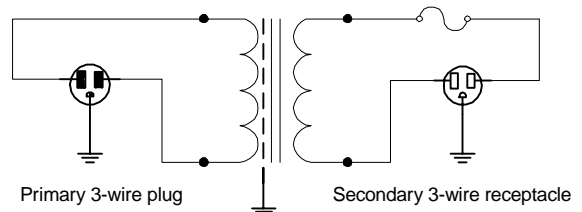
172 SERIES LINE ISOLATION - STEP DOWN PLUG & RECEPTACLE TRANSFORMERS (230V to 115V)

- Primary 230VAC, 50/60 Hz.
- Secondary 115VAC - fused.
- Provides circuit isolation & steps down primary voltage.
- Electrostatic shield between primary & secondary.
- Standard 3-wire, grounded plug (for use *only* with adaptors listed on page 58 for proper grounding).
- Secondary connected to standard 115V - 3 wire grounded receptacle.
- 5 foot "U ground" cord & plug.

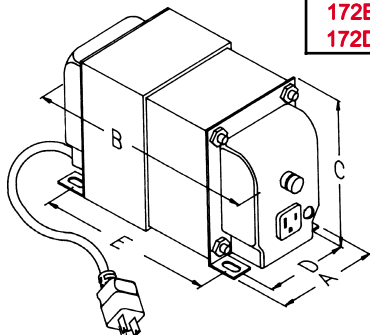


Cat. No.	Capacity VA	Dimensions					Wt. Lbs.
		A	B	C	D	E	
172A	100	3.75	6.50	5.00	3.00	3.88	6.5
172B	200	3.75	7.00	5.00	3.00	4.38	8.5
172D	500	3.75	8.50	5.00	3.00	5.88	18.5

Transformer Schematic



Line

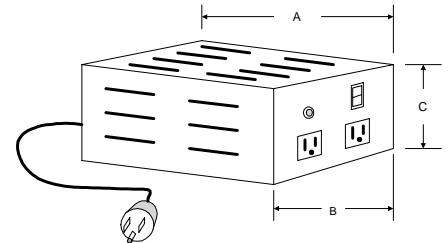
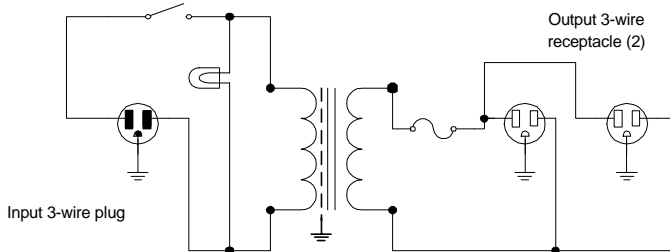


289 SERIES LINE ISOLATION STEP DOWN - PLUG IN (230V to 115V)

- Primary 230VAC, 50/60 Hz., Secondary 115VAC.
- Provides circuit isolation.
- Electrostatic shield between primary & secondary.
- World wide applications, 50 or 60 Hz. operation, step down (230VAC to 115 VAC).
- Standard 3-wire, grounded plug (for use **only** with adaptors listed on page 58 for proper grounding).
- Secondary connected to two standard - 3 wire grounded receptacles.
- Features include ventilated black steel case, rocker lighted on-off switch & fuse protected output.
- 5 foot "U ground" cord & plug.



Cat. No.	Capacity VA	# of Outlets	Dimensions		
			A	B	C
289C	250	2	6.00	6.75	4.75
289D	500	2	6.00	8.25	4.75
289E	750	2	7.00	8.25	5.38
289F	1000	2	7.00	9.75	5.38
289G	1500	2	8.50	9.00	6.75

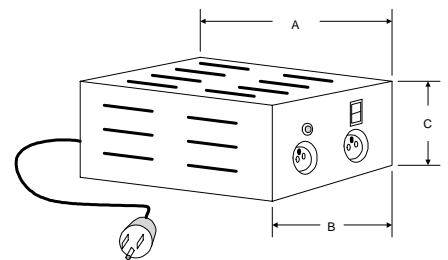
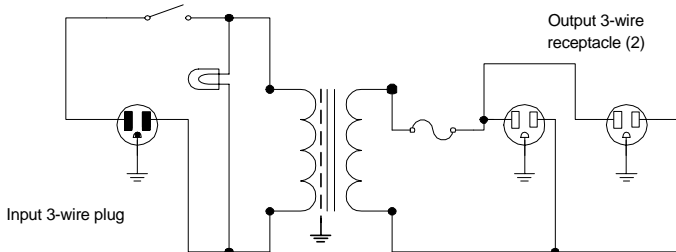


298 SERIES LINE ISOLATION STEP UP - PLUG IN (115V to 230V)

- Primary 115VAC, 50/60 Hz., Secondary 230VAC.
- Provides circuit isolation.
- Electrostatic shield between primary & secondary.
- World wide applications, 50 or 60 Hz. operation, step up (115VAC to 230 VAC).
- Standard 3-wire, grounded plug (for use **only** with adaptors listed on page 58 for proper grounding).
- Secondary connected to two European - 3 wire grounded receptacles.
- Features include ventilated black steel case, rocker lighted on-off switch & fuse protected output.
- 5 foot "U ground" cord & plug.



Cat. No.	Capacity VA	# of Outlets	Dimensions		
			A	B	C
298C	250	2	6.00	6.75	4.75
298D	500	2	6.00	8.25	4.75
298E	750	2	7.00	8.25	5.38
298F	1000	2	7.00	9.75	5.38
298G	1500	2	8.50	9.00	6.75



Line

CANADA

Phone: (519) 822-2960 Fax: (519) 822-0715

USA

Phone: (716) 651-0086 Fax: (716) 651-0726



© 2000

**HAMMOND
MANUFACTURING™**
www.hammondmfg.com

Isolation (Plug In)

179 SERIES LINE ISOLATION STEP DOWN - PLUG IN (115V to 95V)

- Primary 115VAC, 50/60 Hz., Secondary 95VAC.
- Provides circuit isolation.
- Electrostatic shield between primary & secondary.
- World wide applications, 50 or 60 Hz. operation, step down (115VAC to 95 VAC). Designed mainly for Japanese equipment in North America.
- Standard 3-wire, grounded plug (for use **only** with adaptors listed on page 58 for proper grounding).
- Secondary connected to two standard - 3 wire grounded receptacles.
- Features include ventilated black steel case, rocker lighted on-off switch & fuse protected output.
- 5 foot "U ground" cord & plug.



Cat. No.	Capacity VA	# of Outlets	Dimensions		
			A	B	C
179C	250	2	6.00	6.75	4.75
179D	500	2	6.00	8.25	4.75
179E	750	2	7.00	8.25	5.38
179F	1000	2	7.00	9.75	5.38
179G	1500	2	8.50	9.00	6.75

