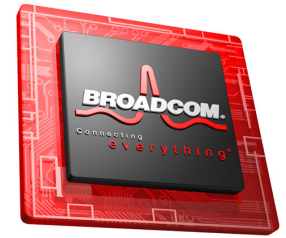




BCM5761E PRODUCT Brief



10/100/1000BASE-T CONTROLLER WITH INTEGRATED TRANSCEIVER, ADVANCED SECURITY, AND PLATFORM MANAGEMENT CAPABILITIES

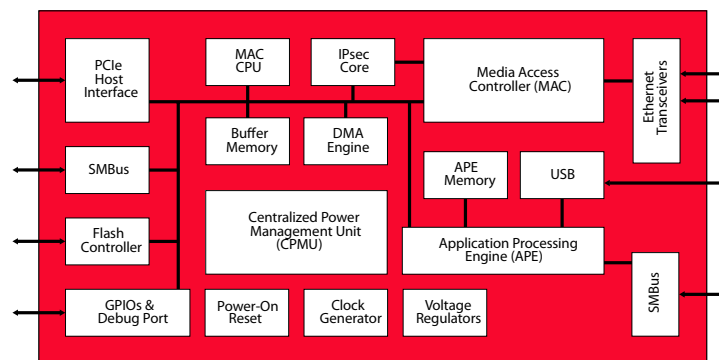
FEATURES

- **Integrated 10/100/1000BASE-T transceiver**
 - 10/100/1000BASE-T triple-speed MAC
 - State-of-the-art physical layer interface that exceeds IEEE requirements
 - On-chip voltage regulation
 - Integrated switch between notebook and docking network port
- **PCI Express® host interface**
 - x1 PCIe™ v1.1
 - Active State Power Management (ASPM) capability
 - Message Signal Interrupt (MSI)
- **Intelligent power management**
 - Centralized power management enables easy and efficient control of various power modes.
 - Innovative implementation that optimizes power consumption dynamically and transparently, depending on network and system states
- **Performance features**
 - TCP, IP, and UDP checksum
 - Receive-Side Scaling (RSS) for multicore client processors
 - Microsoft® Large Send Offload (LSO) and Giant Send Offload (GSO)
 - Interrupt coalescing
- **IPsec Task Offload**
 - Compliant with Microsoft v2 logo requirements
 - NDIS 6.0 support with Authentication and Encryption
 - AES-GMAC, AES-GCM, and ICV crypto algorithms support
- **Industry-compliant Web services-based manageability**
 - Out-of-band manageability through Broadcom® TruManage™ technology
 - Desktop and Mobile Architecture for System Hardware (DASH) specification v1.0 and v1.1
 - Platform Management Component Intercommunication (PMCI) specification
 - Robust ACPI-compliant Wake-on-LAN (WOL)
 - Alert Standard Format (ASF) 2.0 support

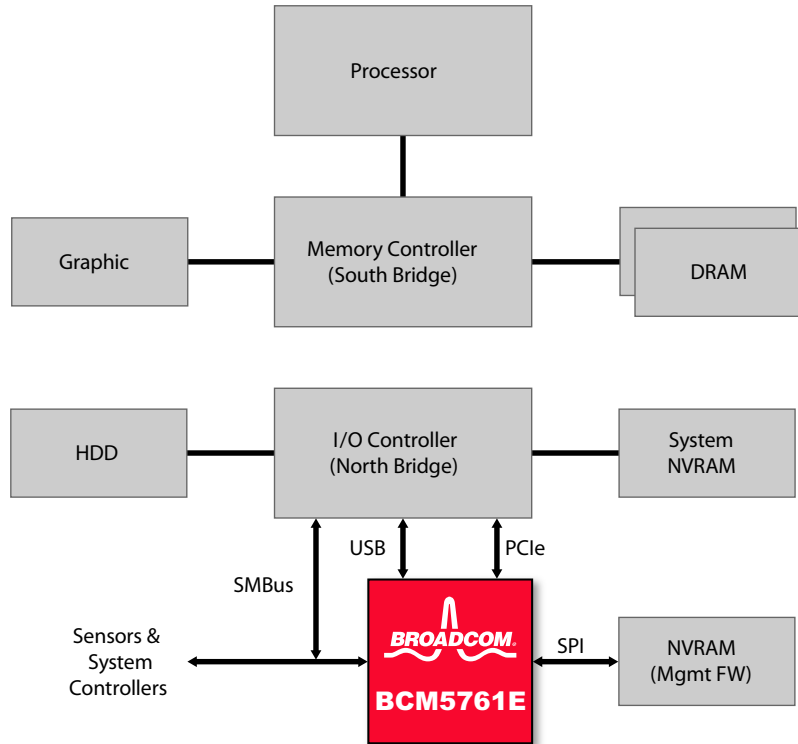
SUMMARY OF BENEFITS

- **Single-chip device for LAN on Motherboard (LOM) mobile applications with integrated port switch**
- **Proven technology built on ten generations of controller products**
- **Wirespeed performance increases user performance**
 - PCI Express provides wirespeed non-blocking throughput.
 - TCP/IP offloads significantly reduce utilization of CPU and increases network throughput for large file download.
- **Advance security with no performance penalty**
 - Features full offload of all IPsec packet processing with on-chip cryptographic engines supporting the latest industry algorithms
 - Enables corporate customers to take full advantage of Microsoft server and domain isolation technology
- **Web services-based remote manageability reduces IT costs**
 - Secure platform manageability with both user/machine authentication and encryption capabilities
 - Remote monitoring and control of desktop and mobile PCs in a corporate network
 - Remote configuration and installation
 - Remote diagnostic and repair of PC platforms regardless of their state
 - Scalable solution that is agnostic to the platform vendors and architecture
- **Extremely low power consumption enables environment-friendly designs**
 - Increases battery life in mobile applications and saves energy in desktop implementations
 - Enables full Web services-based manageability while maintaining Energy Star® compliance

BCM5761E Block Diagram



OVERVIEW



DASH Typical System Implementation Diagram

The BCM5761E Broadcom NetXtreme® controller is a fully integrated 10/100/1000BASE-T Gigabit Ethernet (GbE) media access control and physical layer transceiver solution for high-performance network applications. The BCM5761E combines a triple-speed, IEEE 802.3™-compliant media access controller (MAC), PCI Express bus interface, on-chip buffer memory, and integrated physical layer transceiver in a single device. The BCM5761E is fabricated in a low-voltage silicon process, providing an ultralow power solution. By itself, the BCM5761E provides a complete single-chip GbE LOM solution.

The BCM5761E includes a 10/100/1000 Mbps Ethernet MAC with full-duplex and half-duplex capability at all speeds. Support for the following IEEE 802.3 functions is featured in the MAC: VLAN tagging, Layer 2 priority encoding, and full-duplex flow control.

The BCM5761E controller offers IPsec task offload capabilities compliant with Microsoft v2 logo requirements. This capability enables IT professionals to deploy IPsec technology on their existing network with no performance penalty, while maintaining low CPU utilization and high network capacity by offloading all the cryptographic processing to the hardware.

Broadcom®, the pulse logo, **Connecting everything®**, the Connecting everything logo, **NetXtreme®**, the NetXtreme logo, and **TruManage™** are among the trademarks of Broadcom Corporation and/or its affiliates in the United States, certain other countries and/or the EU. Any other trademarks or trade names mentioned are the property of their respective owners.

Connecting
everything®

In-line offload architecture in the BCM5761E enables network security at an extremely low cost. With network topologies becoming more complex because of increased mobility and remote workers, virus and worm security threats have become more sophisticated. IPsec protocols operate at the network layer and enable end-to-end authentication and encryption between clients and servers, allowing efficient network segmentation and isolation.

The BCM5761E integrates an on-chip Application Processing Engine (APE) with its runtime memory providing a complete Web services-based management functionality via Broadcom TruManage technology. This single-chip highly integrated product offers a scalable and centralized architecture, which, combined with a highly optimized firmware and software, enables low-power, secure, fault-tolerant, and cost-effective implementation.

Target applications of the BCM5761E:

- Mobile PC LOM

Software drivers available:

- Windows® 2000, Windows NT®, Windows XP®, and Windows Vista®
- Linux® 2.2, 2.4, and 2.6



BROADCOM CORPORATION

5300 California Avenue
Irvine, California 92617

© 2009 by BROADCOM CORPORATION. All rights reserved.

5761E-PB01-R 06/05/09

Phone: 949-926-5000
Fax: 949-926-5203
E-mail: info@broadcom.com
Web: www.broadcom.com