

EZ-LIGHT® K50 Beacon

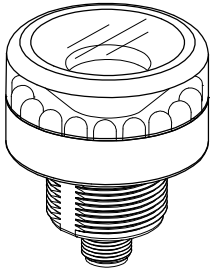
Daylight-visible, general-purpose indicators for indoor or outdoor use



WARNING: Not To Be Used for Personnel Protection

Never use this product as a sensing device for personnel protection. Doing so could lead to serious injury or death. This product does NOT include the self-checking redundant circuitry necessary to allow its use in personnel safety applications. A sensor failure or malfunction can cause either an energized or de-energized sensor output condition.

Features



- Intense levels of light output for areas with high ambient light - even outdoors
- Viewable around entire perimeter; some models also emit light from top
- 1- or 2-color models available
- Rugged, sealed thermoplastic housing rated for IP67 and IP69K
- Bright, even light
- 12 to 30V dc or 85 to 130V ac (75 to 120V dc) or 100 to 250V ac (90 to 240V dc) operation, depending on model
- 12V dc operation useful for applications on mobile vehicles
- Consult factory for models with strobing capability

Models

Model		Connection ¹	LED Color(s)	Input Voltage
Perimeter View Only	Perimeter + Top View			
K50BLXGXPQ	K50BCLXGXPQ	4-pin Euro integral QD connector	Green	12 to 30V dc
K50BLXRXQPQ	K50BCLXRXQPQ		Red	
K50BLXYXPQ	K50BCLXYXPQ		Yellow	
K50BLXBXQPQ	K50BCLXBXQPQ		Blue	
K50BLXWXPQ	K50BCLXWXPQ		White	
K50BLGRXPQ	K50BCLGRXPQ		Green / Red	
K50BLGA120Q	K50BCLGA120Q	3-pin Micro integral QD connector	Green	85 to 130V ac or 75 to 120V dc
K50BLRA120Q	K50BCLRA120Q		Red	
K50BLYA120Q	K50BCLYA120Q		Yellow	
K50BLWA120Q	N.A.		White	
K50BLBA120Q	K50BCLBA120Q		Blue	100 to 250V ac or 90 to 240V dc
K50BLGA230Q	K50BCLGA230Q		Green	
K50BLRA230Q	K50BCLRA230Q		Red	
K50BLYA230Q	K50BCLYA230Q		Yellow	
K50BLBA230Q	K50BCLBA230Q	Blue		

¹ Integral QD models only are listed.

- For 150 mm PVC pigtail with QD, replace Q with QP in model number (example, K50BLXGXPQP).
- For 2 m (6.5') cable, omit suffix Q from model number (example, K50BLXGXP).
- A model with a QD requires a mating cable (see [Accessory Cordsets](#)).

Specifications

Supply Voltage and Current - 12-30V dc models

- K50BL 1-color models: 140 mA max. at 12V dc, 70 mA max. at 30V dc
- K50BCL 1-color models: 160 mA max. at 12V dc, 80 mA max. at 30V dc
- K50BL 2-color models, per color: 75 mA max. at 12V dc, 40 mA max. at 30V dc
- K50BCL 2-color models, per color: 95 mA max. at 12V dc, 40 mA max. at 30V dc

Supply Voltage and Current - 120V ac models

- K50BL models: 85 to 130V ac or 75 to 120V dc at 16 mA max. 50/60 Hz
- K50BCL models: 85 to 130V ac or 75 to 120V dc at 60 mA max. 50/60 Hz

Supply Voltage and Current - 230V ac models

- K50BL models: 100 to 250V ac or 90 to 240V dc at 20 mA max. 50/60 Hz
- K50BCL models: 100 to 250V ac or 90 to 240V dc at 25 mA max. 50/60 Hz

Supply Protection Circuitry

Protected against reverse polarity and transient voltages

Indicators

LED colors are independently selected, depending on model

Environmental Rating

Rated IEC IP67 and IP69K, per DIN 40050

Construction

Base and covers: polycarbonate

Connections

Integral 4-pin Euro-style (dc models) 3-pin Micro-style (ac models) QD or 2 m (6.5 ft) integral cable, depending on model

Operating Conditions

-40° to +50° C (-40° to +122° F)
90% at 50° C max. relative humidity (non-condensing)

Vibration and Mechanical Shock

All models meet Mil. Std. 202F requirements method 201A (vibration: 10 to 60 Hz max., double amplitude 0.06 in, maximum acceleration 10G). Also meets IEC 947-5-2; 30G 11 ms duration, half sine wave.

Certifications

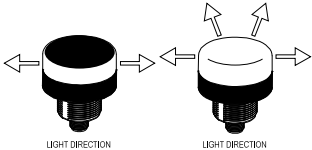
Approvals are pending

Indicator Power-up Response Time

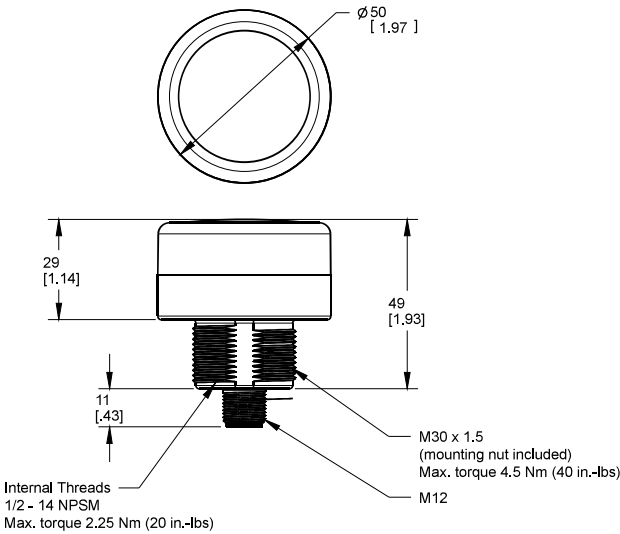
- DC models**
ON: 10 ms; OFF: 7 ms
- AC models**
ON/OFF: 500 µs

Application Note

Light emits 360° from housing sides in K50BL models and housing sides and tops in K50BCL models.



Dimensions



Wiring — DC Models

1-Color Models (PNP/NPN Selectable)			
Sourcing (PNP) Input	Sinking (NPN) Input	Pinout	Wiring Key:
			1 = Brown 2 = White 3 = Blue 4 = Black C = Indicator color X = Not used

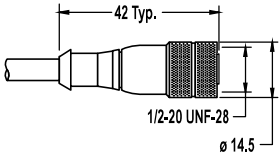
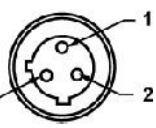
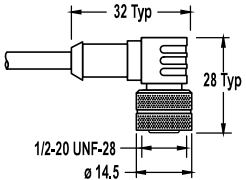
2-Color Models			
Sourcing (PNP) Input	Pinout	Wiring Key:	
		1 = Brown 2 = White 3 = Blue 4 = Black C1 = Indicator color 1 C2 = Indicator color 2 X = Not used	

Wiring — AC Models

Quick-Disconnect (QD) Models	Cabled Models
<p>Wiring Key: 1 = Green (not used) 2 = Red/Black 3 = Red/White</p>	<p>Wiring Key: 1 = Black 3 = White</p>
<p>Pinout</p>	

Accessory Cordsets

4-Pin Threaded M12/Euro-Style Cordsets				
Model	Length	Style	Dimensions	Pinout
MQDC-406	1.83 m (6 ft)	Straight		<p>1 = Brown 2 = White 3 = Blue 4 = Black</p>
MQDC-415	4.57 m (15 ft)			
MQDC-430	9.14 m (30 ft)			
MQDC-450	15.2 m (50 ft)	Right-Angle		
MQDC-406RA	1.83 m (6 ft)			
MQDC-415RA	4.57 m (15 ft)			
MQDC-430RA	9.14 m (30 ft)			
MQDC-450RA	15.2 m (50 ft)			

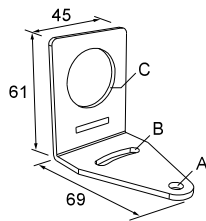
3-Pin Micro-Style Cordsets				
Model	Length	Style	Dimensions	Pinout
MQDC-306	1.83 m (6 ft)	Straight		 <p>1 = Green 2 = Red/Black 3 = Red/White</p>
MQDC-315	4.57 m (15 ft)			
MQDC-330	9.14 m (30 ft)			
MQDC-330	1.83 m (6 ft)	Right-Angle		
MQDC-315RA	4.57 m (15 ft)			
MQDC-330RA	9.14 m (30 ft)			

Accessory Mounting Brackets

All measurements in mm

SMB30A

- Right-angle bracket with curved slot for versatile orientation
- Clearance for M6 (1/4 in) hardware
- Mounting hole for 30 mm sensor
- 12-ga. stainless steel

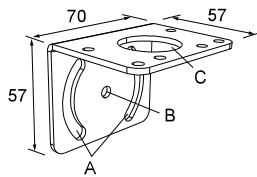


Hole center spacing: A to B=40

Hole size: A=∅ 6.3, B= 27.1 x 6.3, C=∅ 30.5

SMB30MM

- 12-ga. stainless steel bracket with curved mounting slots for versatile orientation
- Clearance for M6 (1/4 in) hardware
- Mounting hole for 30 mm sensor

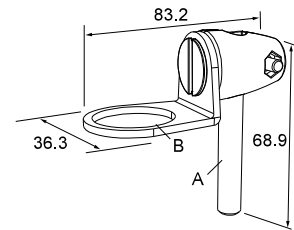


Hole center spacing: A = 51, A to B = 25.4

Hole size: A = 42.6 x 7, B = ∅ 6.4, C = ∅ 30.1

SMB30FA

- Swivel bracket with tilt and pan movement for precise adjustment
- Mounting hole for 30 mm sensor
- 12-ga. 304 stainless steel
- Easy sensor mounting to extrude rail T-slot
- Metric and inch size bolt available

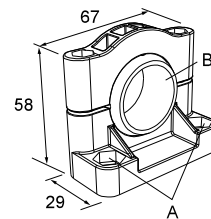


Bolt thread: SMB30FA, A= 3/8 - 16 x 2 in; SMB30FAM10, A= M10 - 1.5 x 50

Hole size: B= ∅ 30.1

SMB30SC

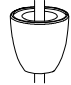
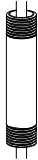

- Swivel bracket with 30 mm mounting hole for sensor
- Black reinforced thermoplastic polyester
- Stainless steel mounting and swivel locking hardware included



Hole center spacing: A=∅ 50.8

Hole size: A=∅ 7.0, B=∅ 30.0

Elevated Mount System

Model			Features	Components
SA-M30E12 - Black Acetal			<ul style="list-style-type: none"> Streamlined black acetal stand-off pipe adapter/cover Connects between 30 mm light base and ½ in. NPSM/DN15 pipe Mounting hardware included 	
Polished 304 Stainless Steel	Black Anodized Aluminum	Clear Anodized Aluminum	<ul style="list-style-type: none"> Elevated-use stand-off pipe (½ in. NPSM/DN15) Polished 304 stainless steel, black anodized aluminum, or clear anodized aluminum surface ½ in. NPT thread at both ends Compatible with most industrial environments 	
SOP-E12-150SS 150 mm (6 in) long	SOP-E12-150A 150 mm (6 in) long	SOP-E12-150AC 150 mm (6 in) long		
SOP-E12-300SS 300 mm (12 in) long	SOP-E12-300A 300 mm (12 in) long	SOP-E12-300AC 300 mm (12 in) long		
SOP-E12-900SS 900 mm (36 in) long	SOP-E12-900A 900 mm (36 in) long	SOP-E12-900AC 900 mm (36 in) long		
SA-E12M30 - Black Acetal			<ul style="list-style-type: none"> Streamlined black acetal mounting base adapter/cover Connects between ½ in. NPSM/DN15 pipe and 30 mm (1-3/16 in) drilled hole Mounting hardware included 	

Banner Engineering Corp Limited Warranty

Banner Engineering Corp. warrants its products to be free from defects in material and workmanship for one year following the date of shipment. Banner Engineering Corp. will repair or replace, free of charge, any product of its manufacture which, at the time it is returned to the factory, is found to have been defective during the warranty period. This warranty does not cover damage or liability for misuse, abuse, or the improper application or installation of the Banner product.

THIS LIMITED WARRANTY IS EXCLUSIVE AND IN LIEU OF ALL OTHER WARRANTIES WHETHER EXPRESS OR IMPLIED (INCLUDING, WITHOUT LIMITATION, ANY WARRANTY OF MERCHANTABILITY OR FITNESS FOR A PARTICULAR PURPOSE), AND WHETHER ARISING UNDER COURSE OF PERFORMANCE, COURSE OF DEALING OR TRADE USAGE.

This Warranty is exclusive and limited to repair or, at the discretion of Banner Engineering Corp., replacement. **IN NO EVENT SHALL BANNER ENGINEERING CORP. BE LIABLE TO BUYER OR ANY OTHER PERSON OR ENTITY FOR ANY EXTRA COSTS, EXPENSES, LOSSES, LOSS OF PROFITS, OR ANY INCIDENTAL, CONSEQUENTIAL OR SPECIAL DAMAGES RESULTING FROM ANY PRODUCT DEFECT OR FROM THE USE OR INABILITY TO USE THE PRODUCT, WHETHER ARISING IN CONTRACT OR WARRANTY, STATUTE, TORT, STRICT LIABILITY, NEGLIGENCE, OR OTHERWISE.**

Banner Engineering Corp. reserves the right to change, modify or improve the design of the product without assuming any obligations or liabilities relating to any product previously manufactured by Banner Engineering Corp.