



A Pentair Company

Rev. A March 2005

# Hinged Cover Cutout Boxes



### Construction

- 16 gauge or 14 gauge steel
- Butt hinges
- Various sizes of easily removable concentric knockouts on all four sides
- Mounting holes on back of box
- Provision for grounding

### Finish

ANSI 61 gray polyester powder paint finish inside and out over phosphatized surfaces.

Unless otherwise specified, all custom cutout boxes are finished with ANSI 61 gray polyester paint.

### Industry Standards

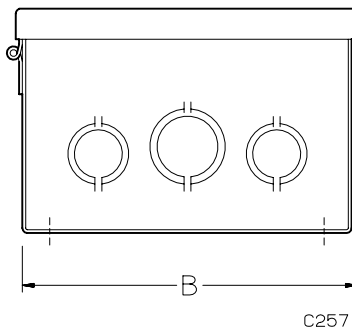
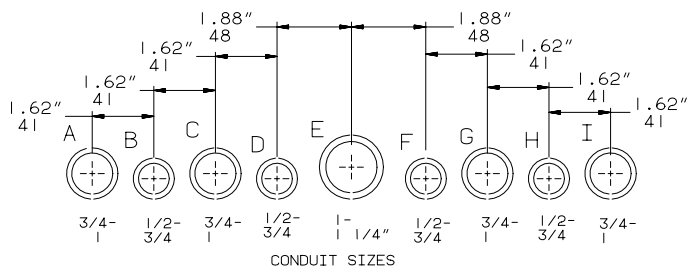
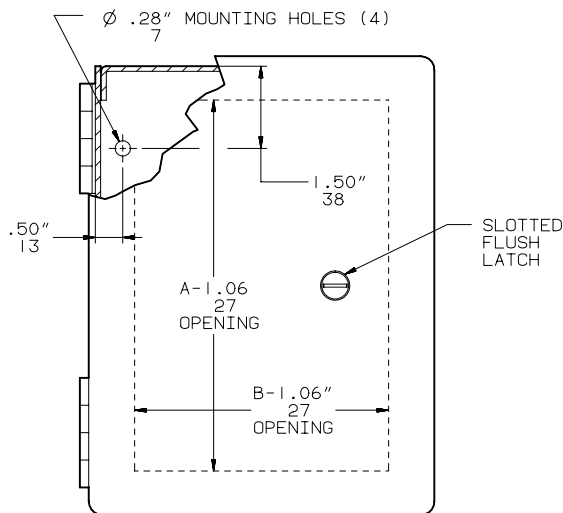
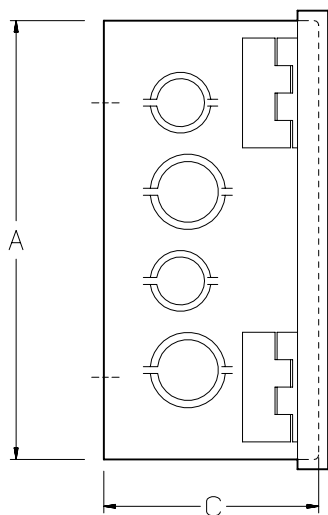
- UL 50, File No. E27576: Type I
- NEMA/EEMAC Type I
- CSA, File No. LL42184: Type I
- IEC 60529, IP30

### Accessories

- Cylinder Lock Kit
- Grounding Device
- Padlock Kit
- "T" Handle Latch Kit
- Touch-Up Paint (ATPPY61)

### Application

Designed for use as a surface-mounted junction box, service box, switch box, and cutout box.



### Knockout Pattern (from outside of box)

NOTE: Refer to Table for applicable knockout pattern.



**Standard Sizes Hinged Cover Cutout Boxes**

Box Catalog Number	Box Size A x B x C	Knockout Pattern along "A" Sides	Knockout Pattern along "B" Sides
AHE6X4X4	6.00 x 4.00 x 4.00 (152 x 102 x 102)	BCD	BCD
AHE6X6X4	6.00 x 6.00 x 4.00 (152 x 152 x 102)	BCD	BCD
AHE8X6X4	8.00 x 6.00 x 4.00 (203 x 152 x 102)	FGHI	BCD
AHE8X8X4	8.00 x 8.00 x 4.00 (203 x 203 x 102)	FGHI	FGHI
AHE10X8X4	10.00 x 8.00 x 4.00 (254 x 203 x 102)	FGHI	FGHI
AHE10X10X4	10.00 x 10.00 x 4.00 (254 x 254 x 102)	FGHI	CDEFG
AHE12X8X4	12.00 x 8.00 x 4.00 (305 x 203 x 102)	CDEFG	FGHI
AHE12X10X4	12.00 x 10.00 x 4.00 (305 x 254 x 102)	CDEFG	CDEFG
AHE12X12X4	12.00 x 12.00 x 4.00 (305 x 305 x 102)	CDEFG	CDEFG
AHE16X12X4	16.00 x 12.00 x 4.00 (406 x 305 x 102)	BCDEFGH	CDEFG
AHE18X12X4	18.00 x 12.00 x 4.00 (457 x 305 x 102)	ABCDEFGHI	CDEFG
AHE6X6X6	6.00 x 6.00 x 6.00 (152 x 152 x 152)	BCD	BCD
AHE8X8X6	8.00 x 8.00 x 6.00 (203 x 203 x 152)	FGHI	FGHI
AHE10X8X6	10.00 x 8.00 x 6.00 (254 x 203 x 152)	FGHI	FGHI
AHE10X10X6	10.00 x 10.00 x 6.00 (254 x 254 x 152)	FGHI	CDEFG
AHE12X10X6	12.00 x 10.00 x 6.00 (305 x 254 x 152)	CDEFG	CDEFG
AHE12X12X6	12.00 x 12.00 x 6.00 (305 x 305 x 152)	CDEFG	CDEFG
AHE16X12X6	16.00 x 12.00 x 6.00 (406 x 305 x 152)	BCDEFGH	CDEFG
AHE16X16X6	16.00 x 16.00 x 6.00 (406 x 406 x 152)	BCDEFGH	BCDEFGH
AHE18X12X6	18.00 x 12.00 x 6.00 (457 x 305 x 152)	ABCDEFGHI	CDEFG
AHE18X18X6	18.00 x 18.00 x 6.00 (457 x 457 x 152)	ABCDEFGHI	ABCDEFGHI
AHE24X18X6	24.00 x 18.00 x 6.00 (610 x 457 x 152)	ABCDEFGHI	ABCDEFGHI
AHE24X24X6	24.00 x 24.00 x 6.00 (610 x 610 x 152)	ABCDEFGHI	ABCDEFGHI
AHE30X24X6	30.00 x 24.00 x 6.00 (762 x 610 x 152)	ABCDEFGHI	ABCDEFGHI
AHE36X24X6	36.00 x 24.00 x 6.00 (914 x 610 x 152)	ABCDEFGHI	ABCDEFGHI
AHE36X24X8	36.00 x 24.00 x 8.00 (914 x 610 x 203)	ABCDEFGHI	ABCDEFGHI

Millimeter dimensions ( ) are for reference only; do not convert metric dimensions to inch.