

Model No.: TC6FD02-04
 Product Line: Tymphany

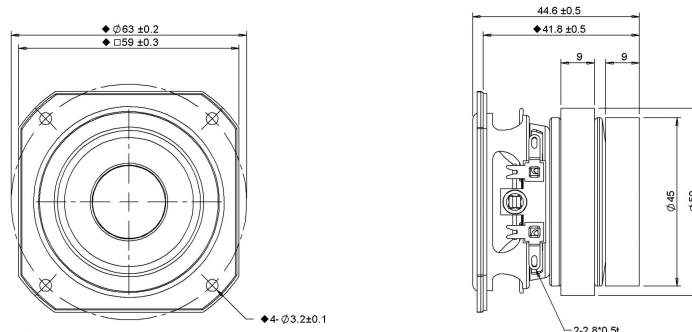
Rev: 1
 Last Update: 2017-04-25 21:32:09

Product Description

This TC family full-range driver, with 2 Inch 4Ohm paper cone and rubber surround, is designed to be a cost-effective high performance full range driver. The cone utilizes Tymphany-patented PentaCut NRSC cone technology to help dampen and control cone resonances, optimizing the listening experience. The motor contains a copper cap to lower inductance and distortion. The product was designed with television and other compact applications in mind.



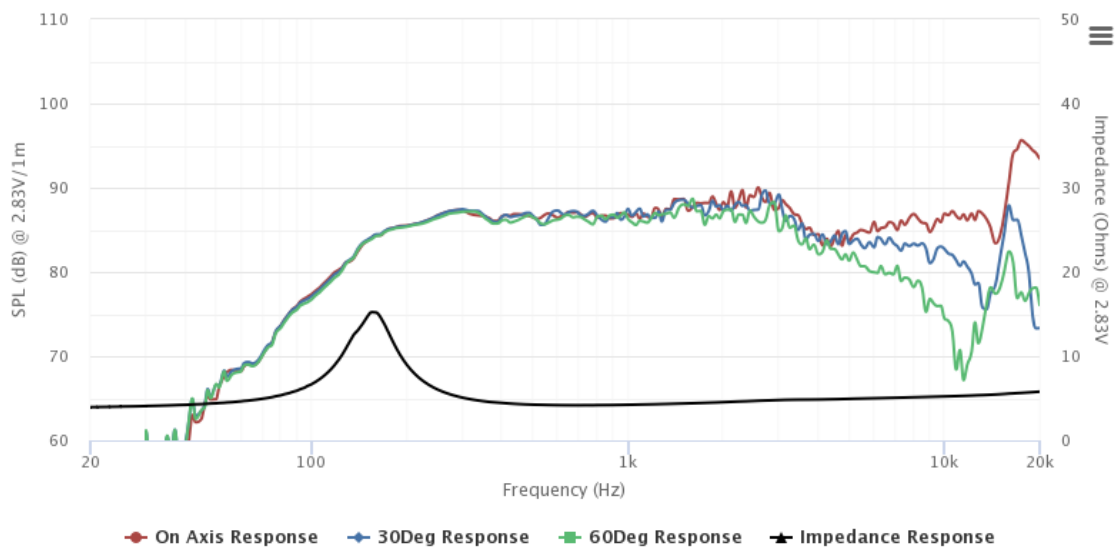
Mechanical Drawing



Specifications

DC Resistance	Revc	Ohms	3.27	5.0%	Energy Bandwidth Product	EBP	(1/Qes)*fs	
Minimum Impedance	Zmin	Ohms	4.17	7.5%	Moving Mass	Mms	g	1.1
Voice Coil Inductance	Le	mH	0.02		Suspension Compliance	Cms	um/N	773.6
Resonant Frequency	Fs	Hz	171.16	15%	Effective Cone diameter	D	cm	4.4
Mechanical Q Factor	Qms		3.15		Effective Piston Area	Sd	cm ²	15.2
Electrical Q Factor	Qes	0.97			Effective Volume	Vas	L	0.25
Total Q Factor	Qts	0.74			Motor Force Factor	BL	Tm	2.01
Ratio Fs/Qts	F	Fs/Qts	230.68		Motor Efficiency Factor	β	(T*M ²)/Ohms	1.2
Half Space Sensitivity @2.83V	db@2.83V/1M	dB	86.84	+/- 1.0db	Voice coil former Material	VCfm		ASV
Half Space Sensitivity @1W/1M	db@1W/1M	dB	84	+/- 1.0db	Voice coil inner diameter	VCd	mm	19.32
Gap Height	Gh	mm	3		Rated Noise Power	P	W	15
Maximum Linear Excursion	Xmax	mm	0.6		Test Spectrum Bandwidth			100-10000
Ferrofluid Type	FF				Driver Size	Inch		2 in
Driver Mass	Kg	0.26						

Frequency and Impedance Response



Highcharts.com