

Data Sheet

ST041xxDDNN

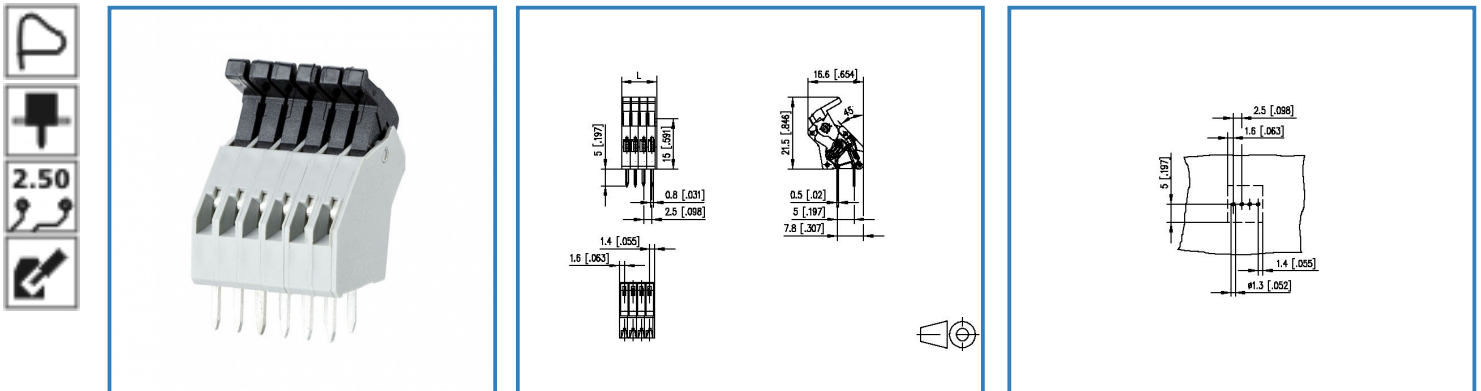
Page 1/4

P/N

AST041xx

xx=number of poles

Illustration



see enlarged drawing at the end of the document

Product specification

- spring clamp terminal block, solderable, double solder pins
- centerline 2.50 mm, direction of connection 45°
- color gray
- eccentric lever
- Connection data

CRIAUS V / A / AWG 150 / 8 / 28 - 18

SEV 0.5 mm² 130 V / 6 A / T60

Data Sheet



ST041xxDDNN

Technical Data

General Data

Solder pin length	5 mm		
min. number of poles	2		
max. number of poles	24		
Insulating material class	CTI 600		
clearance/creepage dist.	1.7 mm		
protection category	IP 20		
Overvoltage category	III	III	II
Pollution degree	3	2	2
Rated voltage	80 V	320 V	320 V
Rated test voltage	0.8 kV	4 kV	2.5 kV

Connection data

 V / A / AWG	150 / 8 / 28 - 18		
 0.5 mm ²	130 V / 6 A / T60		

Material

insulating material	PA66
flammability class	V0

Climatic properties

upper limit temperature	105 °C
lower limit temperature	-40 °C

General

solderability	For THR products acc. to IPC/JEDEC J-STD-020D-MSL 1 For THT products max. 260 °C / 10 s
Tolerance	ISO 2768 -mH

Data Sheet

ST041xxDDNN

Page 3/4

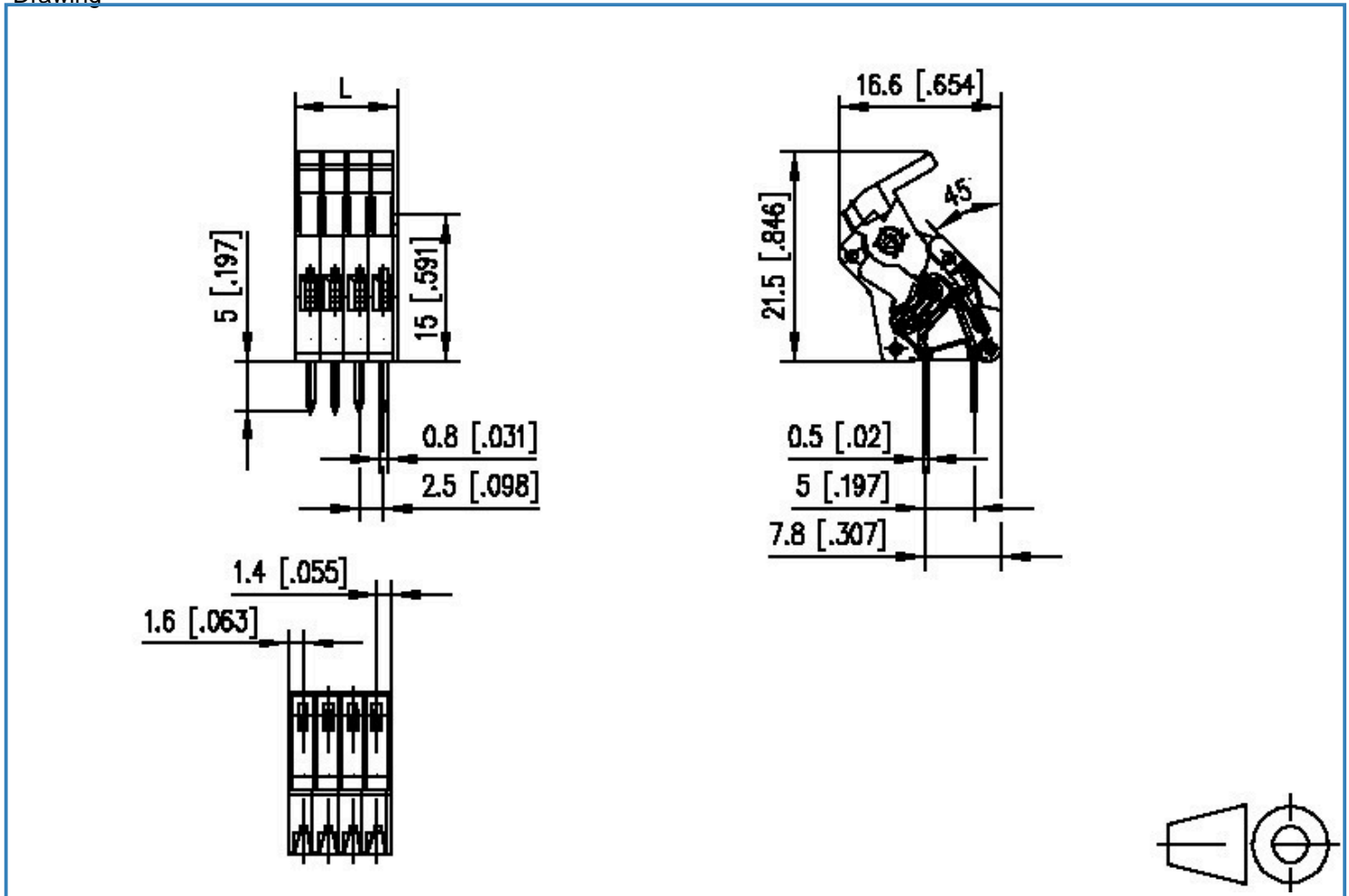
P/N

AST041xx

xx=number of poles

Illustration

Drawing



$$L = (\text{pole size} - 1) \times \text{centerline} + 3 \quad [0.118]$$

Data Sheet

ST041xxDDNN

Page 4/4

P/N

AST041xx

xx=number of poles

PCB Layout

