



(2.54 mm) .100"

BBS, BBL, BHS, BBD, BDL SERIES

# MACHINED BOARD STACKING STRIPS

Mates with:  
SS, SD, HSS, SL, SDL,  
ESS, ESD

## FEATURES

- Low-profile design achieves (3.89 mm) .153" board spacings when mated with SL Series.
- Approach the reliability of a permanent connection with the flexibility of a separable connection.

## SPECIFICATIONS

For complete specifications see [www.samtec.com?BBS](http://www.samtec.com?BBS), [www.samtec.com?BBL](http://www.samtec.com?BBL), [www.samtec.com?BHS](http://www.samtec.com?BHS), [www.samtec.com?BBD](http://www.samtec.com?BBD) or [www.samtec.com?BDL](http://www.samtec.com?BDL)

**Insulator Material:**  
Black Glass Filled Polyester (BBS, BBD, BBL)  
Black High Temp Nylon (BDL)  
Black Liquid Crystal Polymer (BHS)

**Temperature Range:**  
-55 °C to +125 °C

**Terminal Material:**  
Phosphor Bronze or Brass

**Plating:**  
Au or Sn over 50 μ" (1.27 μm) Ni

**RoHS Compliant:**  
Yes

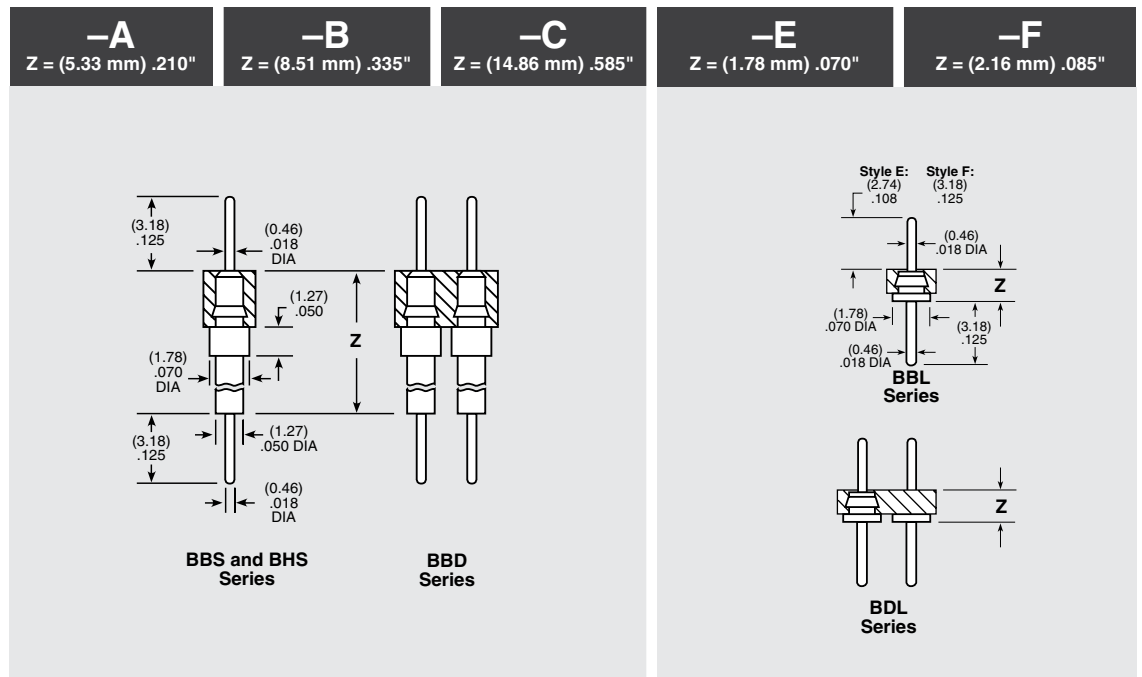
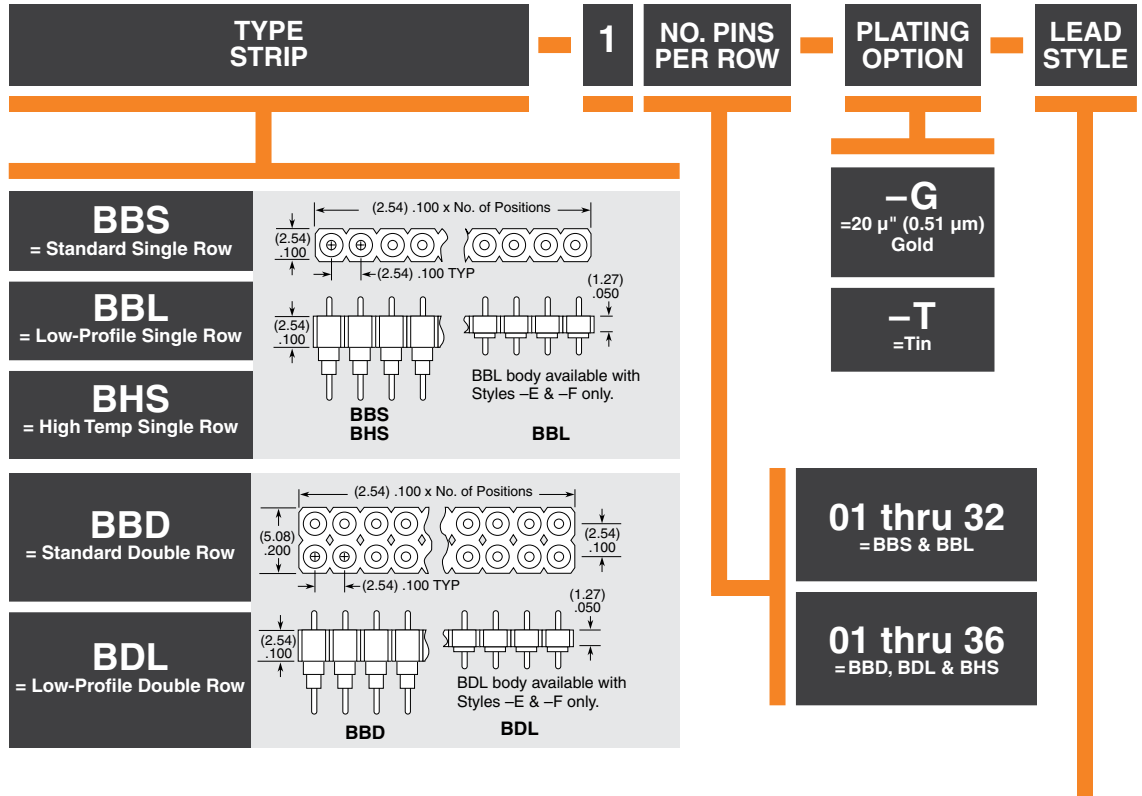
**Lead-Free Solderable:**  
Wave only (BBS, BBD, BBL, BDL)  
Wave, or reflow with all Au (BHS)

## RECOGNITIONS

For complete scope of recognitions see [www.samtec.com/quality](http://www.samtec.com/quality)



**Note:** Some lengths, styles and options are non-standard, non-returnable.



Due to technical progress, all designs, specifications and components are subject to change without notice.

[WWW.SAMTEC.COM](http://WWW.SAMTEC.COM)

All parts within this catalog are built to Samtec's specifications. Customer specific requirements must be approved by Samtec and identified in a Samtec customer-specific drawing to apply.