

MATERIALS AND FINISHES

BODY: BRASS  
 PLATED: NICKEL (70u-in MIN)

CENTER CONTACT: PHOSPOR BRONZE  
 PLATED: SELECTIVE GOLD (1u-in MIN AT TIP)  
 PLATED: TIN (50u-in MIN REST OF PART)

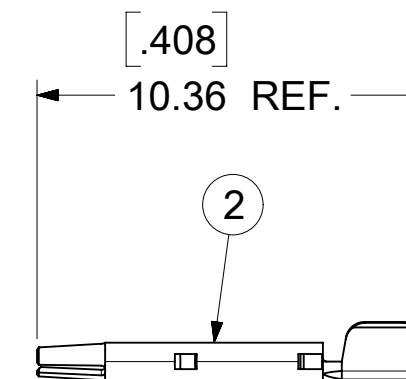
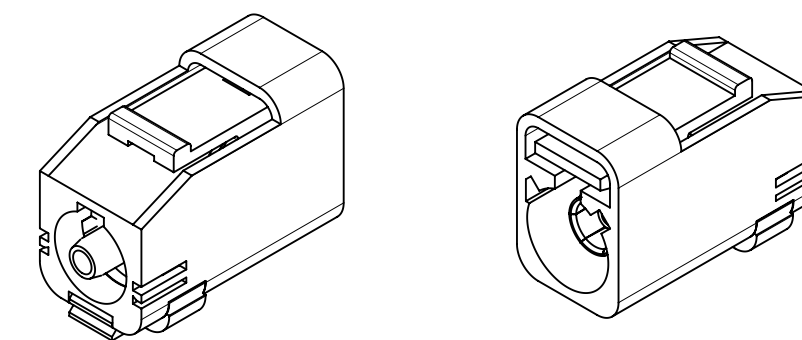
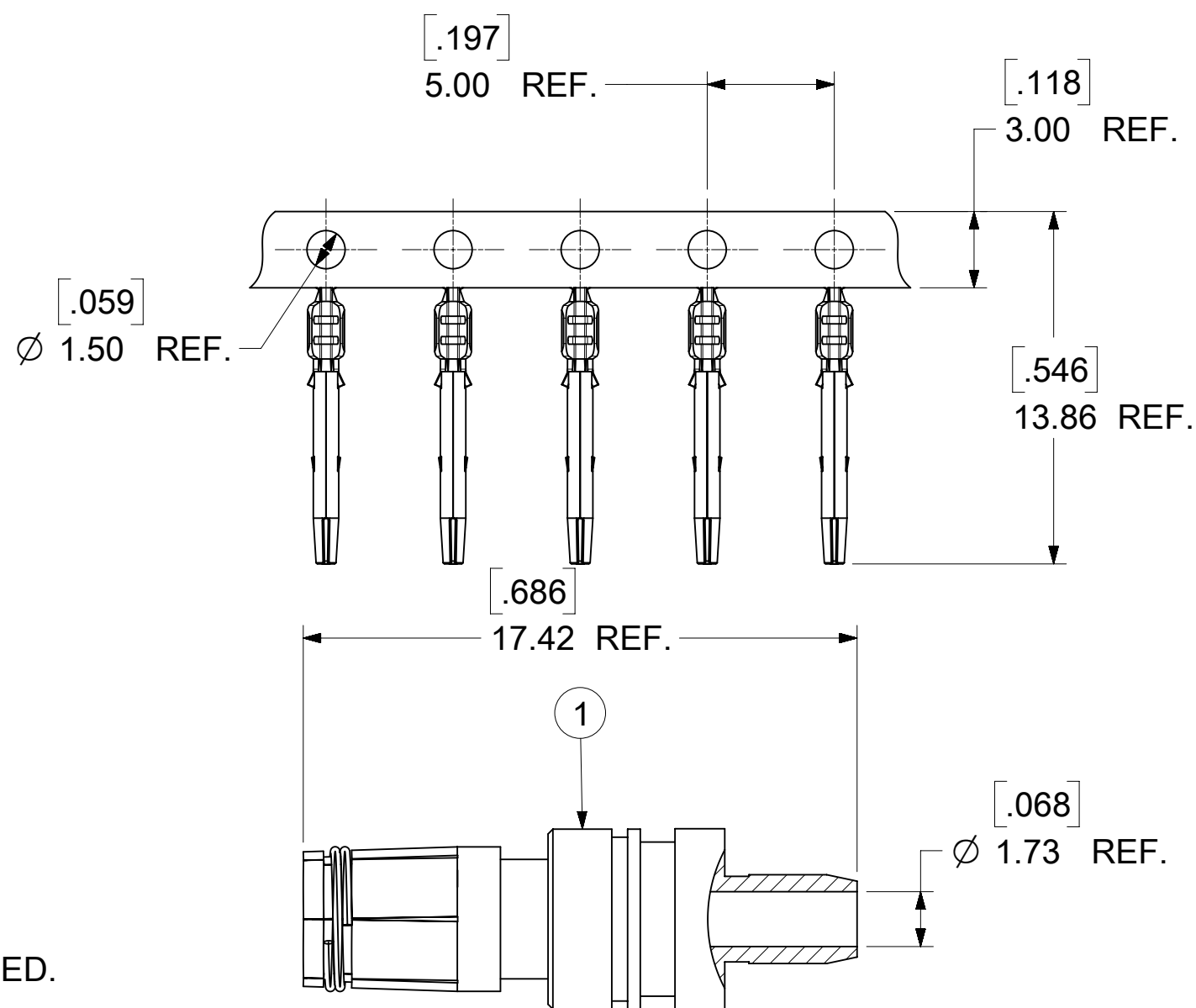
CRIMP TUBE: COPPER  
 PLATED: NICKEL (70u-in MIN)

OUTER CASING: NYLON 66 OR EQUIVALENT  
 KEYING: SEE TABLE  
 COLOR: SEE TABLE

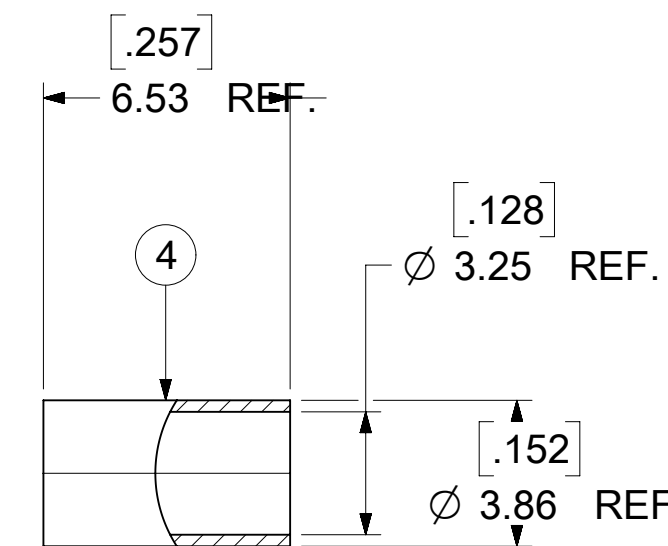
INSULATOR: POLYPROPYLENE

PACKAGING BY BAG

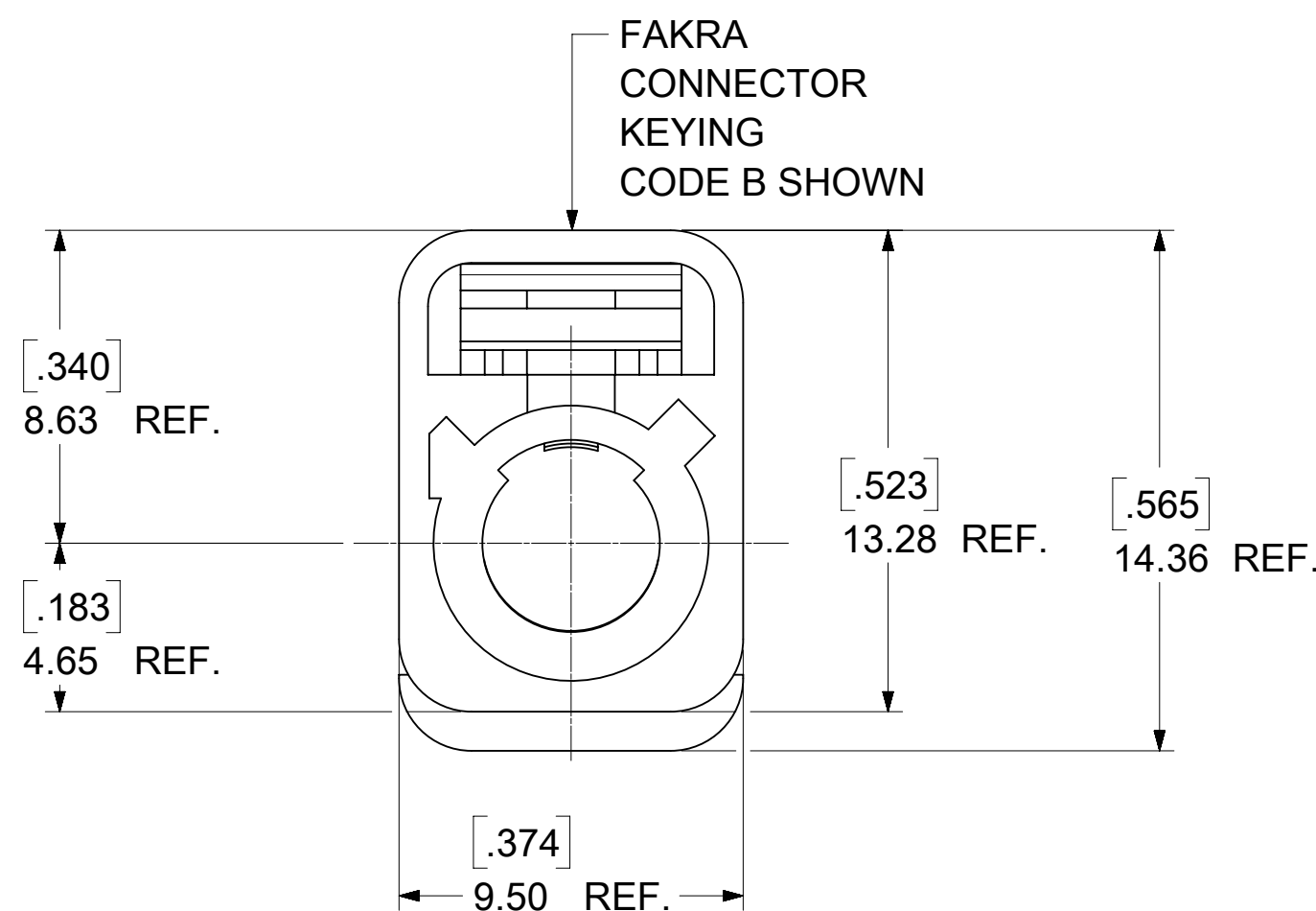
NOTE:  
 1. 250 PCS (89618-37XX) PER ZIPLOCK BAG.  
 NOTICE: THE BAG MUST BE COMPLETELY SEALED.  
 TEMPERATURE -10° TO 40° HUMIDITY <75%



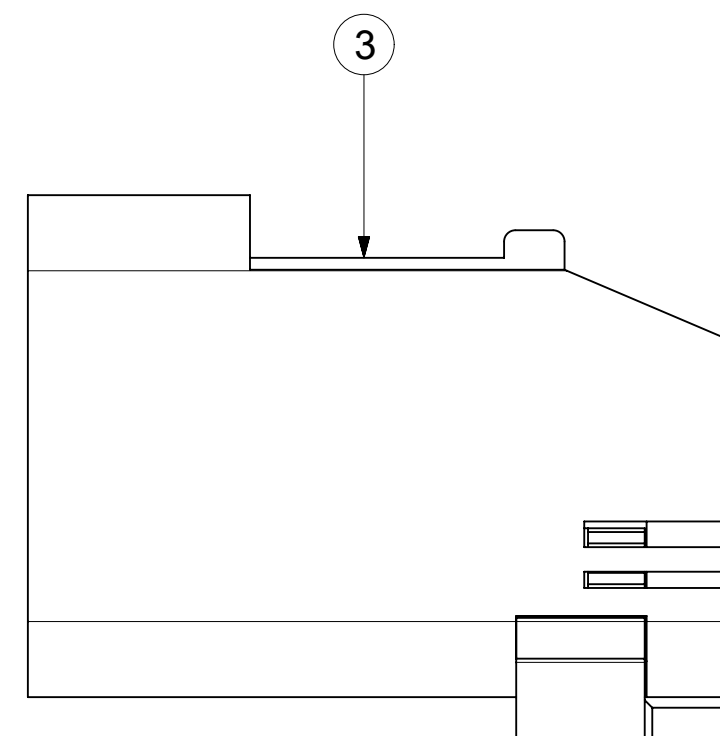
CINTACT



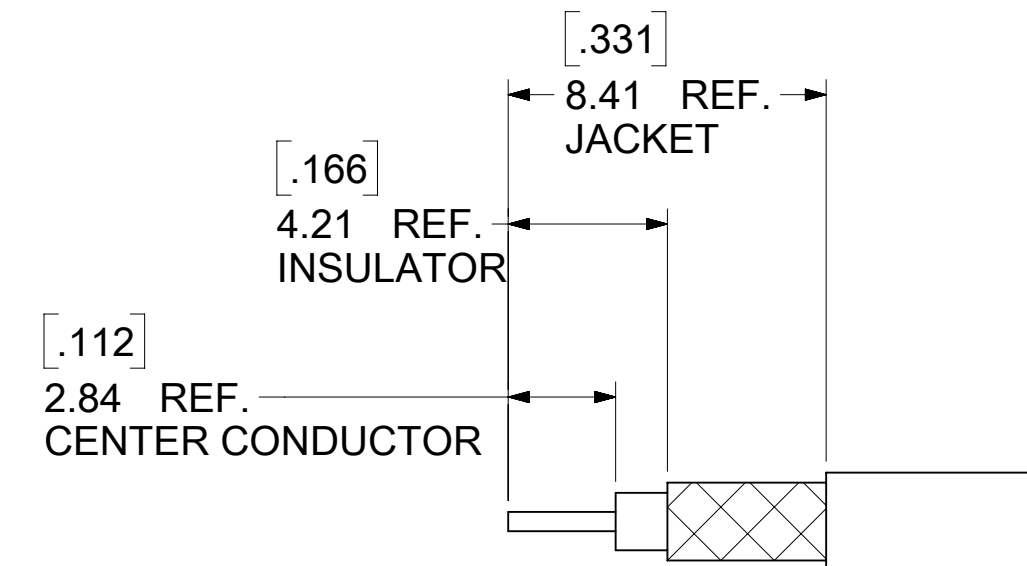
CRIMP TUBE



FAKRA  
 CONNECTOR  
 KEYING  
 CODE B SHOWN



SECONDARY LOCK  
 (TPA)



RECOMMENDED CABLE STRIP

PART # SEE SHEET 2

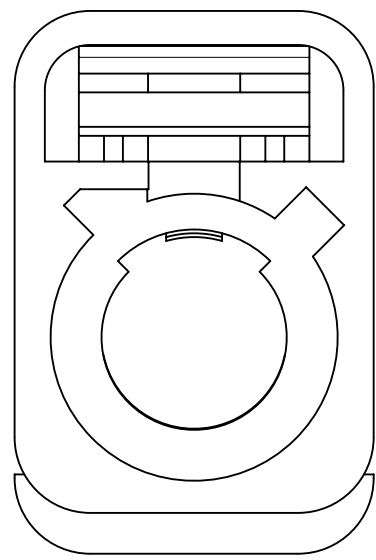
|               |                         |
|---------------|-------------------------|
| PS-89675-331  | PRODUCT SPECIFICATION   |
| DIN 72594-1   | INTERFACE SPECIFICATION |
| SPECIFICATION | DESCRIPTION             |

|            |      |                                     |
|------------|------|-------------------------------------|
| 2019/04/08 | C8   | UPDATED "E" CODE PER EWR # 11896-D  |
| 2018/04/02 | C7   | REMOVED II FROM TITLE PER 11896     |
| 2016/05/26 | C6   | ADDED PACKAGE DRAWING PER RF16-E082 |
| DATE       | REV. | DESCRIPTION                         |

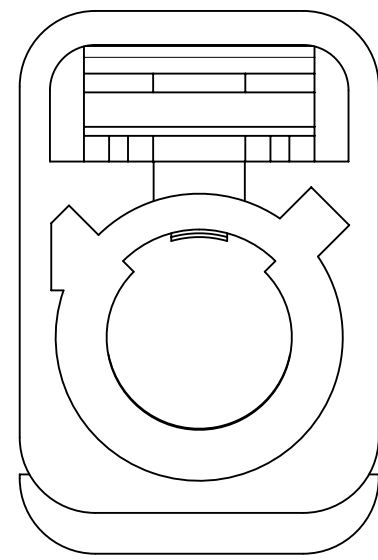
|   |             |                         |     |
|---|-------------|-------------------------|-----|
| 4 | 89506-0226  | CRIMP TUBE              | 1   |
| 3 | SEE SHEET 2 | SHROUD WITH TPA         | 1   |
| 2 | 89538-0251  | CENTER CONTACT          | 1   |
| 1 | 89618-3500  | SMB PLUG STR. FOR RG316 | 1   |
|   | PART NO.    | DESCRIPTION             | QTY |

|         |  |   |                          |   |  |
|---------|--|---|--------------------------|---|--|
| SYMBOLS |  | THIS DRAWING CONTAINS INFORMATION THAT IS PROPRIETARY TO MOLEX ELECTRONIC TECHNOLOGIES, LLC AND SHOULD NOT BE USED WITHOUT WRITTEN PERMISSION |                          |   |  |
| ▽ = 0   | HYBRID   | SCALE   | CURRENT REV DESC:        |   |  |
| ▽ = 0   | GENERAL TOLERANCES (UNLESS SPECIFIED)                | NTS   | EC NO: 615362            | FAKRA PLUG STR. FOR RG316,174 CABLE FAKRA -PC<br>PRODUCT CUSTOMER DRAWING |  |
| ▽ = 0   | ANGULAR TOL ± 2.0°                                   |   | DRWN: ELIN 2019/04/08    |   |  |
| ▽ = 0   | 4 PLACES ±   |   | CHK'D: YCHENG 2019/04/16 | DOCUMENT NUMBER   |  |
| ▽ = 0   | 3 PLACES ±   |   | APPR: YCHENG 2019/04/16  |   |  |
| ▽ = 0   | 2 PLACES ±   |   | INITIAL REVISION:        | DOC TYPE  |  |
| ▽ = 0   | 1 PLACE ±  |   | DRWN: ELIN 2011/02/15    |   |  |
| ▽ = 0   | 0 PLACES ±   |   | APPR: MHUANG 2011/05/27  | 001   |  |
| ▽ = 0   | DRAFT WHERE APPLICABLE MUST REMAIN WITHIN DIMENSIONS | THIRD ANGLE PROJECTION  | DRAWING                  |   |  |
| ▽ = 0   |  |   | SERIES                   | 1 OF 3  |  |
|         |  |   | C-SIZE                   |   |  |
|         |  |   | 73403                    | SEE TABLE   |  |
|         |  |   |                          |   |  |
|         |  |   |                          | MATERIAL NUMBER   |  |
|         |  |   |                          |   |  |

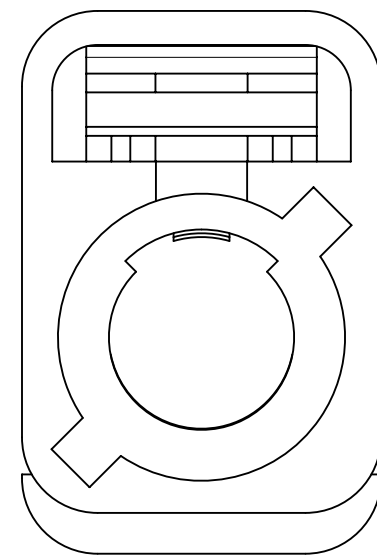
|                 |    |              |            |          |
|-----------------|----|--------------|------------|----------|
| DOCUMENT STATUS | P1 | RELEASE DATE | 2019/04/16 | 04:47:57 |
|-----------------|----|--------------|------------|----------|



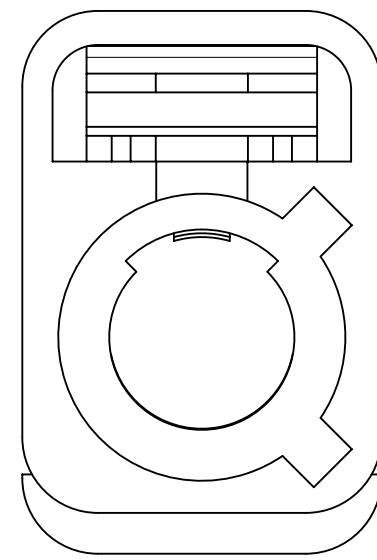
CODE A



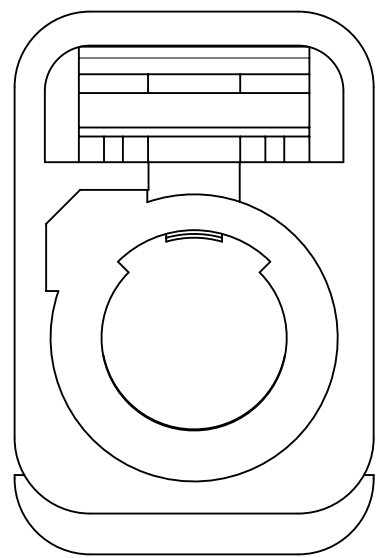
CODE B



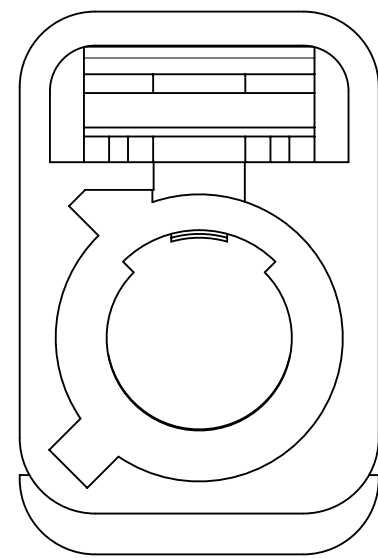
CODE C



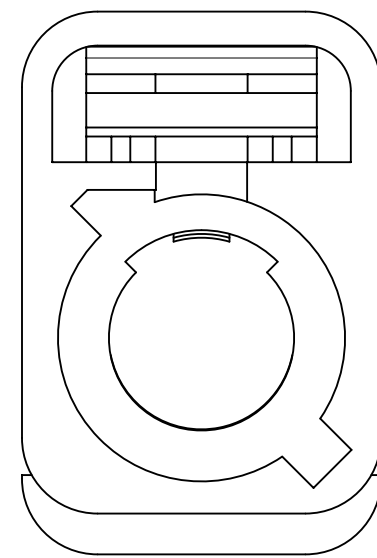
CODE D



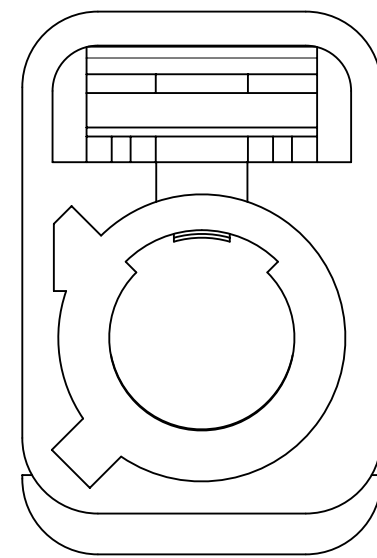
CODE E



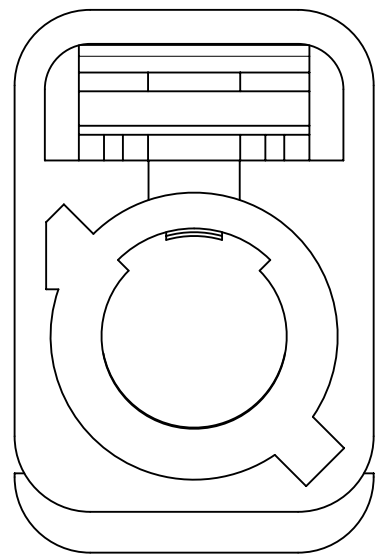
CODE F



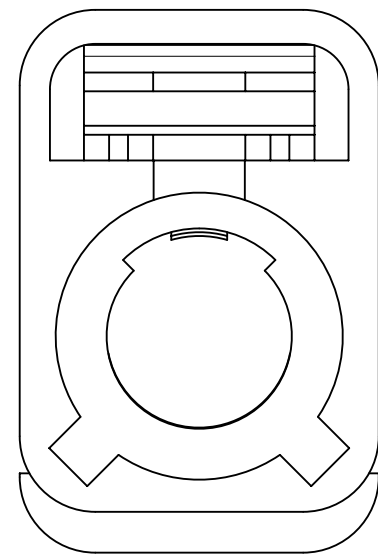
CODE G



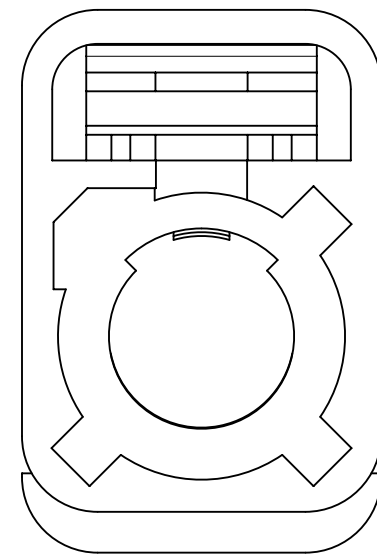
CODE H



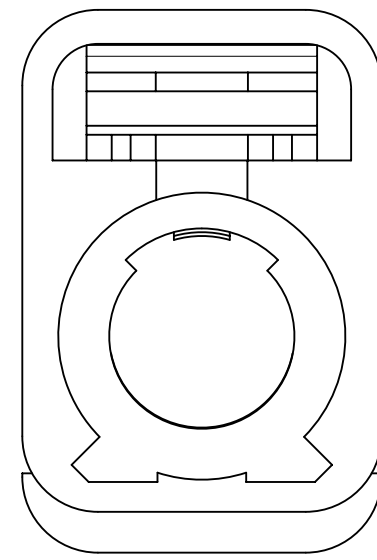
CODE I



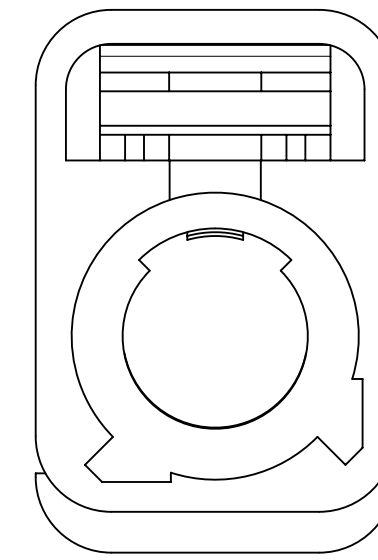
CODE K



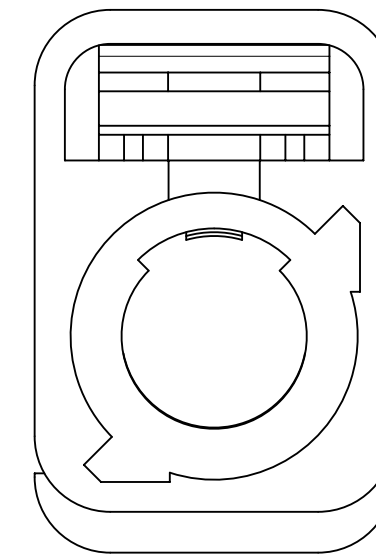
CODE Z



CODE L



CODE M



CODE N

|             |                |            |                 |
|-------------|----------------|------------|-----------------|
| N           | PASTEL GREEN   | 73403-5753 | 89618-3743      |
| M           | PASTEL ORANGE  | 73403-5752 | 89618-3742      |
| L           | CARMINE RED    | 73403-5751 | 89618-3741      |
| Z           | WATER BLUE     | 73403-5750 | 89618-3740      |
| K           | CURRY YELLOW   | 73403-5749 | 89618-3739      |
| I           | BEIGN          | 73403-5748 | 89618-3738      |
| H           | VIOLET         | 73403-5747 | 89618-3737      |
| G           | GRAY           | 73403-5746 | 89618-3736      |
| F           | BROWN          | 73403-5745 | 89618-3735      |
| E           | GREEN          | 73403-5744 | 89618-3734      |
| D           | BORDEAUXVILOET | 73403-5743 | 89618-3733      |
| C           | BLUE           | 73403-5742 | 89618-3732      |
| B           | SINGLE WHITE   | 73403-5741 | 89618-3731      |
| A           | BLACK          | 73403-5740 | 89618-3730      |
| KEYING CODE | COLOR          | PART NO.   | ITEM 3 PART NO. |

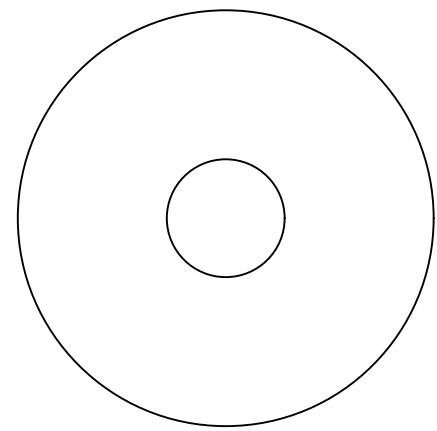
|   |  |                                       |  |                        |  |  |  |           |  |                 |  |
|---|--|---------------------------------------|--|------------------------|--|--|--|-----------|--|-----------------|--|
| THIS DRAWING CONTAINS INFORMATION THAT IS PROPRIETARY TO MOLEX ELECTRONIC TECHNOLOGIES, LLC AND SHOULD NOT BE USED WITHOUT WRITTEN PERMISSION |  |                                       |  |                        |  |  |  |           |  |                 |  |
| SYMBOLS   |  | DIMENSION UNITS                       |  | SCALE                  |  | CURRENT REV DESC:  |  |           |  |                 |  |
| ▽ = 0   |  | HYBRID                                |  | NTS                    |  | EC NO: 615362<br>DRWN: ELIN 2019/04/08<br>CHK'D: YCHENG 2019/04/16<br>APPR: YCHENG 2019/04/16<br>INITIAL REVISION:<br>DRWN: ELIN 2011/02/15<br>APPR: MHUANG 2011/05/27 |  |           |  |                 |  |
| ▽ = 0   |  | GENERAL TOLERANCES (UNLESS SPECIFIED) |  |                        |  |  |  |           |  |                 |  |
| ▽ = 0   |  | ANGULAR TOL ± 2.0°                    |  |                        |  |  |  |           |  |                 |  |
| ▽ = 0   |  | 4 PLACES ±                            |  |                        |  |  |  |           |  |                 |  |
| ▽ = 0   |  | 3 PLACES ±                            |  |                        |  |  |  |           |  |                 |  |
| ▽ = 0   |  | 2 PLACES ±                            |  |                        |  |  |  |           |  |                 |  |
| ▽ = 0   |  | 1 PLACE ±                             |  |                        |  |  |  |           |  |                 |  |
| ▽ = 0   |  | 0 PLACES ±                            |  |                        |  |  |  |           |  |                 |  |
| ☒ = 0   |  | DRAFT WHERE APPLICABLE                |  | THIRD ANGLE PROJECTION |  | DRAWING  |  | SERIES    |  | MATERIAL NUMBER |  |
| ■ = 0   |  | MUST REMAIN WITHIN DIMENSIONS         |  | C-SIZE                 |  | 73403  |  | SEE TABLE |  | CUSTOMER        |  |
| ▽ = 0   |  |                                       |  |                        |  |  |  |           |  | SHEET NUMBER    |  |
|   |  |                                       |  |                        |  |  |  |           |  | 2 OF 3          |  |

**molex**

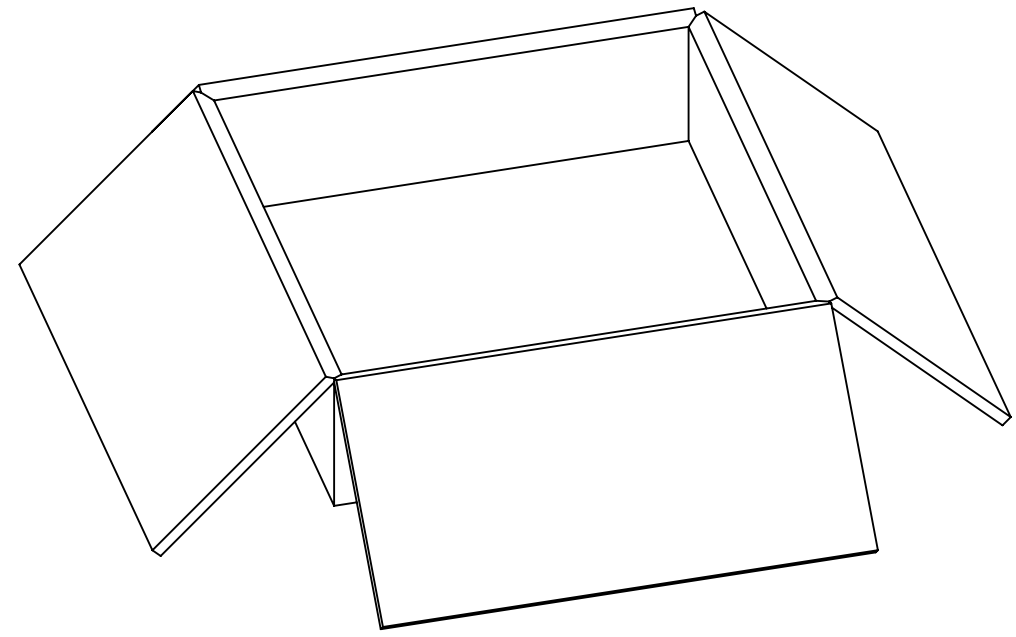
FAKRA PLUG STR. FOR  
RG316,174 CABLE FAKRA -PC

PRODUCT CUSTOMER DRAWING

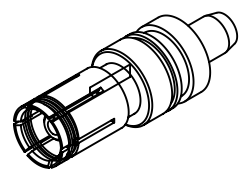
|                 |          |          |          |
|-----------------|----------|----------|----------|
| DOCUMENT NUMBER | DOC TYPE | DOC PART | REVISION |
| SD-73403-574    | PSD      | 001      | C8       |



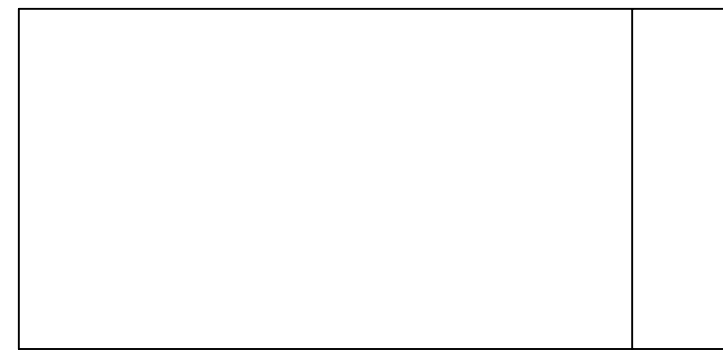
P/N: 89538-0251  
1000 PCS PER REEL



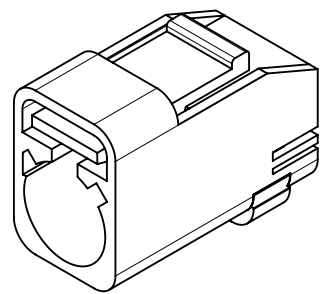
1000 PCS PER INNER  
CARTON BOX  
325 X 325 X 85 REF.



P/N: 89618-3500



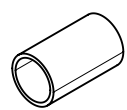
250 PCS PER PE BAG



P/N: 89618-373X



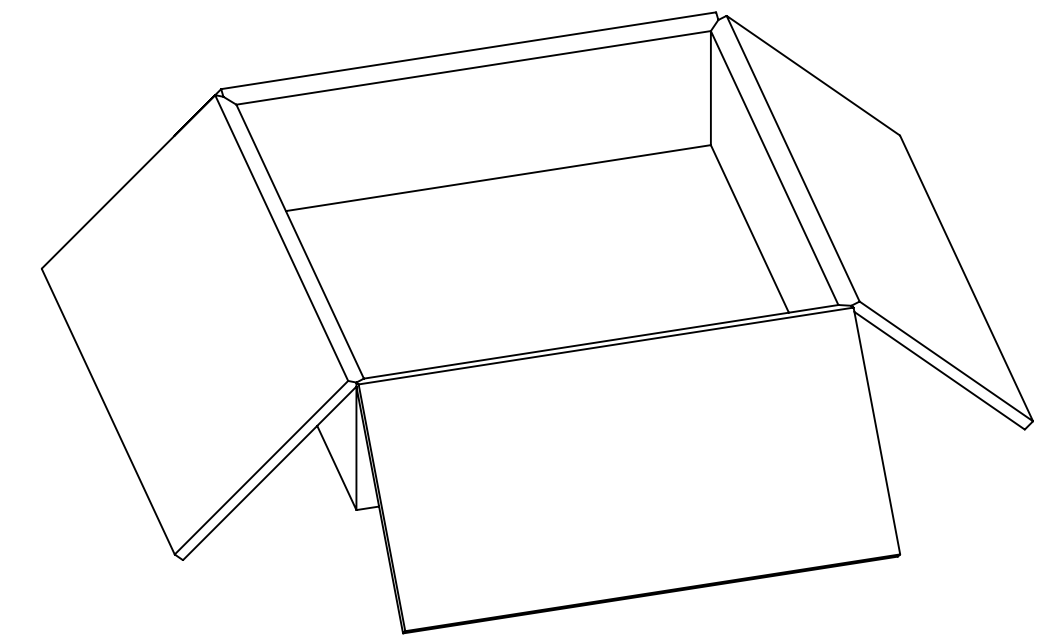
250 PCS PER PE BAG



P/N: 89506-0226



250 PCS PER PE BAG

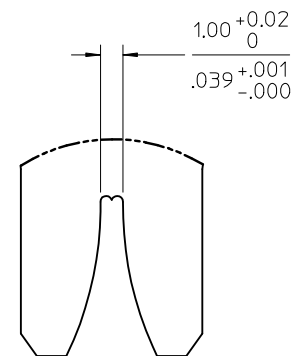
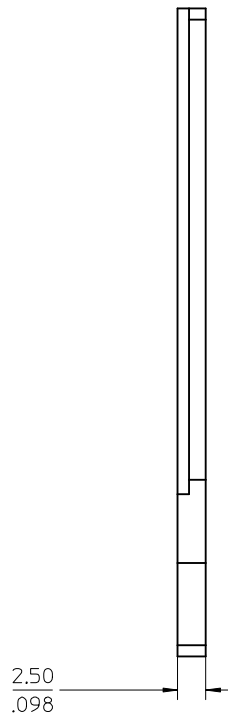
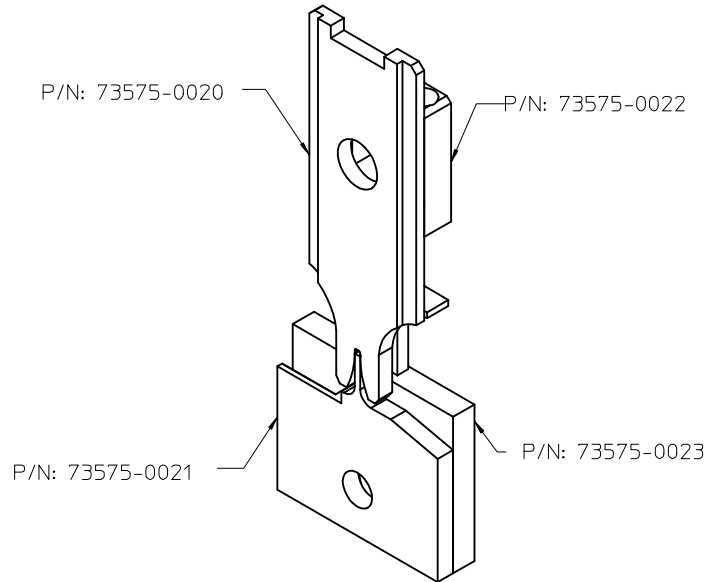
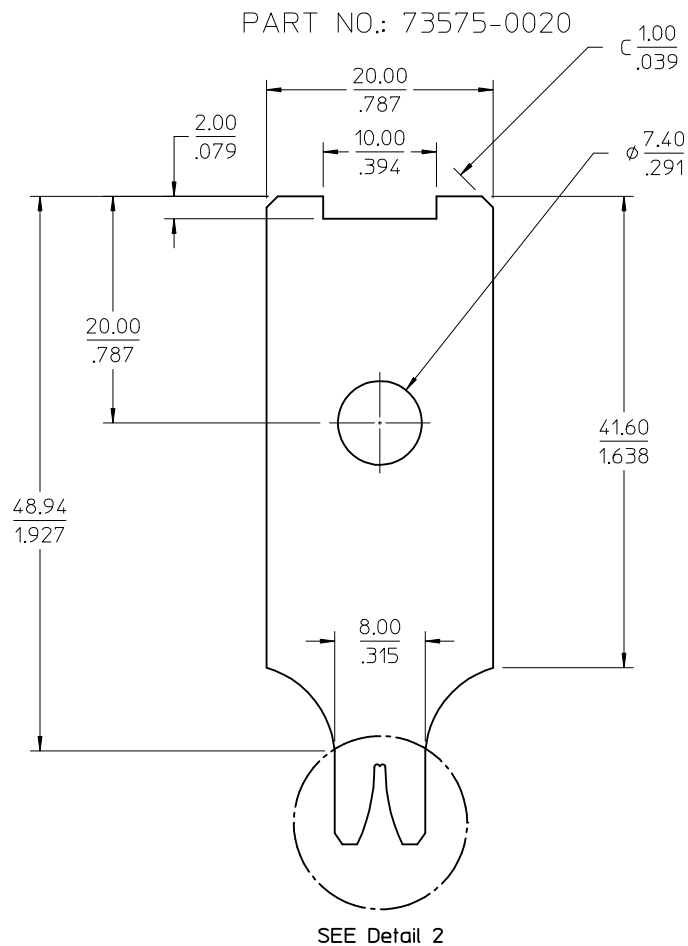


1000 SETS PER OUTER CARTON BOX  
385 X 367 X 206 REF.

|   |   |                        |                   |        |  |                 |              |          |          |
|---|---|------------------------|-------------------|--------|--|-----------------|--------------|----------|----------|
| <b>SYMBOLS</b><br>= 0<br>= 0<br>= 0<br>= 0<br>= 0<br>= 0<br>= 0<br>= 0<br>= 0 | THIS DRAWING CONTAINS INFORMATION THAT IS PROPRIETARY TO MOLEX ELECTRONIC TECHNOLOGIES, LLC AND SHOULD NOT BE USED WITHOUT WRITTEN PERMISSION |                        | CURRENT REV DESC: |        | <br><br>FAKRA PLUG STR. FOR<br>RG316,174 CABLE FAKRA -PC<br><br>PRODUCT CUSTOMER DRAWING |                 |              |          |          |
|   | DIMENSION UNITS   | SCALE                  |                   |        |  | DOCUMENT NUMBER | DOC TYPE     | DOC PART | REVISION |
|   | HYBRID  | NTS                    |                   |        |  | SD-73403-574    | PSD          | 001      | C8       |
|   | GENERAL TOLERANCES (UNLESS SPECIFIED)   |                        | EC NO: 615362     |        | 2011/02/15   |                 |              |          |          |
|   | ANGULAR TOL ± 2.0°  |                        | DRWN: ELIN        |        | 2019/04/08   |                 |              |          |          |
|   | 4 PLACES ±  |                        | CHK'D: YCHENG     |        | 2019/04/16   |                 |              |          |          |
|   | 3 PLACES ±  |                        | APPR: YCHENG      |        | 2019/04/16   |                 |              |          |          |
|   | 2 PLACES ±  |                        | INITIAL REVISION: |        |  |                 |              |          |          |
|   | 1 PLACE ±   |                        | DRWN: ELIN        |        | 2011/02/15   |                 |              |          |          |
|   | 0 PLACES ±  |                        | APPR: MHUANG      |        | 2011/05/27   |                 |              |          |          |
| DRAFT WHERE APPLICABLE MUST REMAIN WITHIN DIMENSIONS                          |   | THIRD ANGLE PROJECTION | DRAWING           | SERIES | MATERIAL NUMBER  | CUSTOMER        | SHEET NUMBER |          |          |
|   |   |                        | C-SIZE            | 73403  | SEE TABLE  | GENERAL MARKET  | 3 OF 3       |          |          |

NOTES:

1. MATERIAL: SKD11
2. THE PART NO. 73575-0020/-0021/-0022/-0023 FOR SPECIFIC APPLICATORS.  
(SPECIFIC APPLICATORS MODEL: CLM-4S)
3. THE SPECIFIC APPLICATORS CRIMP DIE CAN BE APPLIED TO 89538-025\* AND 89601-896\*.
4. AS-73597-042 AND AS-73597-043.



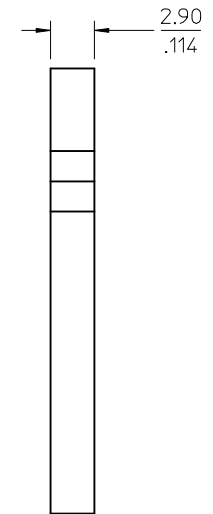
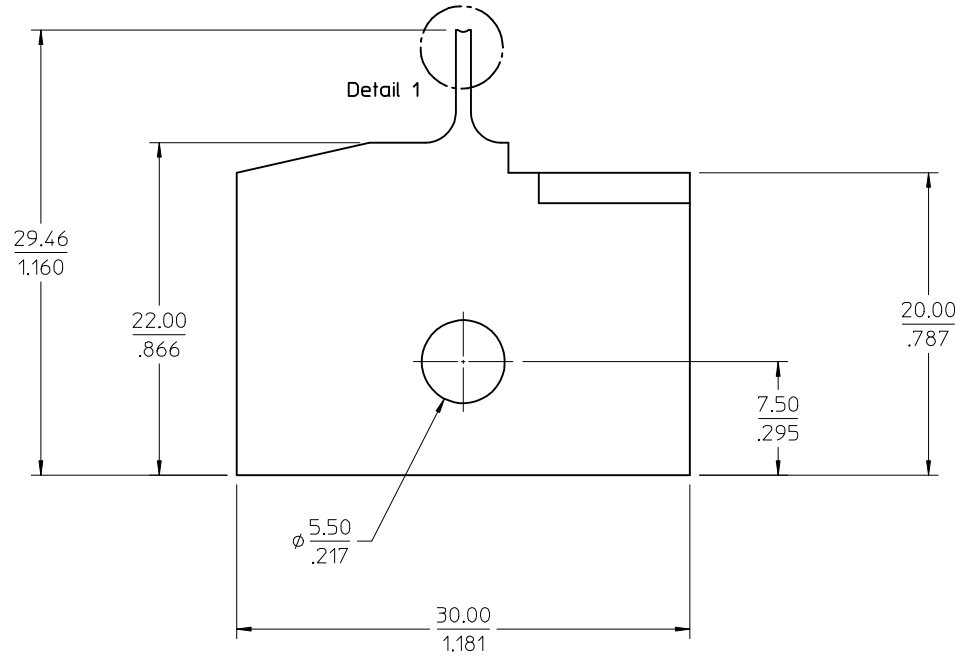
Detail 2  
Scale 6:1

|   |                     |  |   |  |              |                        |
|---|---------------------|--|---|--|--------------|------------------------|
| <b>DESIGN CHANGE PER RF15-E097</b><br>EC NO: URF2015-0345<br>DRWNLIN 2015/01/05<br>CHKD: DRWNLIN<br>APPR: YCHENG 2015/04/16<br>REV: | QUALITY SYMBOLS     | GENERAL TOLERANCES (UNLESS SPECIFIED)                | DIMENSION STYLE   | SCALE  | DESIGN UNITS | THIRD ANGLE PROJECTION |
|   | ▽=0                 | mm INCH  | MM/IN   | 4:1  | METRIC       | ☉                      |
|   | ▽=0                 | 4 PLACES ± --- ± ---                                 | DRAWN BY DATE   | TITLE  |              |                        |
|   | ▽=0                 | 3 PLACES ± --- ± ---                                 | EL IN 2014/11/21  | FAKRA CRIMPING DIE FOR SPECIFIC APPLICATORS                |              |                        |
|   | ▽=0                 | 2 PLACES ± --- ± ---                                 | CHECKED BY DATE   | <b>molex</b><br>DOCUMENT NO. SD-73575-002 SHEET NO. 1 OF 4 |              |                        |
|   | 1 PLACE ± --- ± --- | KERRIE/PAT 2014/11/21                                |   |  |              |                        |
|   | 0 PLACE ± --- ± --- | APPROVED BY DATE                                     | MATERIAL NO. SEE SHEET 1  |  |              |                        |
|   |                     | YCHENG 2014/12/01                                    | THIS DRAWING CONTAINS INFORMATION THAT IS PROPRIETARY TO MOLEX INCORPORATED AND SHOULD NOT BE USED WITHOUT WRITTEN PERMISSION |  |              |                        |
|   |                     | ANGULAR ± 2 °  |   |  |              |                        |
|   |                     | DRAFT WHERE APPLICABLE MUST REMAIN WITHIN DIMENSIONS |   |  |              |                        |

1.000<sup>0</sup>  
-0.020  
0.039<sup>+0.000</sup>  
-0.001

PART NO.: 73575-0021

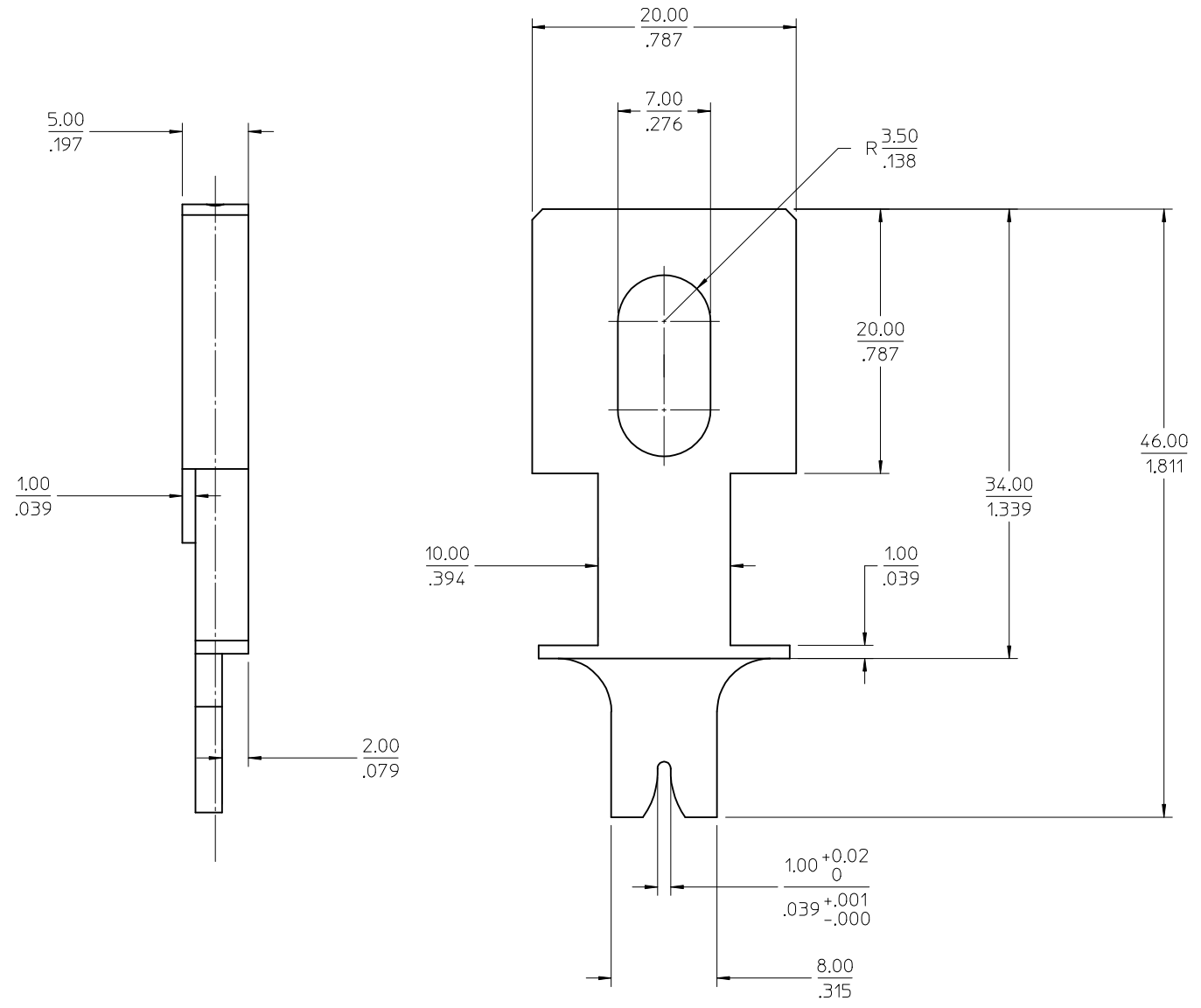
Detail 1  
Scale 20:1



|   |                                      |                                       |  |                          |                          |                    |  |                        |  |  |
|---|--------------------------------------|---------------------------------------|--|--------------------------|--------------------------|--------------------|--|------------------------|--|--|
| SEE SHEET 1<br>EC NO: URF2015-0345<br>DRWN:ELIN 2015/01/05<br>CHKD:<br>APPR:YCHENG 2015/04/16                                 | QUALITY SYMBOLS<br>▽=0<br>▽=0<br>▽=0 | GENERAL TOLERANCES (UNLESS SPECIFIED) |  | DIMENSION STYLE<br>MM/IN |                          | SCALE<br>1:1       | DESIGN UNITS<br>METRIC                               | THIRD ANGLE PROJECTION |  |  |
|   |                                      | 4 PLACES ± --- ± ---                  | mm   | INCH                     | DRAWN BY<br>ELIN         | DATE<br>2014/11/21 | TITLE<br>FAKRA CRIMPING DIE FOR SPECIFIC APPLICATORS |                        |  |  |
|   |                                      | 3 PLACES ± --- ± ---                  |  |                          | CHECKED BY<br>KERRIE/PAT | DATE<br>2014/11/21 |  |                        |  |  |
|   |                                      | 2 PLACES ± --- ± ---                  |  |                          | APPROVED BY<br>YCHENG    | DATE<br>2014/12/01 |  |                        |  |  |
| 1 PLACE ± --- ± ---   |                                      |                                       | ANGULAR ± 2 °  |                          | MATERIAL NO.             | DOCUMENT NO.       |  | SHEET NO.              |  |  |
| 0 PLACE ± --- ± ---   |                                      |                                       | DRAFT WHERE APPLICABLE MUST REMAIN WITHIN DIMENSIONS |                          | SEE SHEET 1              | SD-73575-002       |  | 2 OF 4                 |  |  |
| THIS DRAWING CONTAINS INFORMATION THAT IS PROPRIETARY TO MOLEX INCORPORATED AND SHOULD NOT BE USED WITHOUT WRITTEN PERMISSION |                                      |                                       |  |                          |                          |                    |  |                        |  |  |

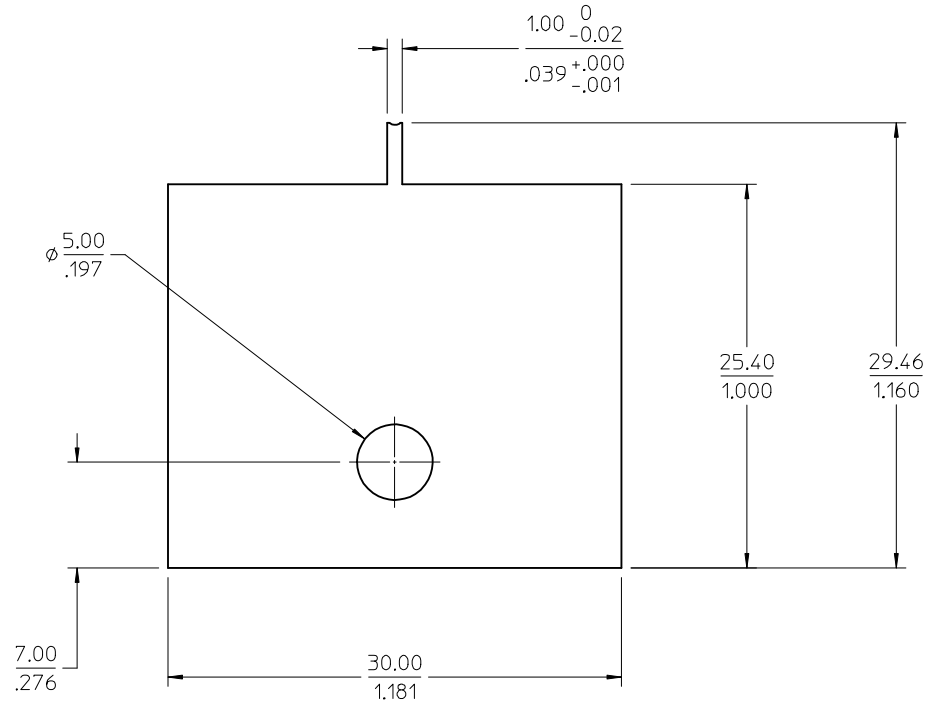
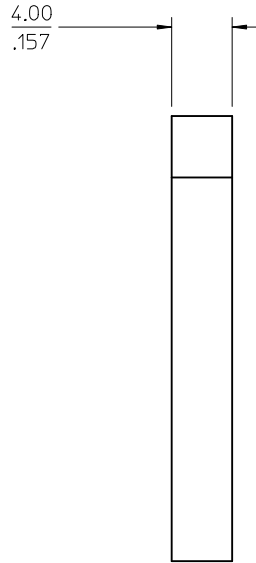
**molex**

PART NO.: 73575-0022



|   |                 |  |   |              |              |   |  |
|---|-----------------|--|---|--------------|--------------|---|--|
| <b>SEE SHEET 1</b><br>EC NO: URF2015-0345<br>DRAWN/LIN 2015/01/05<br>CHKD: DRWNLIN<br>APPR: YCHENG 2015/04/16<br>REV: B | QUALITY SYMBOLS | GENERAL TOLERANCES (UNLESS SPECIFIED)                | DIMENSION STYLE   | SCALE        | DESIGN UNITS | THIRD ANGLE PROJECTION                      |  |
|   | ▽=0             | mm INCH  | MM/IN   | 4:1          | METRIC       |   |  |
|   | ▽=0             | 4 PLACES ± --- ± ---                                 | DRAWN BY DATE   |              |              | TITLE                                       |  |
|   | ▽=0             | 3 PLACES ± --- ± ---                                 | EL IN 2014/11/21  |              |              | FAKRA CRIMPING DIE FOR SPECIFIC APPLICATORS |  |
|   |                 | ANGULAR ± 2 °  | CHECKED BY DATE   |              |              |   |  |
|   |                 | DRAFT WHERE APPLICABLE MUST REMAIN WITHIN DIMENSIONS | KERRIE/PAT 2014/11/21   |              |              |   |  |
|   |                 |  | APPROVED BY DATE  |              |              |   |  |
|   |                 |  | YCHENG 2014/12/01   |              |              |   |  |
|   |                 |  | MATERIAL NO.  | DOCUMENT NO. |              | SHEET NO.                                   |  |
|   |                 |  | SEE SHEET 1   | SD-73575-002 |              | 3 OF 4                                      |  |
|   |                 |  | THIS DRAWING CONTAINS INFORMATION THAT IS PROPRIETARY TO MOLEX INCORPORATED AND SHOULD NOT BE USED WITHOUT WRITTEN PERMISSION |              |              |   |  |

PART NO.: 73575-0023



|  |                                      |  |       |                          |   |  |                        |  |
|--|--------------------------------------|--|-------|--------------------------|---|--|------------------------|--|
| SEE SHEET 1<br>EC NO: URF2015-0345<br>DRAWN: ELIN 2015/01/05<br>CHKD:<br>APPR: YCHENG 2015/04/16 | QUALITY SYMBOLS<br>▽=0<br>▽=0<br>▽=0 | GENERAL TOLERANCES (UNLESS SPECIFIED)                |       | DIMENSION STYLE<br>MM/IN | SCALE<br>4:1  | DESIGN UNITS<br>METRIC                               | THIRD ANGLE PROJECTION |  |
|  |                                      | mm   | INCH  | DRAWN BY<br>EL IN        | DATE<br>2014/11/21  | TITLE<br>FAKRA CRIMPING DIE FOR SPECIFIC APPLICATORS |                        |  |
|  |                                      | 4 PLACES ± ---                                       | ± --- | CHECKED BY<br>KERRIE/PAT | DATE<br>2014/11/21  |  |                        |  |
|  |                                      | 3 PLACES ± ---                                       | ± --- | APPROVED BY<br>YCHENG    | DATE<br>2014/12/01  |  |                        |  |
| 2 PLACES ± ---   | ± ---                                | ANGULAR ± 2°   |       | MATERIAL NO.             | DOCUMENT NO.  | SHEET NO.  |                        |  |
| 1 PLACE ± ---  | ± ---                                | DRAFT WHERE APPLICABLE MUST REMAIN WITHIN DIMENSIONS |       | SEE SHEET 1              | SD-73575-002  | 4 OF 4   |                        |  |
| 0 PLACE ± ---  | ± ---                                |  |       | SIZE C                   | THIS DRAWING CONTAINS INFORMATION THAT IS PROPRIETARY TO MOLEX INCORPORATED AND SHOULD NOT BE USED WITHOUT WRITTEN PERMISSION |  |                        |  |

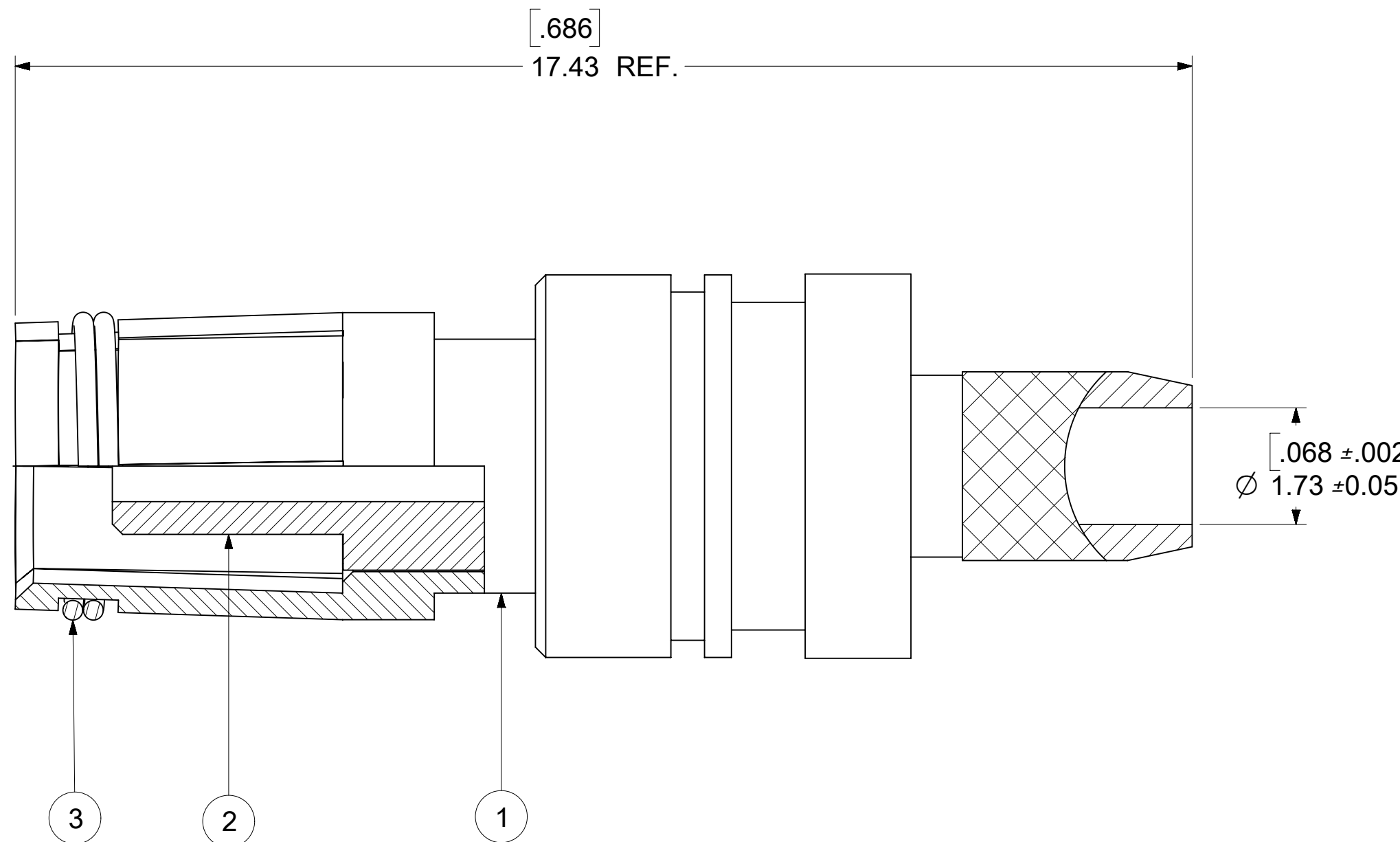
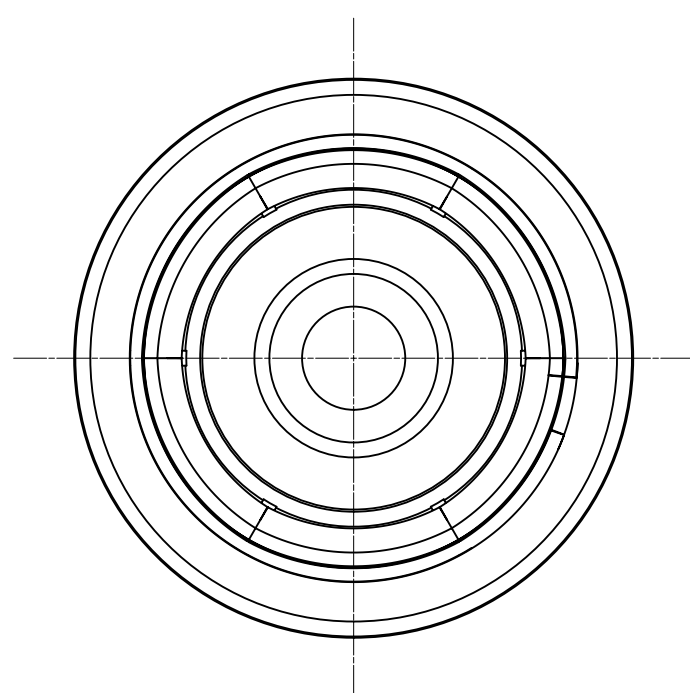
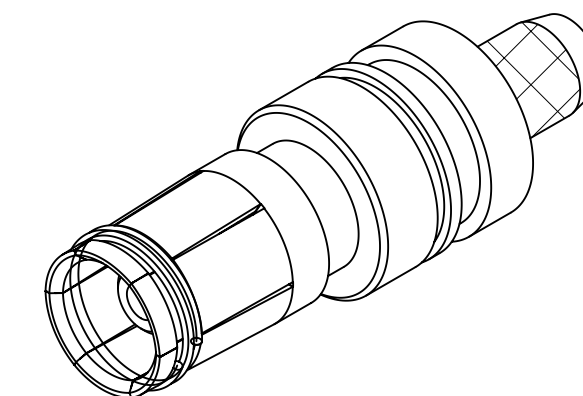
**molex**

MATERIALS AND FINISHS

BODY BRASS  
PLATED NICKEL

INSULATOR PP

RETAINING RING STEEL (SUS304)



PART # 89618-3500

|   |            |                |     |
|---|------------|----------------|-----|
| 3 | 89615-2060 | RETAINING RING | 1   |
| 2 | 89621-4400 | INSULATOR      | 1   |
| 1 | 89696-7891 | BODY           | 1   |
|   | PART NO.   | DESCRIPTION    | QTY |

|            |      |                             |
|------------|------|-----------------------------|
| 2018/10/17 | C5   | REMOVE II PER EWR # 11896-B |
| 2015/04/27 | C4   | TYP0                        |
| DATE       | REV. | DESCRIPTION                 |

|                 |    |              |            |          |
|-----------------|----|--------------|------------|----------|
| DOCUMENT STATUS | P1 | RELEASE DATE | 2018/10/23 | 08:38:35 |
|-----------------|----|--------------|------------|----------|

|         |   |                        |  |                            |                        |                |
|---------|---|------------------------|--|----------------------------|------------------------|----------------|
| SYMBOLS | THIS DRAWING CONTAINS INFORMATION THAT IS PROPRIETARY TO MOLEX ELECTRONIC TECHNOLOGIES, LLC AND SHOULD NOT BE USED WITHOUT WRITTEN PERMISSION |                        |  |                            |                        |                |
|         | DIMENSION UNITS   | SCALE                  | CURRENT REV DESC:  |                            |                        |                |
| ▽ = 0   | HYBRID  | NTS                    | EC NO: 606239<br>DRWN: ELIN 2018/10/17<br>CHK'D: YCHENG 2018/10/23<br>APPR: YCHENG 2018/10/23<br>INITIAL REVISION:<br>DRWN: ELIN 2013/11/07<br>APPR: MHUANG 2014/04/16 |                            |                        |                |
| ▽ = 0   | GENERAL TOLERANCES (UNLESS SPECIFIED)   |                        |  |                            |                        |                |
| ▽ = 0   | ANGULAR TOL ± 2.0°  |                        |  |                            |                        |                |
| ▽ = 0   | 4 PLACES  | ±                      |  |                            |                        |                |
| ▽ = 0   | 3 PLACES  | ±                      | DOCUMENT NUMBER<br><b>SD-89618-350</b>   | DOC TYPE<br>PSD            | DOC PART<br>001        | REVISION<br>A1 |
| ▽ = 0   | 2 PLACES  | ±                      |  |                            |                        |                |
| ▽ = 0   | 1 PLACE   | ±                      | MATERIAL NUMBER<br>SEE TABLE   | CUSTOMER<br>GENERAL MARKET | SHEET NUMBER<br>1 OF 1 |                |
| ▽ = 0   | 0 PLACES  | ±                      |  |                            |                        |                |
| ▽ = 0   | DRAFT WHERE APPLICABLE MUST REMAIN WITHIN DIMENSIONS  | THIRD ANGLE PROJECTION | DRAWING  | SERIES                     |                        |                |
| ▽ = 0   |   |                        | C-SIZE   | 89618                      |                        |                |

**molex**

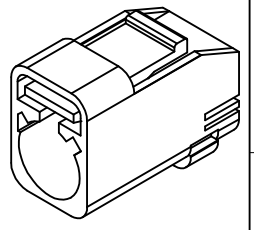
FAKRA SUB ASSY FOR  
RG316,174 CABLE SA-SMB-P

PRODUCT CUSTOMER DRAWING



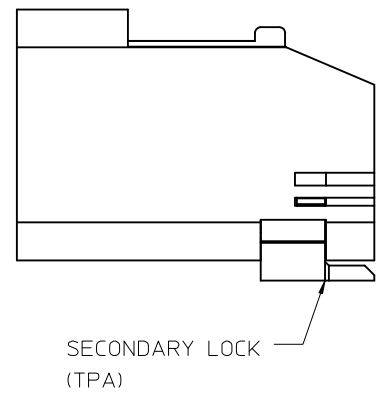
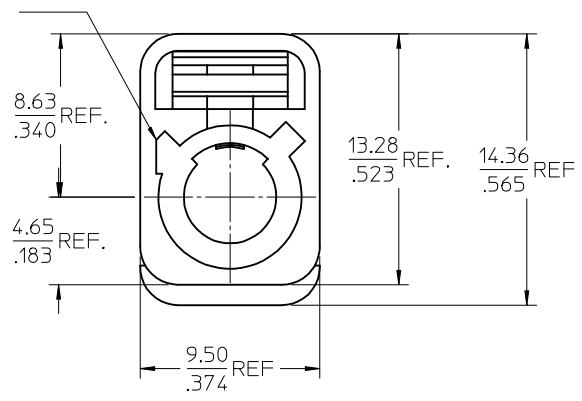
MATERIALS AND FINISHES

OUTER CASING: NYLON 66 OR EQUIVALENT  
 KEYING: SEE TABLE  
 COLOR: SEE TABLE

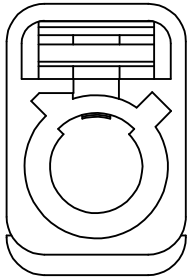


- NOTES:
- 250 PCS (89618-37XX) PER ZIPLOCK BAG.  
 NOTICE: THE BAG MUST BE COMPLETELY SEALED.
  - STORAGE CONDITIONS:  
 TEMPERATURE -10° TO 40°C HUMIDITY <75%

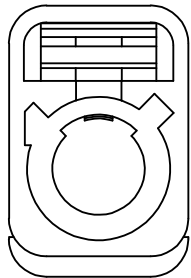
FAKRA  
 CONNECTOR  
 KEYING  
 CODE B SHOWN



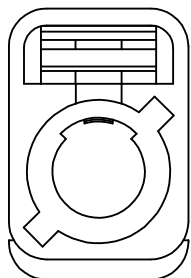
|   |                       |                   |                                       |                          |   |              |                        |                        |
|---|-----------------------|-------------------|---------------------------------------|--------------------------|---|--------------|------------------------|------------------------|
| ADDED NOTES<br>PER RF15-E102<br>EC NO: URF2015-0316<br>DRWNLIN 2015/01/26<br>CHKD:<br>APPR: YCHENG 2015/02/03 | DESCRIPTION<br>REV    | QUALITY SYMBOLS   | GENERAL TOLERANCES (UNLESS SPECIFIED) | DIMENSION STYLE<br>MM/IN |   | SCALE<br>5:1 | DESIGN UNITS<br>METRIC | THIRD ANGLE PROJECTION |
|   |                       | ▽=0               | mm INCH                               | DRAWN BY DATE            | TITLE<br>SUB ASSY SHROUD WITH SECONDARY LOCKING   |              |                        |                        |
|   |                       | ▽=0               | 4 PLACES ± .004 ± .004                | EL IN 2013/11/07         |   |              |                        |                        |
|   |                       | ▽=0               | 3 PLACES ± .004 ± .004                | CHECKED BY DATE          | DOCUMENT NO.<br>SD-89618-373  |              |                        |                        |
|   |                       | ▽=0               | 2 PLACES ± .004 ± .004                | JUDY 2013/11/07          |   |              |                        |                        |
| ▽=0   | 1 PLACE ± .004 ± .004 | APPROVED BY DATE  | SHEET NO.<br>1 OF 2                   |                          |   |              |                        |                        |
| ▽=0   | 0 PLACE ± .004 ± .004 | MHUANG 2014/04/16 |                                       |                          |   |              |                        |                        |
| ANGULAR ± 2 °   |                       |                   | MATERIAL NO.                          |                          | THIS DRAWING CONTAINS INFORMATION THAT IS PROPRIETARY TO MOLEX INCORPORATED AND SHOULD NOT BE USED WITHOUT WRITTEN PERMISSION |              |                        |                        |
| DRAFT WHERE APPLICABLE MUST REMAIN WITHIN DIMENSIONS  |                       |                   | SEE SHEET 2                           |                          |   |              |                        |                        |



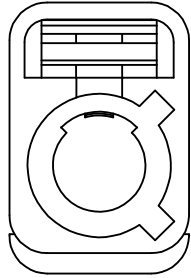
CODE A



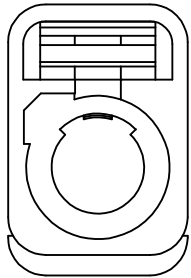
CODE B



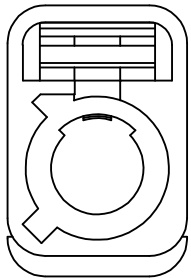
CODE C



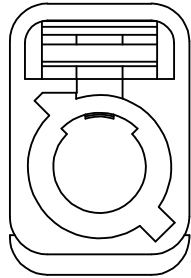
CODE D



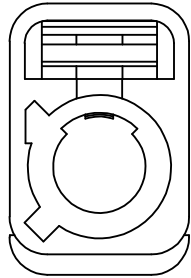
CODE E



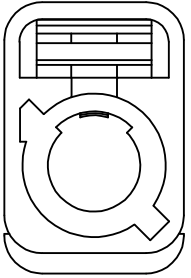
CODE F



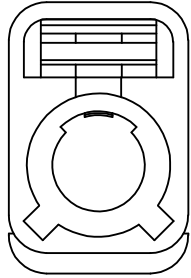
CODE G



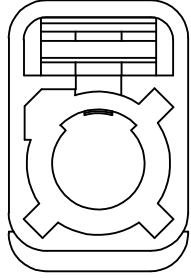
CODE H



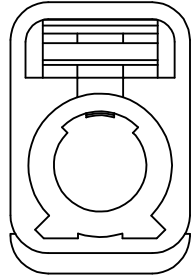
CODE I



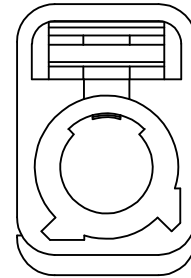
CODE K



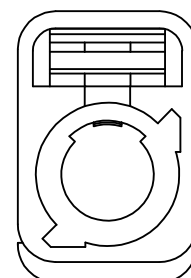
CODE Z



CODE L



CODE M



CODE N

|             |                |            |
|-------------|----------------|------------|
| N           | PASTEL GREEN   | 89618-3743 |
| M           | PASTEL ORANGE  | 89618-3742 |
| L           | CARMINE RED    | 89618-3741 |
| Z           | WATER BLUE     | 89618-3740 |
| K           | CURRY YELLOW   | 89618-3739 |
| I           | BEIGE          | 89618-3738 |
| H           | VIOLET         | 89618-3737 |
| G           | GRAY           | 89618-3736 |
| F           | BROWN          | 89618-3735 |
| E           | GREEN          | 89618-3734 |
| D           | BORDEAUXVIOLET | 89618-3733 |
| C           | BLUE           | 89618-3732 |
| B           | CREAM WHITE    | 89618-3731 |
| A           | BLACK          | 89618-3730 |
| KEYING CODE | COLOR          | PART NO.   |

SEE SHEET 1  
 EC NO: URF2015-0316  
 DRWNLIN 2015/01/26  
 CHKD:  
 APPR: YCHENG 2015/02/03

| REV | DESCRIPTION |
|-----|-------------|
| A1  |             |

| QUALITY SYMBOLS |     |
|-----------------|-----|
|                 | = 0 |
|                 | = 0 |
|                 | = 0 |

| GENERAL TOLERANCES (UNLESS SPECIFIED)                |        |
|--|--------|
|  | mm     |
| 4 PLACES   | ± .005 |
| 3 PLACES   | ± .008 |
| 2 PLACES   | ± .012 |
| 1 PLACE  | ± .015 |
| 0 PLACE  | ± .020 |
| ANGULAR ± 2°   |        |
| DRAFT WHERE APPLICABLE MUST REMAIN WITHIN DIMENSIONS |        |

| DIMENSION STYLE |            |
|-----------------|------------|
| MM/IN           |            |
| DRAWN BY        | EL IN      |
| DATE            | 2013/11/07 |
| CHECKED BY      | JUDY       |
| DATE            | 2013/11/07 |
| APPROVED BY     | MHUANG     |
| DATE            | 2014/04/16 |

| SCALE   | 5:1    |  |
|---|--------|--|
| DESIGN UNITS  | METRIC |  |
| THIRD ANGLE PROJECTION  |        |  |
| TITLE   |        | SUB ASSY SHROUD WITH SECONDARY LOCKING |
| DOCUMENT NO.  |        | SD-89618-373                           |
| SHEET NO.   |        | 2 OF 2                                 |
| THIS DRAWING CONTAINS INFORMATION THAT IS PROPRIETARY TO MOLEX INCORPORATED AND SHOULD NOT BE USED WITHOUT WRITTEN PERMISSION |        |  |