



Quality Products. Service Excellence.

1200 BTU/H Indoor Air Conditioner *DTS Series*

Type 12, Side Mounting

Note: This product line has been discontinued as a stocked series. Information is for reference only. It has been replaced with **DTS3021 Series**. For alternative solution assistance, **contact Hammond here** or call: USA (716) 630-7030, Canada and International (519) 822-2960.



Description

- Designed for side mounting on any enclosure surface where hot spot cooling or low capacity cooling is required.
- Compact design uses minimal surface area.
- Closed loop cooling ensures clean enclosure air is recirculated without ever mixing with contaminated ambient air.

Standards

- Maintains enclosure's NEMA 12 rating
- IP 54
- UR, cUR and CE

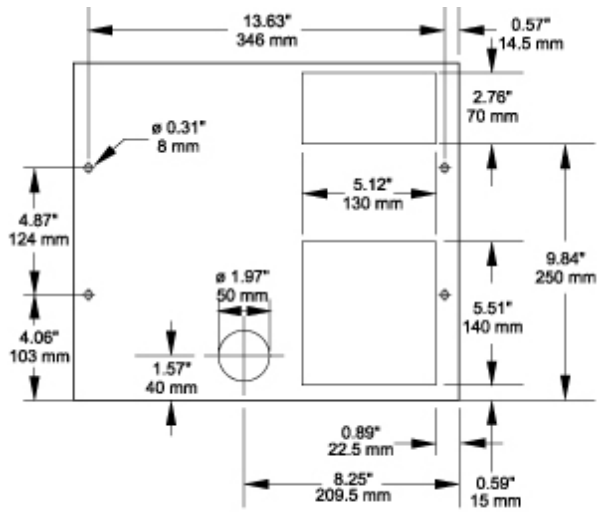
Features

- R134a refrigerant.
- Thermostat control.
- Continuous air circulation from high capacity fans.
- EMI/RFI suppression meets CE.
- Line cord with plug (115 V).
- Washable filter mat protected within an easily removable grill.
- Gasket, mounting kit and template for enclosure cutout and drilling are included.
- Condensate drain hose and clamp provided.
- Exterior case easily removable for field service.
- Q Mount allows unit to hang in place for easy installation.

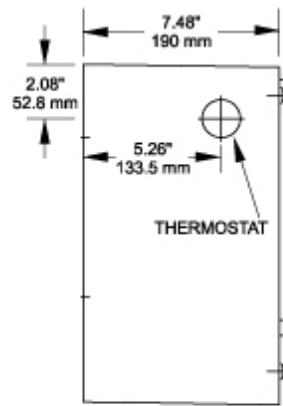
Accessories

- Gasket Kits
- Condensate Bottle

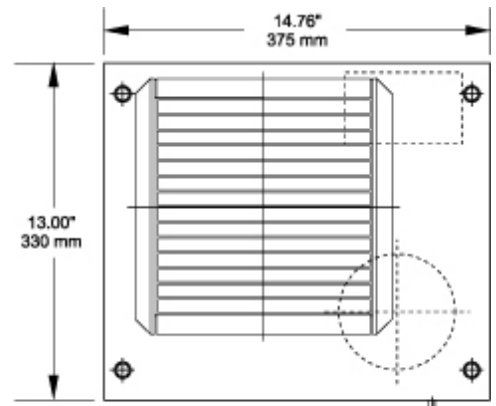




Drilling Template



Left Side View



Front View

| Part No. | Ship Wt. lbs |
|---------------|--------------|
| DTS1200A115LG | 42 |
| DTS1200A230LG | 42 |

| Electrical Data | DTS1200A115 | DTS1200A230LG |
|--------------------|-------------|----------------|
| Rated Voltage | 115 V 60 Hz | 230 V 50/60 Hz |
| | 110 v 50 Hz | |
| Range of Operation | 103-127 V | 207-253 V |
| Power Consumption | 200 W | 200 W |
| Running Amps | 2.2 A | 1.3/2.5 A |
| Starting Current | 15.7 A | 9.5/13.0 A |
| Line Cord | With Plug | Without Plug |

| Refrigeration Data | |
|-----------------------------|--|
| Rated Capacity | 1,200 BTU/H (350 Watts) |
| Type of Refrigerant | R134a |
| Refrigerant Charge | 280 g |
| Adjustable Thermostat | Factory setting +95°F (+35°C) |
| Max. Ambient Air Temp. | +125°F (+52°C) |
| Min. Ambient Air Temp. | +46°F (+8°C) |
| Air Capacity (unrestricted) | Internal Circulation 106 CFM External Circulation 230 CFM |
| Condensation Discharge | Direct via tube |
| Filter Mat | 150 g/m ² |
| Db Noise Level | <62 dB (A) |
| Unit Weight | 40 lbs (18 kg) |
| Exterior Case | Galvanized sheet metal |
| Finish | RAL7035 light grey finish |
| NEMA Rating | Enclosures IP 54/NEMA 12 |

Data subject to change without notice

© 2020. Hammond Manufacturing Ltd. All rights reserved.