

FCI CONFIDENTIAL



This document is the property of and embodies CONFIDENTIAL and PROPRIETARY information of FCI. No part of the information shown on this document may be used in any way or disclosed to others without the written consent of FCI. Copyright FCI.

PRODUCT NUMBER
20020008-XXX1B01LF

20020008 - [] [] [] 1 B 0 1 L F

PITCH

POLES

C: 3.50 mm
D: 3.81 mm
G: 5.00 mm
H: 5.08 mm

02: 2 POLES
03: 3 POLES
04: 4 POLES
|
24: 24 POLES

| PROPERTY TABLE | | | | |
|----------------------------|----------|----------|---------|---------|
| FCI SERIES NAME | 02-350 | 02-381 | 02-500 | 02-508 |
| PITCH (mm) | 3.50 | 3.81 | 5.00 | 5.08 |
| VOLTAGE RATING (VAC) | 300 | 300 | 300 | 300 |
| CURRENT RATING (A) | 8 | 8 | 12 | 12 |
| SOLID/STRANDED WIRE (AWG) | 16~28 | 16~28 | 12~24 | 12~24 |
| WIRE CROSS SECTION (mm×mm) | 1.5~0.15 | 1.5~0.15 | 4.0~0.2 | 4.0~0.2 |
| WIRE STRIP LENGTH(mm) | 6~7 | 6~7 | 6~7 | 6~7 |
| TORQUE (N·m/Lb·in) | 0.19/1.7 | 0.19/1.7 | 0.4/3.5 | 0.4/3.5 |
| SCREW | M2 | M2 | M3 | M3 |
| WITHSTANDING VOLTAGE (kV) | 1.6 | 1.6 | 1.6 | 1.6 |
| OPERATING TEMP. (°C) | -40~115 | -40~115 | -40~115 | -40~115 |
| POLES AVAILABLE | 02~24 | 02~24 | 02~24 | 02~24 |
| SAFETY CERTIFICATE | | | pending | |

NOTES:

- MATERIALS
 - 1-1 HOUSING: THERMALPLASTIC RESIN, UL 94V-0 RATED, COLOR GREEN.
 - 1-2 SCREW: STEEL, ZINC PLATED.
 - 1-3 CLAMP: BRASS, NICKEL PLATED.
 - 1-4 TERMINAL: PHOSPHOROUS BRONZES, TIN PLATED.
- PRODUCT SPECIFICATION REFER TO FCI GS-12-625.
- BOXED PACKAGING, DETAILED PRODUCT PACKING SPECIFICATION REFER TO FCI GS-14-1394.
- FCI, SAFETY CERTIFICATE LOGO AND SERIES NAME TO BE SHOWN ON PRODUCT SURFACE.

| TOLERANCES UNLESS OTHERWISE SPECIFIED | | rev | ecn no | dr | date |
|---------------------------------------|-----|-------|--------|----|------|
| LINEAR | X | ±0.5 | - | - | - |
| | XX | ±0.30 | - | - | - |
| | XXX | ±0.10 | - | - | - |
| ANGULAR | X* | ±1* | - | - | - |

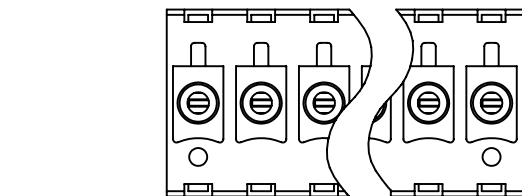
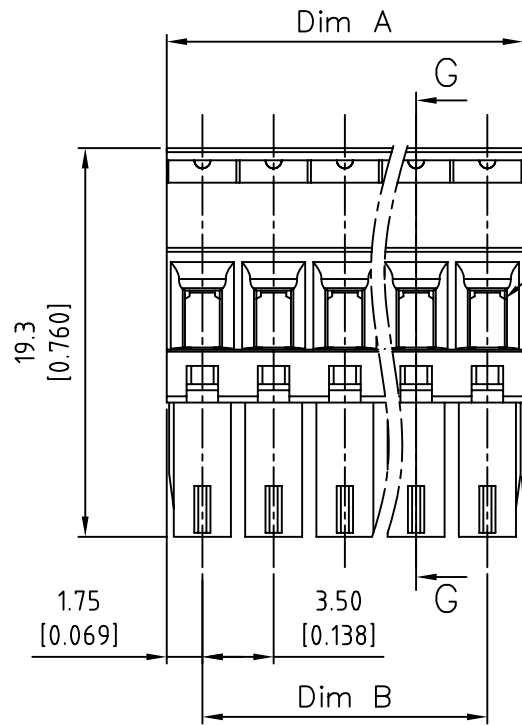
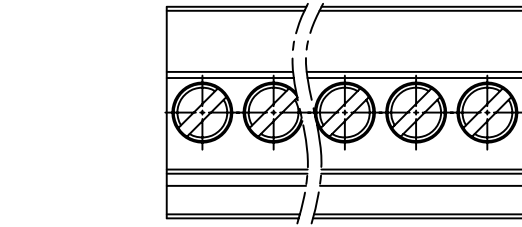
| | | | |
|----------------|---------------------------------|------------|--------------------|
| Material | | Spec ref * | |
| Mat code | | tolerance | projection |
| Heattreat | | ✓ | ⊕ |
| Plating/Finish | | | MM |
| Dr | BEER FU | 062509 | size A4 |
| Eng | BEER FU | 062509 | Scale |
| Chr | GARY HSIEH | 062509 | Product family |
| Appr | JOSEPH HSIA | 062509 | Model Name |
| | | | Model Revision |
| | | | ECN T09-1152 |
| | | | REL Level RELEASED |
| | title | no | Rev. |
| | TERMINAL BLOCK | 20020008 | C |
| | Pluggable plug, hook entry side | | |
| Pro/E file | catalog no | CUSTOMER | sheet 1 of 5 |

FCI CONFIDENTIAL



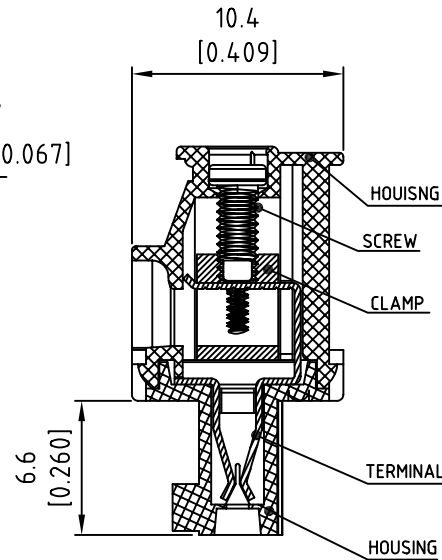
This document is the property of and embodies CONFIDENTIAL and PROPRIETARY information of FCI. No part of the information shown on this document may be used in any way or disclosed to others without the written consent of FCI. Copyright FCI.

| | | |
|--------------------|-------------|---------|
| PRODUCT NUMBER | SERIES NAME | PITCH |
| 20020008-CXX1B01LF | 02-350 | 3.50 mm |



□2.8x1.7
[0.110x0.067]

2p to 6p with wedge, above 7p
without wedge (including 7p)



SEC G-G

N = Number of poles
Dim A = $N \times 3.5 [0.138]$
Dim B = $(N-1) \times 3.5 [0.138]$

| TOL. | Dim A | Dim B |
|--------|--------------------|-------|
| 2-6p | $\pm 0.15 [0.006]$ | |
| 7-12p | $\pm 0.20 [0.008]$ | |
| 13-18p | $\pm 0.25 [0.010]$ | |
| 19-24p | $\pm 0.30 [0.012]$ | |

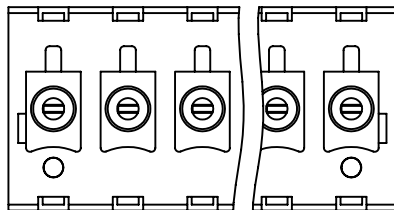
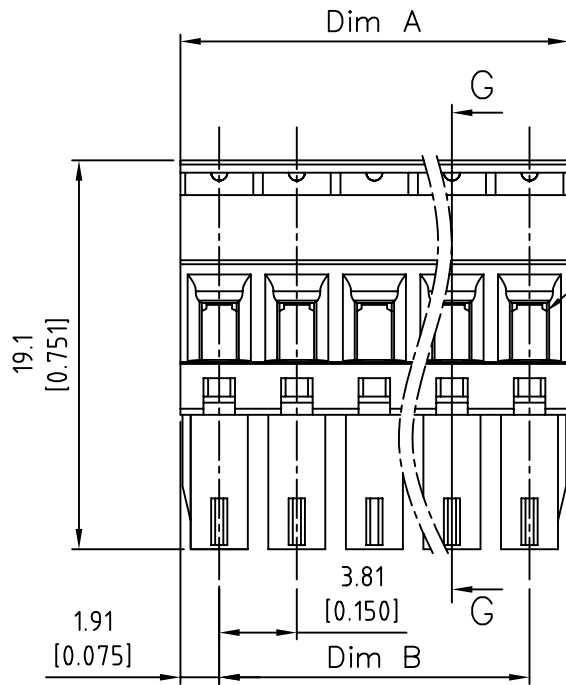
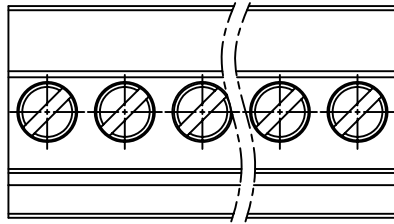
| | | | | | |
|----------------|-------------|---------------------------------|----------------|-----------|--------------|
| Material | | | Spec ref | | |
| Mat code | | | ✓ | tolerance | projection |
| Heat treat | | | | | MM |
| Plating/Finish | | | | | ← → |
| Dr | BEER FU | 062509 | | size | A4 |
| Eng | BEER FU | 062509 | Product family | | |
| Chr | GARY HSIEH | 062509 | Model Name | | |
| Appr | JOSEPH HSIA | 062509 | Model Revision | | |
| | | | ECN | | T09-1152 |
| | | | REL Level | | RELEASED |
| FCI title | | TERMINAL BLOCK | | chg no | 20020008 |
| | | Pluggable plug, hook entry side | | | Rev. C |
| Pro/E file | catalog no | | CUSTOMER | | sheet 2 of 5 |

FCI CONFIDENTIAL



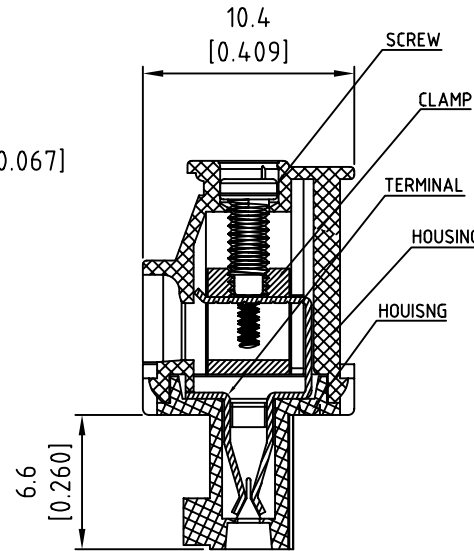
This document is the property of and embodies CONFIDENTIAL and PROPRIETARY information of FCI. No part of the information shown on this document may be used in any way or disclosed to others without the written consent of FCI. Copyright FCI.

| | | |
|--------------------|-------------|---------|
| PRODUCT NUMBER | SERIES NAME | PITCH |
| 20020008-DXX1B01LF | 02-381 | 3.81 mm |



□2.8x1.7
[0.110x0.067]

2p to 6p with wedge, above 7p
without wedge (including 7p)



N = Number of poles
Dim A = $N \times 3.81 [0.150]$
Dim B = $(N-1) \times 3.81 [0.150]$

| TOL. | Dim A | Dim B |
|--------|--------------------|-------|
| 2-6p | $\pm 0.15 [0.006]$ | |
| 7-12p | $\pm 0.20 [0.008]$ | |
| 13-18p | $\pm 0.25 [0.010]$ | |
| 19-24p | $\pm 0.30 [0.012]$ | |

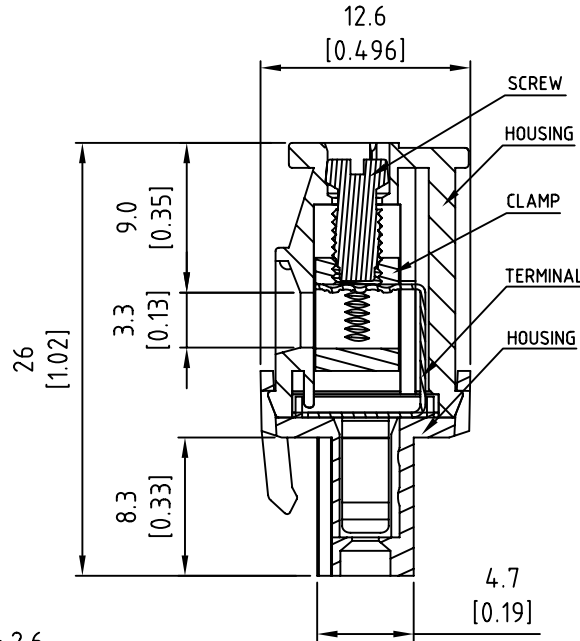
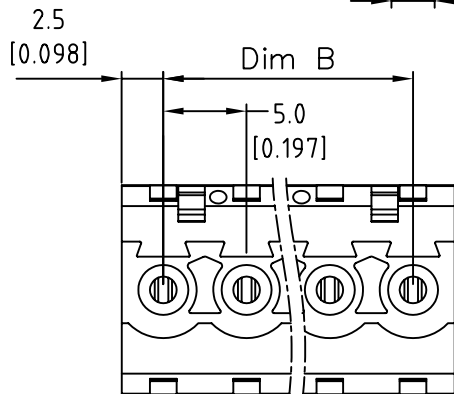
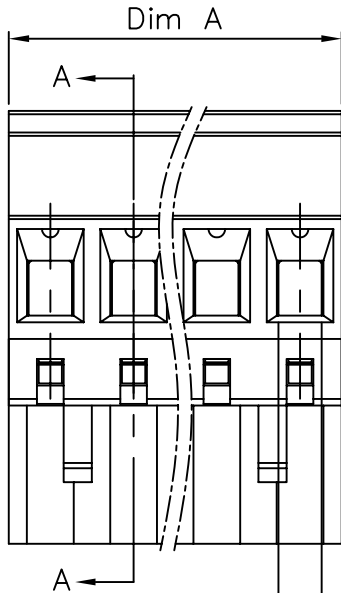
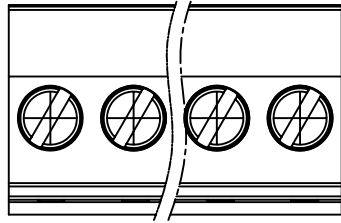
| | | | | |
|----------------|--------------------|---------------------------------|-----------|--------------------|
| Material | | Spec ref | | |
| Mat code | | ✓ | tolerance | projection |
| Heattreat | | | | MM |
| Plating/Finish | | | size | Scale |
| Dr | BEER FU 062509 | Product family | | A4 |
| Eng | BEER FU 062509 | Model Name | | ECN T09-1152 |
| Chr | GARY HSIEH 062509 | Model Revision | | REL Level RELEASED |
| Appr | JOSEPH HSIA 062509 | title | | Rev. C |
| FCI | | title | | chg no |
| terminal block | | Pluggable plug, hook entry side | | 20020008 |
| Pro/E file | catalog no | CUSTOMER | | sheet 3 of 5 |

FCI CONFIDENTIAL



This document is the property of and embodies CONFIDENTIAL and PROPRIETARY information of FCI. No part of the information shown on this document may be used in any way or disclosed to others without the written consent of FCI. Copyright FCI.

| | | |
|--------------------|-------------|---------|
| PRODUCT NUMBER | SERIES NAME | PITCH |
| 20020008-GXX1B01LF | 02-500 | 5.00 mm |



SECTION A-A

N = Number of poles
 Dim A = $N \times 5.0 [0.197]$
 Dim B = $(N-1) \times 5.0 [0.197]$

| TOL. | Dim A | Dim B |
|--------|--------------------|-------|
| 2-6p | $\pm 0.15 [0.006]$ | |
| 7-12p | $\pm 0.25 [0.010]$ | |
| 13-18p | $\pm 0.30 [0.012]$ | |
| 19-24p | $\pm 0.40 [0.016]$ | |

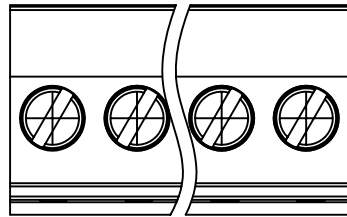
| | | | | |
|----------------|--------------------|---------------------------------|-----------|--------------------|
| Material | | Spec ref | | |
| Mat code | | ✓ | tolerance | projection |
| Heat treat | | | | MM |
| Plating/Finish | | | size | Scale |
| Dr | BEER FU 062509 | Product family | | A4 |
| Eng | BEER FU 062509 | Model Name | | ECN T09-1152 |
| Chr | GARY HSIEH 062509 | Model Revision | | REL Level RELEASED |
| Appr | JOSEPH HSIA 062509 | Model Revision | | REL Level RELEASED |
| | | title | | Rev. |
| TERMINAL BLOCK | | Pluggable plug, hook entry side | | C |
| Pro/E file | catalog no | chg no | 20020008 | sheet 4 of 5 |

FCI CONFIDENTIAL

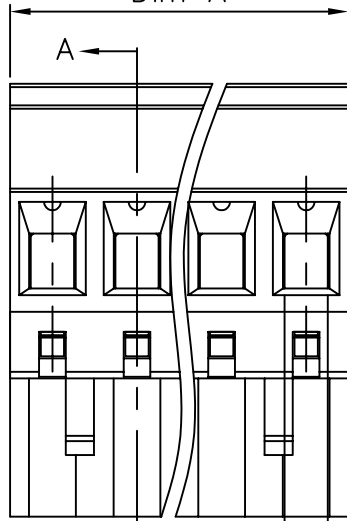


This document is the property of and embodies CONFIDENTIAL and PROPRIETARY information of FCI. No part of the information shown on this document may be used in any way or disclosed to others without the written consent of FCI. Copyright FCI.

| | | |
|--------------------|-------------|---------|
| PRODUCT NUMBER | SERIES NAME | PITCH |
| 20020008-HXX1B01LF | 02-508 | 5.08 mm |

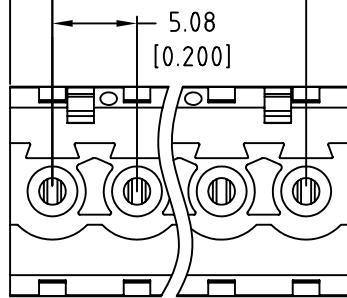


Dim A

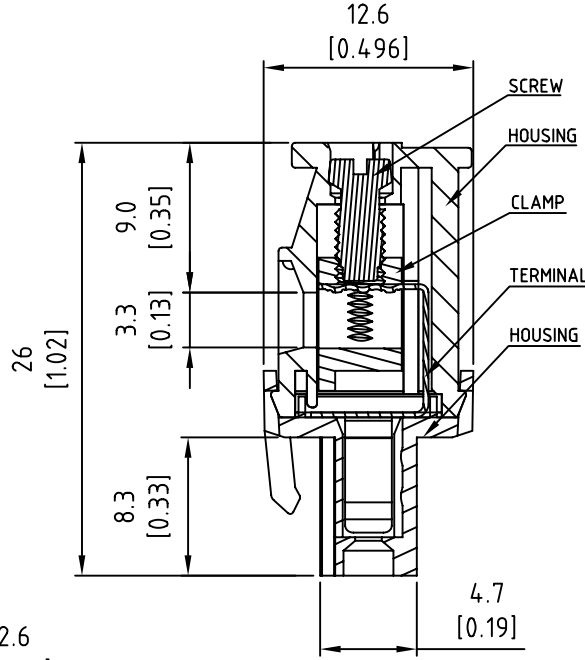


2.54 [0.100] 2.6 [0.102]

Dim B



5.08 [0.200]



Section A-A

N = Number of poles
 Dim A = N x 5.08 [0.200]
 Dim B = (N-1) x 5.08 [0.200]

| TOL. | Dim A | Dim B |
|--------|---------------|-------|
| 2-6p | ±0.15 [0.006] | |
| 7-12p | ±0.25 [0.010] | |
| 13-18p | ±0.30 [0.012] | |
| 19-24p | ±0.40 [0.016] | |

| | | | | |
|----------------|-------------|---------------------------------|----------------|--------------|
| Material | | Spec ref | | |
| Mat code | | ✓ | tolerance | projection |
| Heat treat | | | | MM |
| Plating/Finish | | | size | Scale |
| Dr | BEER FU | 062509 | A4 | |
| Eng | BEER FU | 062509 | Product family | |
| Chr | GARY HSIEH | 062509 | Model Name | |
| Appr | JOSEPH HSIA | 062509 | Model Revision | |
| | | ECN | | T09-1152 |
| | | REL Level | | RELEASED |
| | | title | | Rev. |
| | | TERMINAL BLOCK | | C |
| | | Pluggable plug, hook entry side | | |
| Pro/E file | | catalog no | CUSTOMER | sheet 5 of 5 |