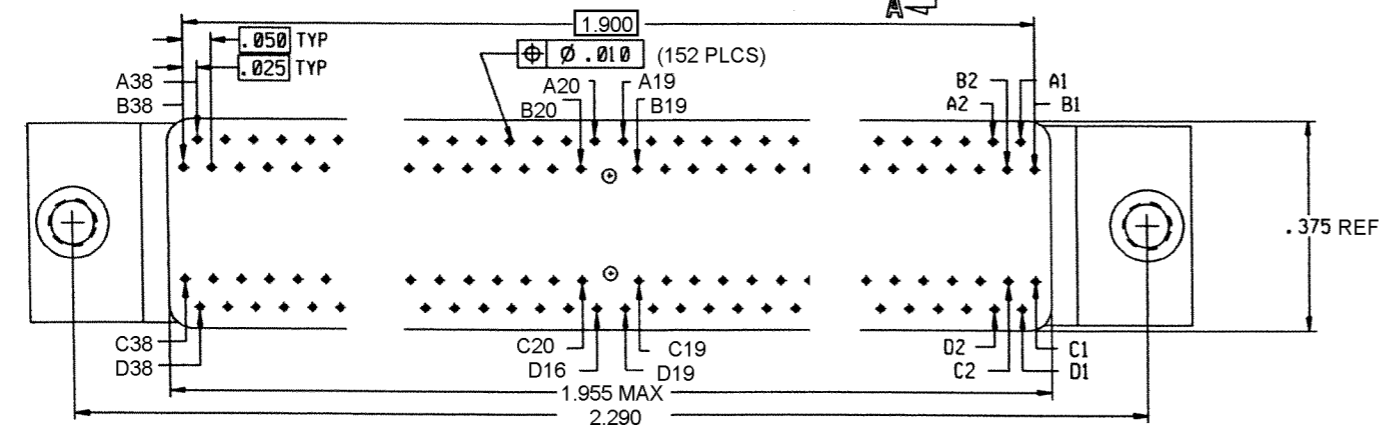
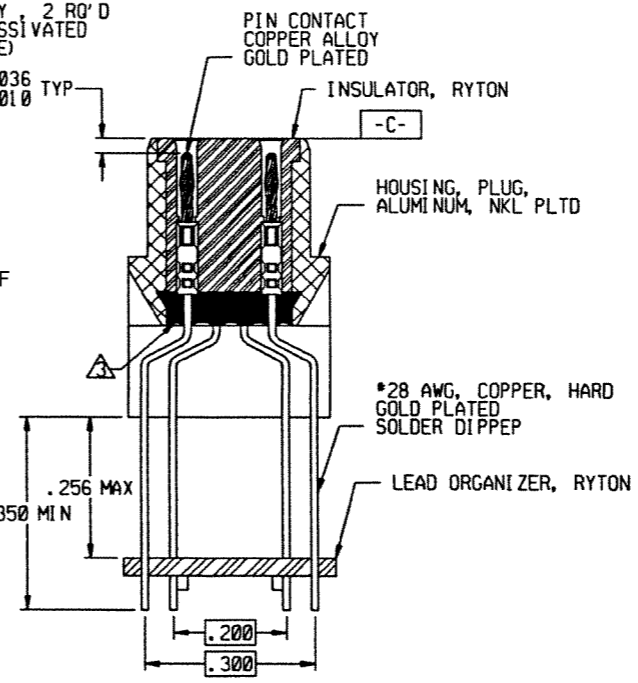
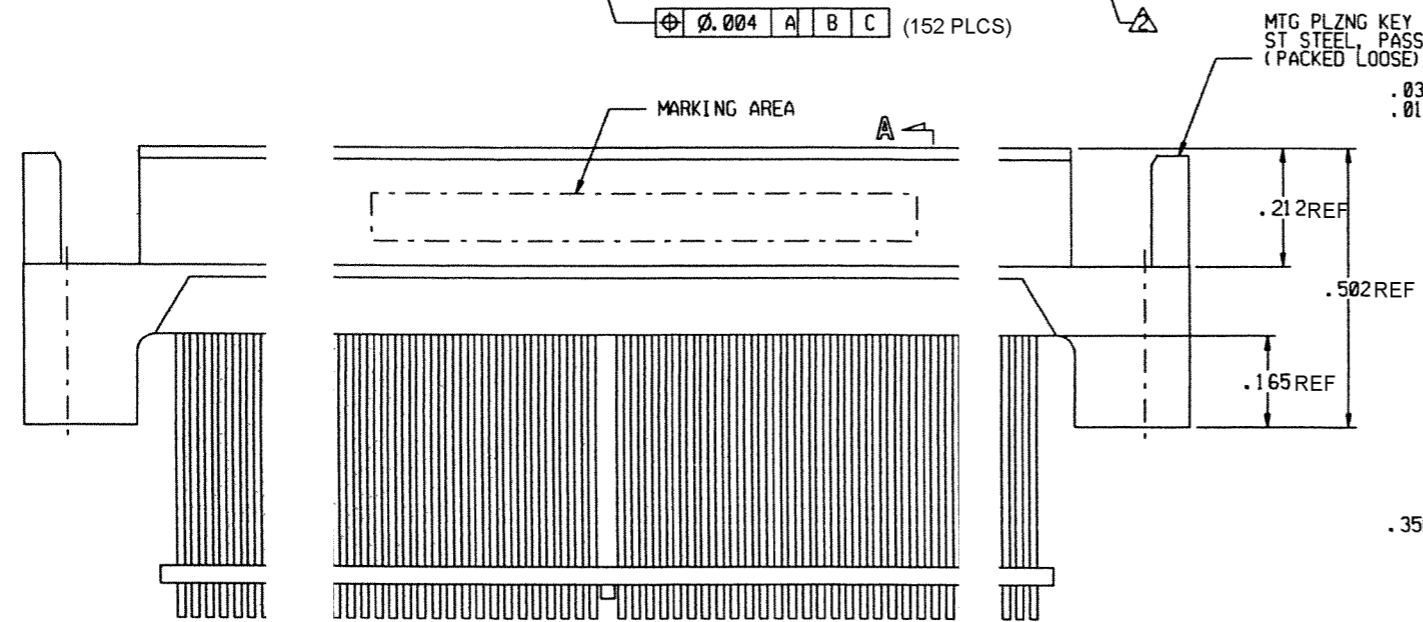
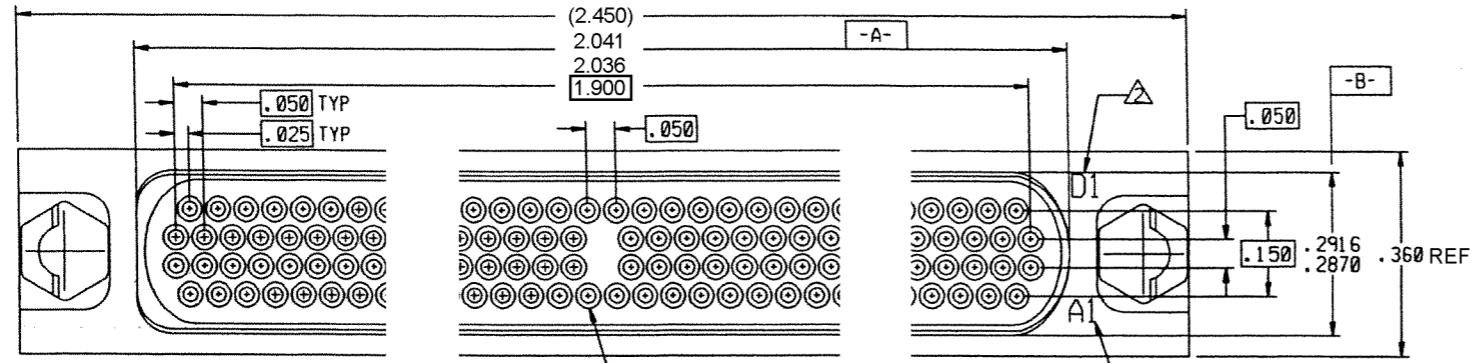



REVISION					
ZONE	LTR	ECN	DESCRIPTION	DATE	APPROVED
	A	43094	NEW RELEASE.	2/7/6	TL



- NOTES: UNLESS OTHERWISE SPECIFIED
- MARK PER TPD.
 - IDENTIFY END CAVITIES AS SHOWN.
 - EPOXY AS SHOWN USING E&C STYCAST WITH CAT 9 AND/OR E&C STYCAST WITH CAT 11.
 - CRIMP LEADS INTO CONTACTS PER MEP 302-05.

TYCO CUSTOMER DWG: 1-1532164-7

UNLESS OTHERWISE SPECIFIED DIMENSIONS ARE IN INCHES. TOLERANCE ARE: FRACTIONS DECIMALS ANGLES ± 1/8 .XX ± .01 ± 2° .XXX ± .005	APPROVALS		 MICRODOT CONNECTORS A DIVISION OF UNI-STAR INDUSTRIES INC. 306 PASADENA AVE., SO. PASADENA, CA 91030	PROD CODE G605
	SIGNATURE	DATE		
MATERIAL:	DRAWN	TONY LEE	2/7/6	HDSM1-152LZA
	CHECKED			
	PRO. ENG.			
FINISH:	APPROVED			SIZE B CODE IDENT NO. 98278 DRAWING NO. 1-1532164-7 =095-0091-1010
	THIS DOCUMENT IS THE PROPERTY OF MICRODOT CONNECTORS, A DIVISION OF UNI-STAR INDUSTRIES INC. USE OF THIS DOCUMENT OR ANY PART THEREOF IS STRICTLY FORBIDDEN WITHOUT THE EXPRESS WRITTEN PERMISSION OF MICRODOT CONNECTORS, A DIVISION OF UNI-STAR INDUSTRIES INC.		SCALE: NONE	