

Model No.: FSL-1020R02-08

Rev: 1

Product Line: Tymphany

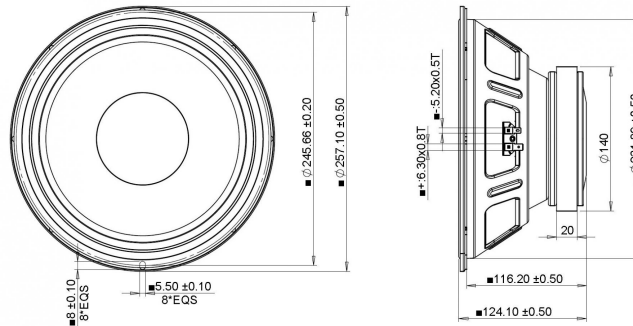
Last Update: 2017-04-25 21:32:09

Product Description

This 10 inch 8 ohm speaker features a FEA optimized ferrite magnet motor, a 2 inch high-temperature voice coil, a vented yoke for motor cooling, and a high strength stamped steel frame. It also features a Kevlar loaded non-pressed paper cone to help dampen and control cone resonance. The multi-roll surround and spider have been optimized to reduce distortion over the excursion range of this transducer.



Mechanical Drawing



Specifications

DC Resistance	Revc	Ohms	5.93	5.0%	Energy Bandwidth Product	EBP	(1/Qes)*fs	
Minimum Impedance	Zmin	Ohms	7.98	7.5%	Moving Mass	Mms	g	33.4
Voice Coil Inductance	Le	mH	0.66		Suspension Compliance	Cms	um/N	165.3
Resonant Frequency	Fs	Hz	67.69	15%	Effective Cone diameter	D	cm	21.8
Mechanical Q Factor	Qms		4.52		Effective Piston Area	Sd	cm^2	373.3
Electrical Q Factor	Qes	0.41			Effective Volume	Vas	L	31.76
Total Q Factor	Qts	0.37			Motor Force Factor	BL	Tm	14.44
Ratio Fs/Qts	F	Fs/Qts	182.44		Motor Efficiency Factor	β	(T*M^2)/Ohms	35.2
Half Space Sensitivity @2.83V	db@2.83V/1M	dB	96.46	+/- 1.0db	Voice coil former Material	VCfm		KSV
Half Space Sensitivity @1W/1M	db@1W/1M	dB	96.4	+/- 1.0db	Voice coil inner diameter	VCd	mm	50.5
Gap Height	Gh	mm	8		Rated Noise Power	P	W	250
Maximum Linear Excursion	Xmax	mm	2.4		Test Spectrum Bandwidth		70Hz-700Hz	
Ferrofluid Type	FF				Driver Size	Inch	10 in	
Driver Mass	Kg	3.5						

Frequency and Impedance Response

