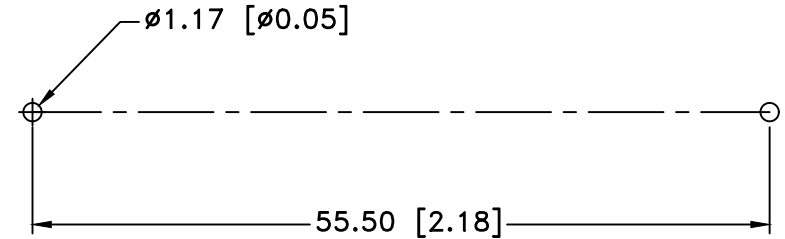
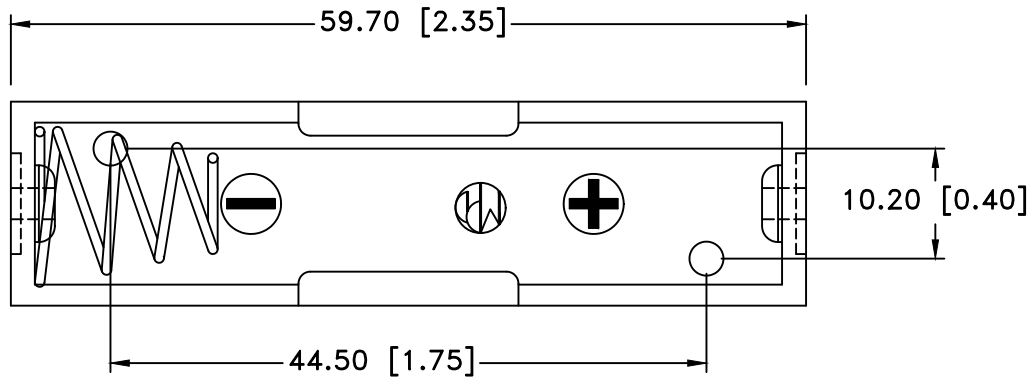
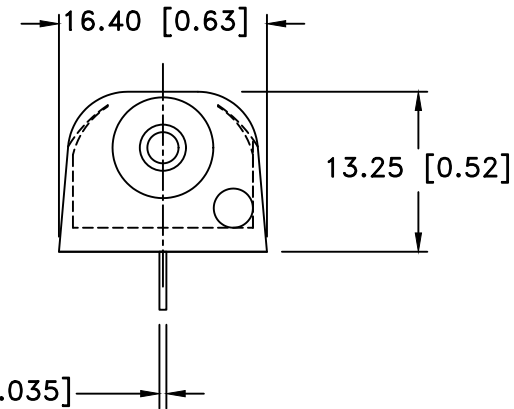
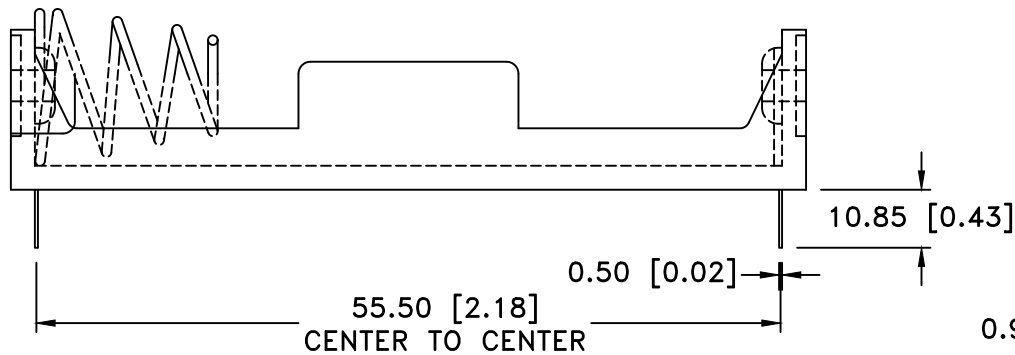


Date	SYM	REVISION RECORD	AUTH	DR.	CK.
07/07/17	H	DIM. 10.85 WAS 11.20 DIM. 13.25 WAS 13.70	T.B.	B.S.	
03/26/19	J	UPDATED TO "ROHS COMPLIANT"	T.B.	B.S.	
05/30/19	K	DIM. 59.70 WAS 56.0 DIM. 55.50 WAS 52.0	T.B.	B.S.	




PCB LAYOUT



NOTES:

- Plastic material - Polypropylene, Black
- Flammability Rating -UL94-HB, UL File NO. E216959
- Temperature Range: -10°C to +100°C
- Springs - Nickel Plated Spring Steel
- Rivets - Brass, Nickel Plated
- PC Pins - Brass, Nickel Plated
- Contact Resistance: Under 50mΩ for +/- contacts per EIA-540J000
- ROHS COMPLIANT

Tolerance (Except as noted)	 Memory Protection Devices, Inc 200 Broad Hollow Road, Farmingdale, New York 11735		
decimal ±.5 (.020)		Scale	Drawn By B.S.
Fractional ± .8 (.030)	Title ONE "AA" CELL HOLDER		
Angular ± 3°	Date 05/30/19	Drawing Number BCAAPC	
			Approved By T.B.