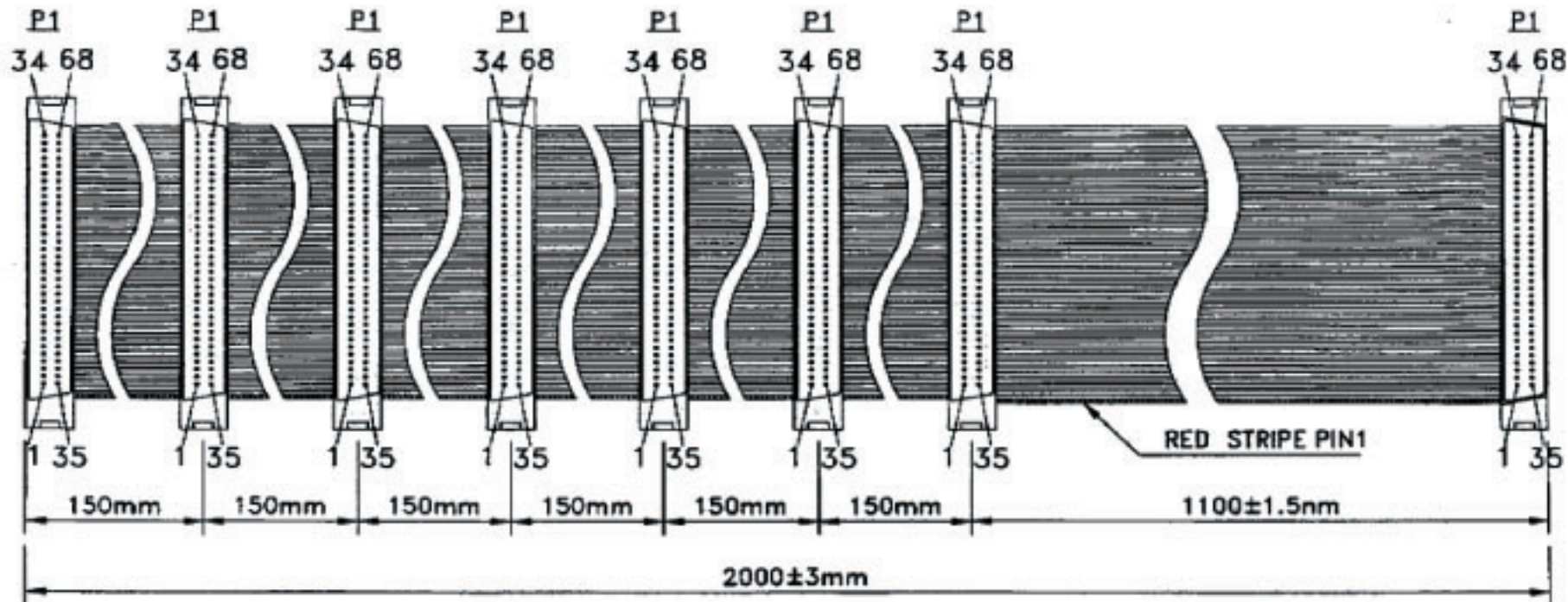


LTR	REV	DESCRIPTION	DATE	REVISED	APPROVED



FLAT CABLE:28AWG x 68CONDUCTORS 0.635mm PITCH INS:PVC UL2678 APPROVED
P1 IDC PLUG 68PIN 1.27mm PITCH W/O STRAIN RELIEF GOLD FLASH COLOR:BLACK

TOLERANCE	INCH	M/M	ASSMANN ELECTRONICS, INC.		
.X	.015	.30	TITLE		
.XX	.010	.10			
.XXX	.005	.05			
DRAW	CONNIE		HPD68M*8,200CM		
CHEK.	KIM		P/N	AK-Y2304	
ENGR.			APP'D	CUSTOMER A-ASM	
Q.C.	DATE	199/05/22	SCALE	NONE	TS M/W
PROD.	DWG NO	160-5080	REV	A	SHEET 1/1