

# Slide Switches

Microminiature slide switches •



## DISTINCTIVE FEATURES

- Ultra compact size
- Low profile
- Molded-in or epoxy sealed terminals
- Washing not recommended



## ENVIRONMENTAL SPECIFICATIONS

- Operating Temperature: -10 °C to +60 °C (14 °F to +140 °F)
- Storage Temperature: -30 °C to +80 °C (-22 °F to +176 °F) for 96 hours
- Solder heat resistance: 260°C ( 500 °F ) max for 5 seconds



## ELECTRICAL SPECIFICATIONS

- Contact rating: 100 mA 12VDC
- Contact Resistance: 20  $\Omega$  max.
- Insulation Resistance: 100 M $\Omega$  min. at 500VDC
- Electrical life: 10,000 cycles min.



# Slide switch series

Microminiature slide switches • MJS SERIES

## SPECIFICATION

Contact rating: 100 mA at 12 VDC  
 Initial contact resistance: 20 milliohms max.  
 Insulation resistance: 100 megohms min. at 500 VDC  
 Dielectric strength: 500 volts RMS at sea level  
 Electrical life: 10,000 cycles min.  
 Operating temperature range: -10°C to +60°C  
 Actuation force: 225g (average)  
 Solder heat resistance: 260°C max. for 5 seconds  
 Washing not recommended

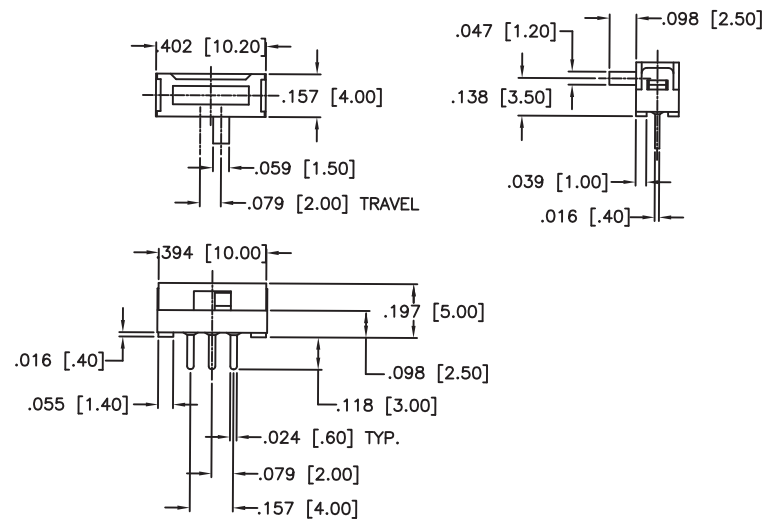
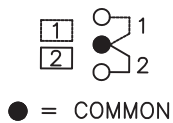
## FEATURES

- Bifurcated wiping contact design
- Molded-in terminals minimize flux or solder entry
- Molded-in high temperature phenolic base
- Low Profile

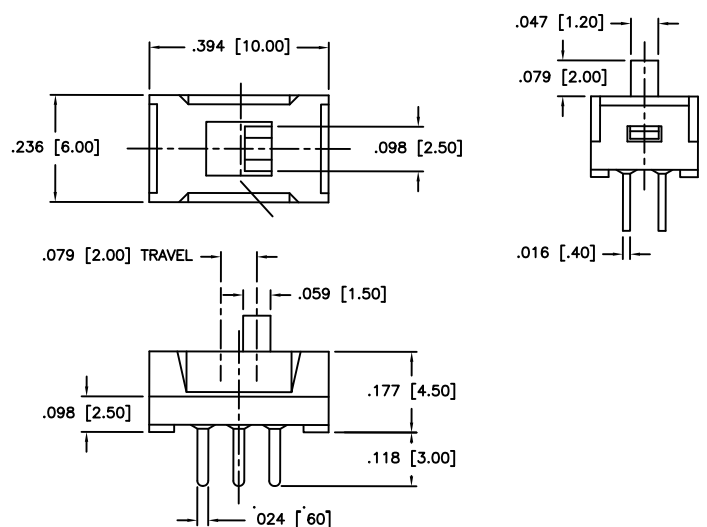
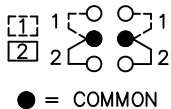
## MATERIALS

Contacts & terminals: Silver plated  
 Case & actuator: Thermoplastic  
 Terminal seal: Molded-in

### MJS12R



### MJS22



# Slide switch series

Microminiature slide switches • MHSS SERIES

## SPECIFICATION

Contact rating: 300 mA at 6 VDC  
Initial contact resistance: 60 milliohms max.  
Insulation resistance: 100 megohms min. at 100 VDC  
Dielectric strength: 100 volts RMS at sea level  
Electrical life: 5,000 cycles min.  
Operating temperature range: -20°C to +70°C  
Solder heat resistance: 350°C max. for 3 seconds  
Washing not recommended

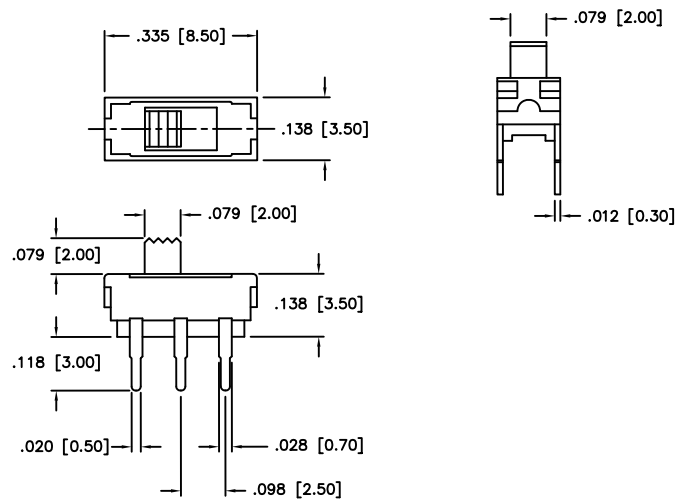
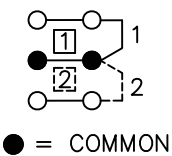
## FEATURES

- Excellent tactile feedback (detent action)
- Molded-in terminals minimize flux or solder entry
- Ultra compact case size
- Low Profile

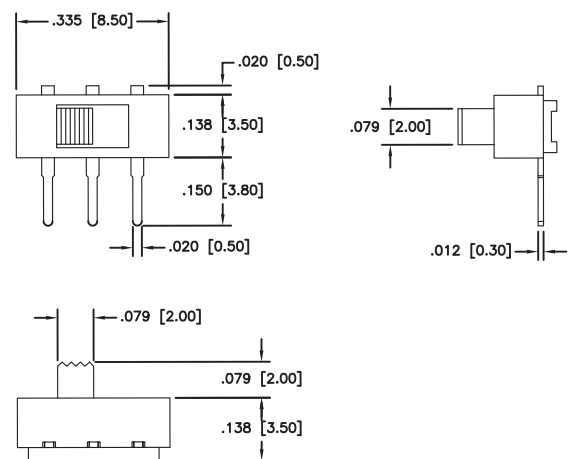
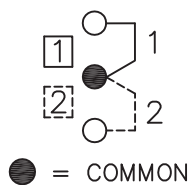
## MATERIALS

Contacts & terminals: Silver plated  
Case: 30% Glass filled nylon, type 6/6, black  
Actuator: Nylon, type 6/6, black

### MHSS1104



### MHSS1105



# Slide switch series

Microminiature slide switches • MS SERIES

## SPECIFICATION

Contact rating: 300 mA at 6 VDC

Initial contact resistance: 70 milliohms max.

Insulation resistance: 100 megohms min. at 500 VDC

Dielectric strength: 500 volts RMS at sea level

Electrical life: 10,000 cycles min.

Operating temperature range: -10°C to +60°C

Solder heat resistance: 260°C max. for 3 seconds

Washing not recommended

## FEATURES

- Low profile
- Insert molded terminals
- Stainless steel cover

## MATERIALS

Contacts & terminals: Silver plated

Cover: Stainless steel

Actuator: Thermoplastic

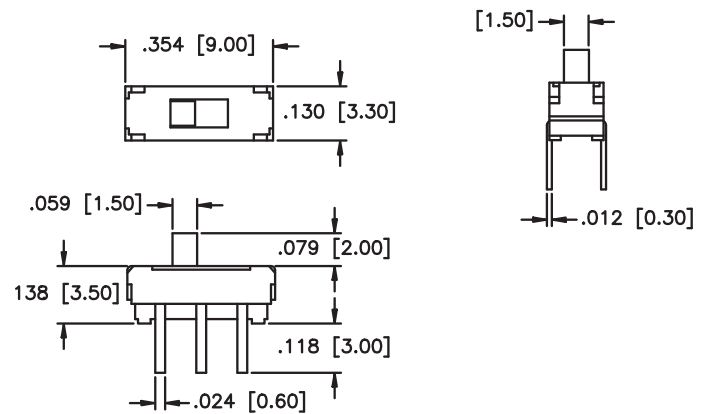
Base: High temperature thermoplastic

Terminal seal: Insert molded

### MS22



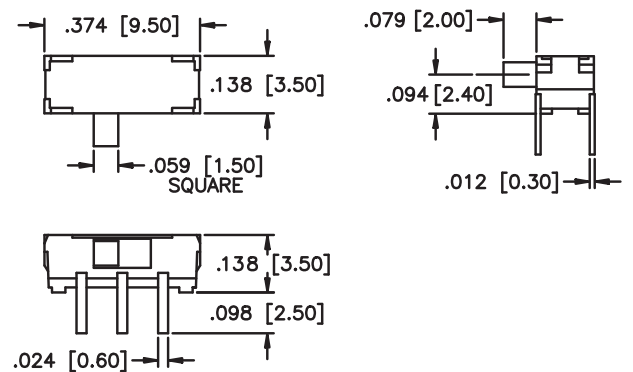
● = COMMON



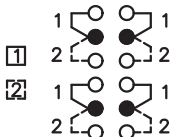
### MS22R



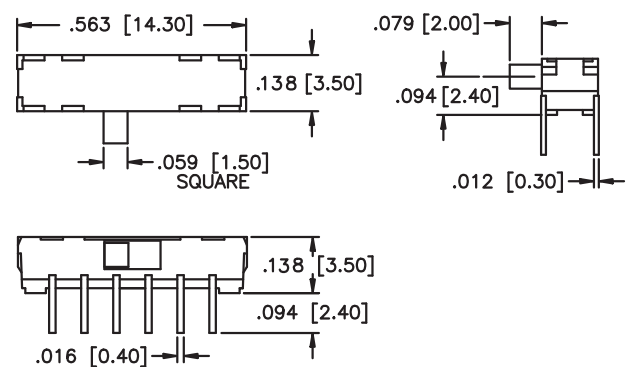
● = COMMON



### MS42R



● = COMMON



# Slide switch series

Microminiature slide switches • MMS SERIES

## SPECIFICATION

Contact rating: 300 mA at 30 VDC  
 Initial contact resistance: 25 milliohms max.  
 Insulation resistance: 100 megohms min. at 500 VDC  
 Dielectric strength: 500 volts RMS for 1 minute  
 Electrical life: 10,000 cycles min.  
 Operating temperature range: -20°C to +70°C  
 Solder heat resistance: 255°C max. for 5 seconds  
 Washing not recommended

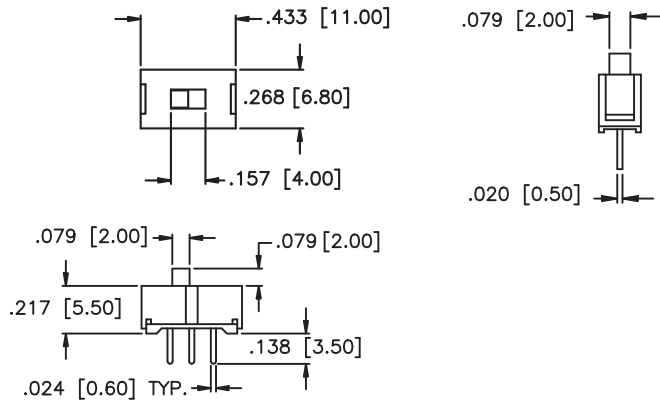
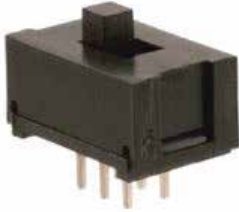
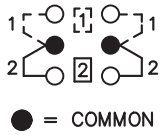
## FEATURES

- Bifurcated wiping contact design
- Low profile
- Epoxy sealed terminals

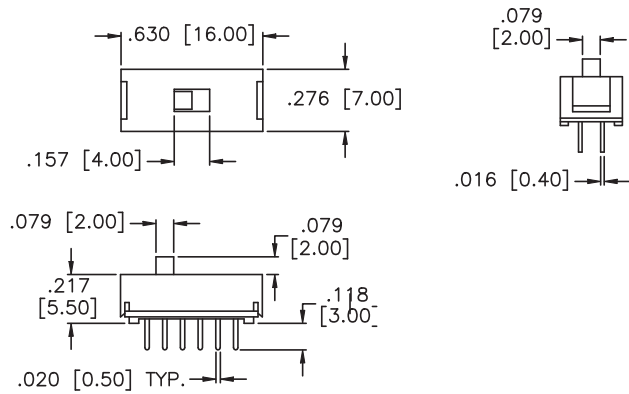
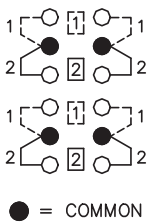
## MATERIALS

Contacts & terminals: Silver plated  
 Case: Polyacetal  
 Actuator: PBT  
 Base: Glass filled PBT  
 Terminal seal: Epoxy or phenol resin

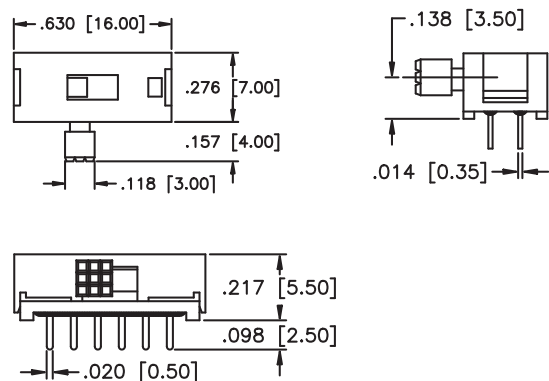
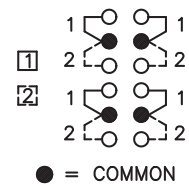
### MMS2214



### MMS42



### MMS42R



# Slide switch series

Microminiature slide switches •



## PCB LAYOUT

