

PLEASE CHECK WWW.MOLEX.COM FOR LATEST PART INFORMATION

Part Number: [1200740030](#)

Status: **Active**

Overview: [Brad® Micro-Change® \(M12\) Connectors](#)

Description: Micro-Change® (1/2" - 20 UNF) US Dual Keyway Receptacle, 2 Poles, 1/4" - 18 NPT Mounting Threads, Male (Straight) to 22 AWG PVC Leads, 0.305m (1.0') Length

Documents:

[Drawing \(PDF\)](#)

[RoHS Certificate of Compliance \(PDF\)](#)

Agency Certification

CSA	LR6837
UL	E152210

General

Product Family	Industrial Receptacles
Series	120074
IP Rating	IP67
NEMA Rating	NEMA 6
Overview	Brad® Micro-Change® (M12) Connectors
Product Name	Micro-Change® (1/2" - 20 UNF)
Type	Single Ended (pigtail)
UPC	78678822664

Physical

Coupling Type	External Thread
Gender	Male
Keyway	Dual
Length	0.305m
Material - Component	Gray Anodized Aluminum
Mounting Thread Size	1/4" - 18 NPT
Net Weight	14.240/g
Orientation	Straight
Panel Mount	Front
Poles	2
Temperature Range - Operating	-20°C to +80°C
Wire Size AWG	22
Wire/Cable Type	Leads, UL 1061

Electrical

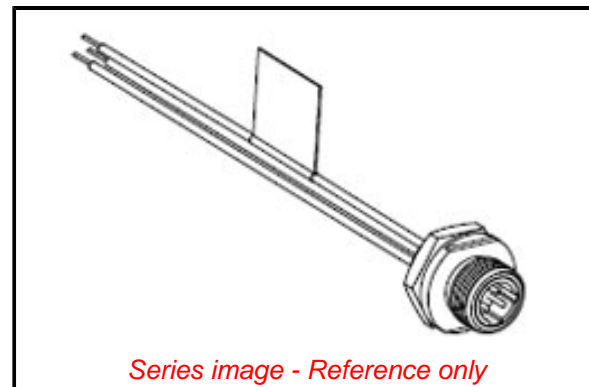
Current - Maximum per Contact	4.0A
Voltage - Maximum	250V AC/DC

Material Info

Engineering Number	7R2A06A19A120
--------------------	---------------

Reference - Drawing Numbers

Sales Drawing	SD-120074-030
---------------	---------------



Series image - Reference only

EU ELV

Not Relevant

EU RoHS

Compliant with Exemption 6(c),6(b)

REACH SVHC

Contained Per - ED/21/2016 (20 June 2016)

2,4-Di-tert-butyl-6-(5-chlorobenzotriazol-2-yl)p

Halogen-Free

Status

Not Low-Halogen

Need more information on product environmental compliance?

Email productcompliance@molex.com
Please visit the [Contact Us](#) section for any non-product compliance questions.

China ROHS	50 Image
ELV	Not Relevant
RoHS Phthalates	Not Contained

Search Parts in this Series

[120074 Series](#)