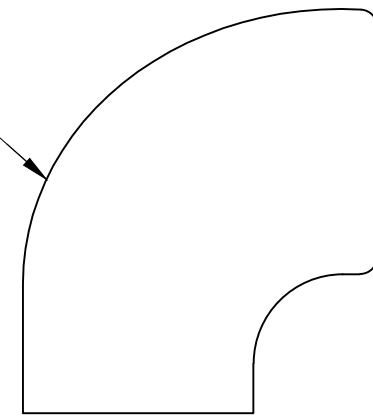


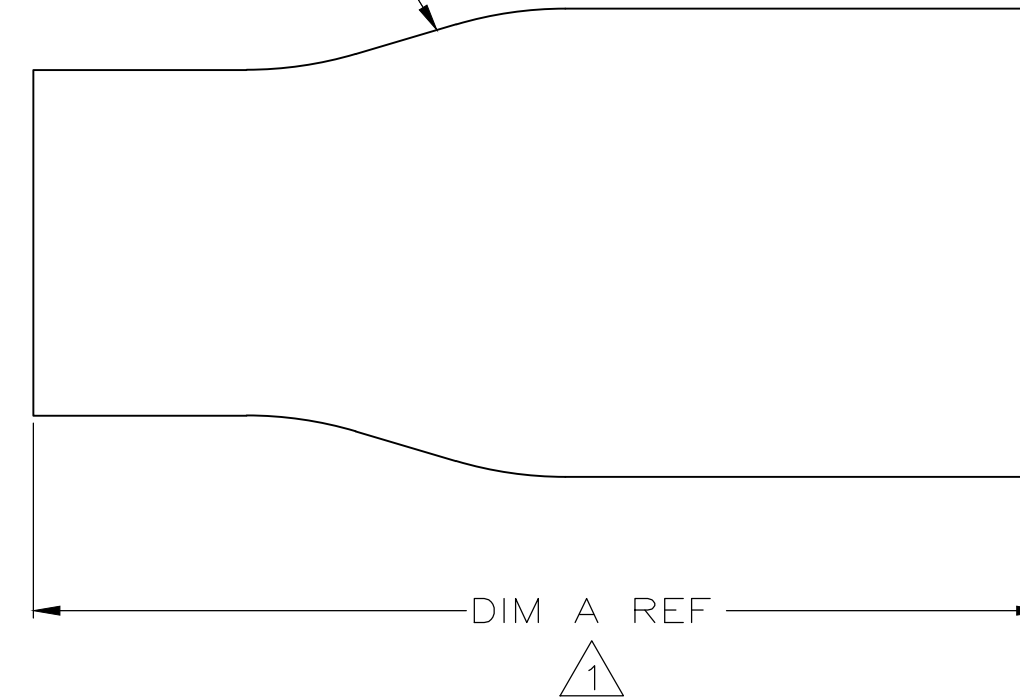
THIS DRAWING IS UNPUBLISHED. RELEASED FOR PUBLICATION
 © COPYRIGHT - By - ALL RIGHTS RESERVED.

REVISIONS					
P	LTR	DESCRIPTION	DATE	DWN	APVD
J		REV PER ECO 19-008521	8-26-19	CT	DM

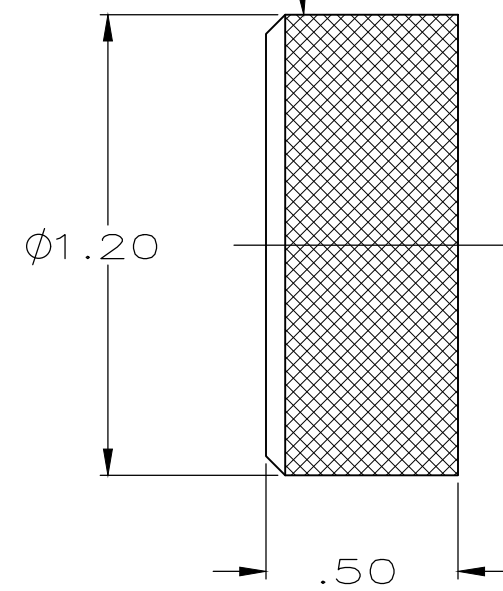
BOOT, SHRINKABLE, 90°
 MAT'L: POLYOLEFIN



BOOT, SHRINKABLE, STRAIGHT
 MAT'L: ELASTOMER/SILVER COMPOSITE



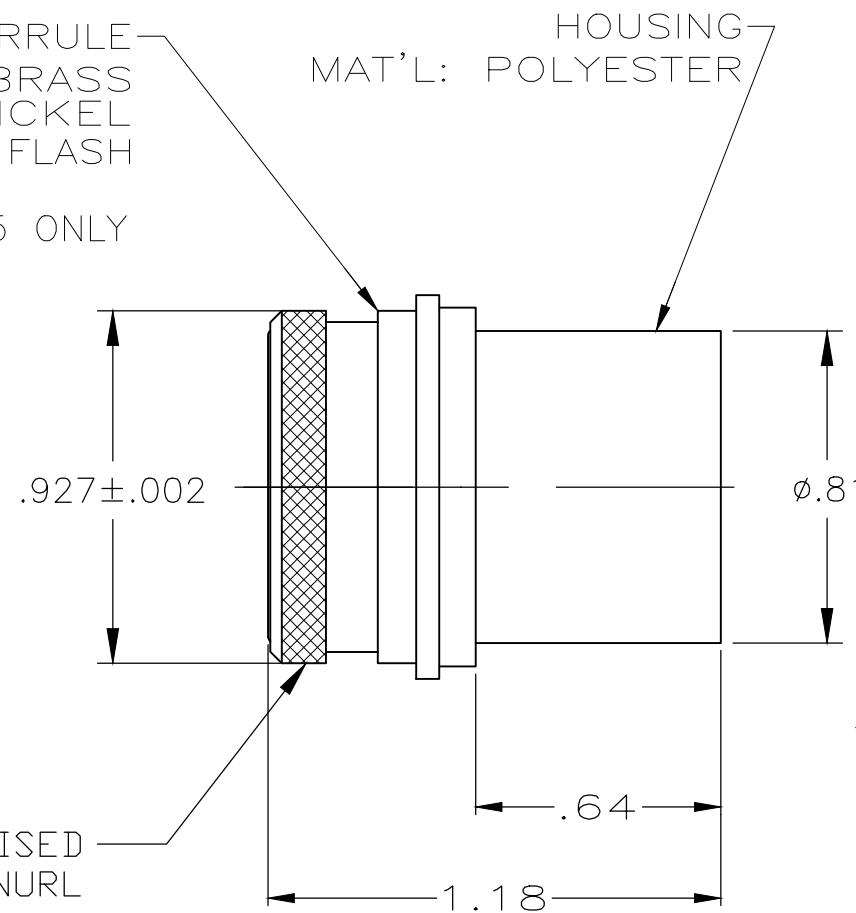
CAP
 MAT'L: BRASS
 FINISH: NICKEL
 OVER COPPER FLASH



FERRULE
 MAT'L: BRASS
 FINISH: NICKEL
 OVER COPPER FLASH
 2 -5 ONLY

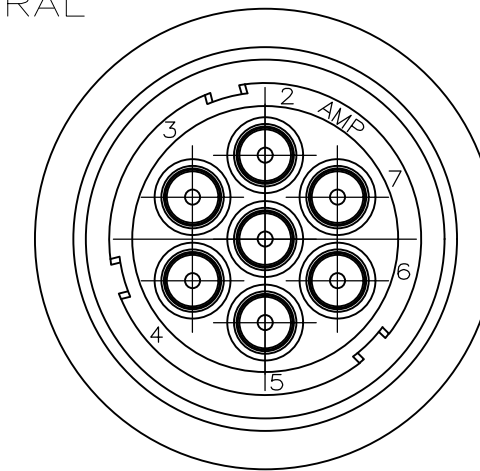
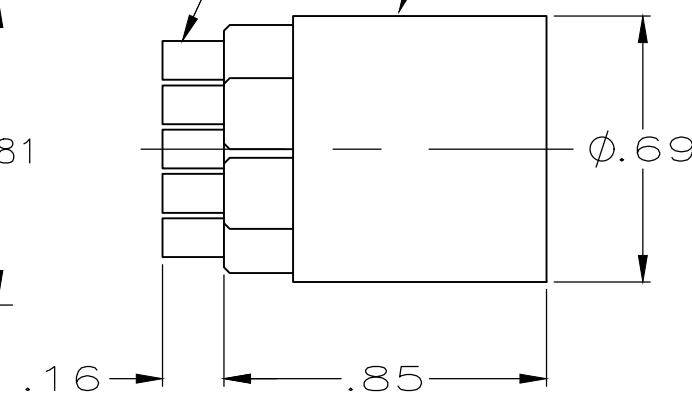
2 -5 ONLY

.128 DP RAISED
 DIAMOND KNURL



SOCKET END

SLUG
 MAT'L: SILICONE RUBBER
 COLOR: NATURAL



1 REF. DIMENSION "A" APPLIES ONLY AFTER SHRINKING OF SHRINK BOOT.
 2 FERRULE IS NOT ATTACHED TO PLUG HOUSING. (-5 ONLY)

2	-	NO SHRINKABLE BOOT	865656-5
-	3.15	STRAIGHT SHRINKABLE BOOT	865656-4
-	-	NO SHRINKABLE BOOT	865656-3
-	-	90° SHRINKABLE BOOT	865656-2
-	2.63	STRAIGHT SHRINKABLE BOOT	865656-1
REMARKS	DIM A 1	DISCRIPTION	PART NUMBER

THIS DRAWING IS A CONTROLLED DOCUMENT.		DWN C.C.THOMAS 7-15-96																				
DIMENSIONS: INCHES		CHK S.GLATFELTER 8-13-96																				
TOLERANCES UNLESS OTHERWISE SPECIFIED:		APVD -	NAME PLUG KIT, 7 PIN MINIATURE, LGH																			
<table border="0"> <tr><td>0 PLC</td><td>±</td><td>-</td></tr> <tr><td>1 PLC</td><td>±</td><td>-</td></tr> <tr><td>2 PLC</td><td>±</td><td>.03</td></tr> <tr><td>3 PLC</td><td>±</td><td>.015</td></tr> <tr><td>4 PLC</td><td>±</td><td>-</td></tr> <tr><td>ANGLES</td><td>±</td><td>-</td></tr> </table>		0 PLC	±	-	1 PLC	±	-	2 PLC	±	.03	3 PLC	±	.015	4 PLC	±	-	ANGLES	±	-	PRODUCT SPEC -	RESTRICTED TO -	
0 PLC	±	-																				
1 PLC	±	-																				
2 PLC	±	.03																				
3 PLC	±	.015																				
4 PLC	±	-																				
ANGLES	±	-																				
MATERIAL SEE CALLOUTS		FINISH -	WEIGHT 0.000000	SIZE A2																		
		CUSTOMER DRAWING	CAGE CODE 00779	DRAWING NO 865656																		
			SCALE 2:1	SHEET 1 of 1																		
			REV J																			