

MCX SERIES CONNECTORS

50 ohm 0-6GHz

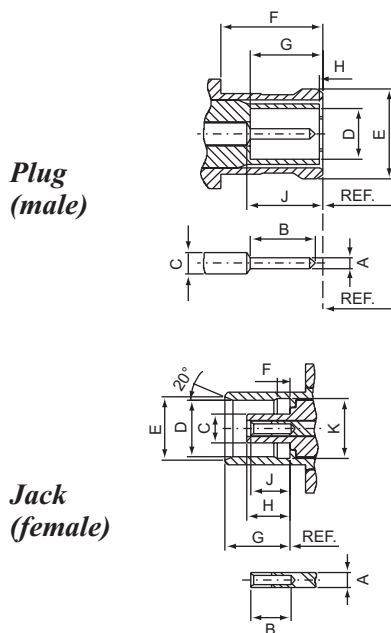
MCX microminiature connectors are excellent electrical characteristics and particularly simple, suitable for 50 ohm applications and used at frequency range up to 6 GHz. The MCX devices enable a 30% space reduction over similar SMB/SMC types. The MCX is available for affixment to industry standard cable and as a printed circuit board device.

The "push-on/pull-off" connection feature between devices offer the user ease of assemble in dense packaging layouts.

These small size, weight, performance and ease of assembly are the driving considerations to the final design decision.

These include GPS, wireless communications (WLAN and mobile) and automotive are

Interface Dimensions:



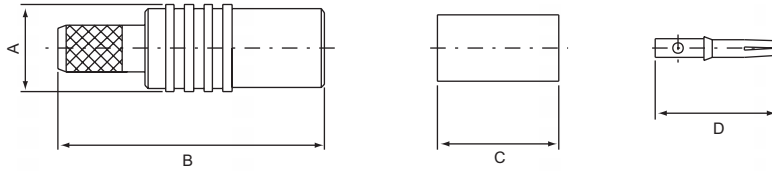
	Plug		Jack	
	min.	max.	min.	max.
A	0.48/.019	0.53/.021	0.95/.037 nom.	
B	2.49/.098	2.59/.102	2.80/.110	-
C	0.95/.037 nom.		1.80/.071	1.98/.078
D	2.00/.079	2.07/.081	3.42/.135	3.48/.137
E	3.72/.146*	3.80/.150*	3.75/.148	3.85/.152
F	4.15/.163	-	0.75/.030	0.85/.033
G	2.80/.110	3.20/.126	4.00/.157	4.12/.162
H	-	0.30/.012	2.60/.102	2.80/.110
J	2.80/.110	3.20/.126	2.30/.091	2.80/.110
K	-	-	3.60/.142	3.70/.146

PS.*prior to slotting.

Electrical:

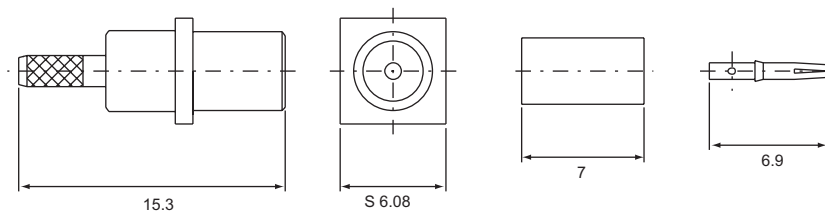
Impedance	50 ohm	75 ohm
Frequency Range	0 to 6.0 GHz	0 to 6.0 GHz
VSWR	0-2 GHz→	1.22 max GHz(Straight) 1.50 max GHz(Right angle)
	2-6 GHz→	1.35 max GHz(Straight) 1.63 max GHz(Right angle)
Insertion Loss	0.1dB max @ 1GHz(Straight)	
	0.2dB max @ 1GHz(Right angle)	

MCX FEMALE, Crimp type
11-211



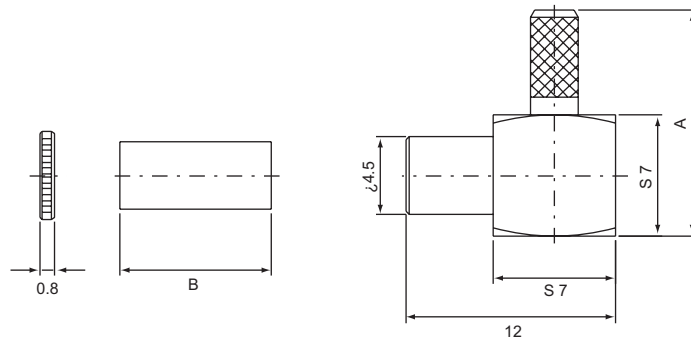
PART NO.	Ω	CABLE TYPE	A	B	C	D
11-211L	50,75	RG174U(316U)	5	15.3	7	6.9
11-211L-2	50,75	RG174U(316U)	5	15.3	7	7.1
11-211N	50,75	RG179U	5	15.3	7	6.9

MCX FEMALE, Crimp type straight
11-211M-1



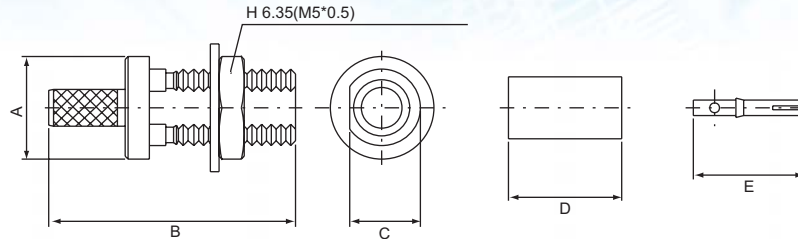
PART NO.	Ω	CABLE TYPE
11-211M-1	50,75	RG178U(196U)

MCX FEMALE, Crimp type
11-221 Right angle



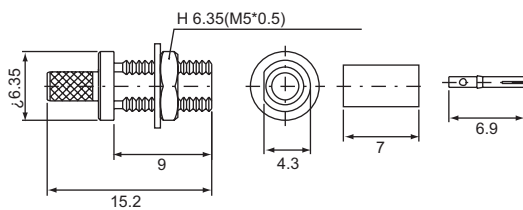
PART NO.	Ω	CABLE TYPE	A	B
11-221L	50,75	RG174U(316U)	13	8.7
11-221M	50,75	RG178U	12	7
11-221N	50,75	RG179U	13	8.7

MCX FEMALE, Bulkhead-Crimp type
11-231

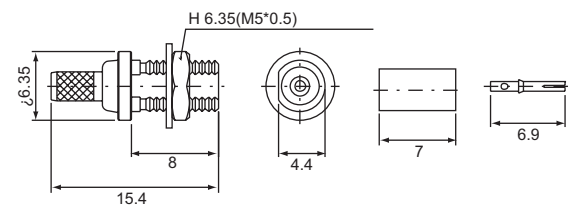


PART NO.	Ω	CABLE TYPE	A	B	C	D	E
11-231L	50,75	RG174U(316U)	6.35	15.2	4.4	7	7.1
11-231M		RG178U					
11-231N		RG179U					
11-2310L	50,75	RG174U(316U)	6.35	15.2	4.4	7	6.9
11-2310M		RG178U					
11-2310N		RG179U					

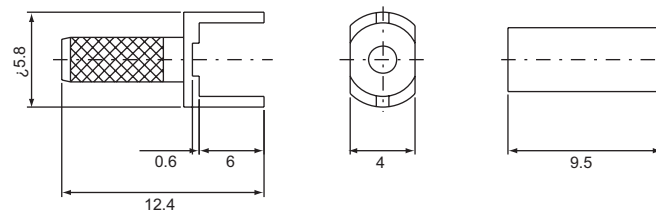
MCX FEMALE, Bulkhead-Crimp type
11-2310L-1B



MCX FEMALE, Bulkhead-Crimp type
11-2310L-2B



P.C.B cable terminal-Crimp type
11-P001



PART NO.	Ω	CABLE TYPE
11-P001L	50,75	RG174U(316U)
11-P001M	50,75	RG178U
11-P001N	50,75	RG179U

MCX MALE, P.C.B mount
11-P115

