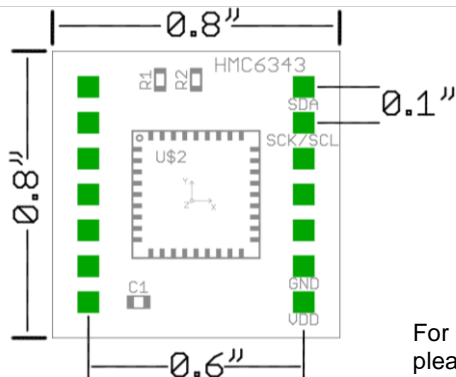


HMC6343 Evaluation Board

Honeywell

The **HMC6343 evaluation board** for the tilt-compensated digital compass IC contains the HMC6343 mounted on the 0.8" by 0.8" plug-board with wide-DIP spaced (0.6") pins for solderless breadboard compatibility. The board also contains the external capacitor and I2C pull-up resistors for typical function of the compass. The board contains the four connections (VDD, GND, SCL, and SDA) plus other breakouts.



Notes:

10. The HMC6343 operates best on three volt logic interfaces (VDD=2.7 to 3.3v)
11. There are two 10k ohm pull-up resistors on the SDA and SCL serial bus lines. Also a 0.1uf capacitor is included for VDD supply decoupling.
12. The remaining unmarked pins are recommended to be open circuited. They are factory test points

For questions about this demonstration board, please contact our applications support at 800-323-8295, option 2, option 1 or by email at ps.customer.support@honeywell.com

Honeywell
12001 Highway 55
Plymouth, MN 55441
Tel: 800-323-8295
www.magneticsensors.com

Form #900391
October 2012
©2008 Honeywell International Inc.