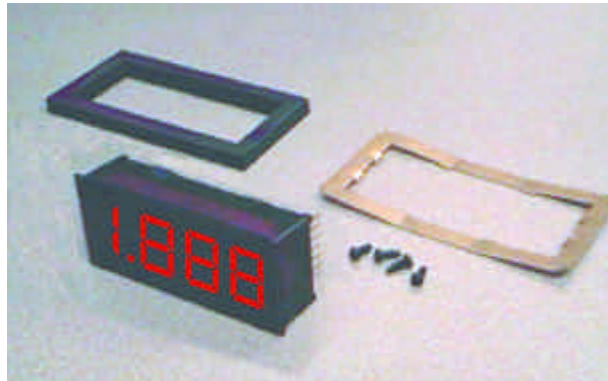


# DK630/640 SERIES

## DIP LED Digital Panel Meters - 3 1/2 Digit



### DESCRIPTION

The DIP LED series provides 3 1/2 digit red, blue, or green LED indication from a voltage input.

### FEATURES

- Available in red, blue or green
- Input ranges:      $\pm 200\text{mV}$   
                           $\pm 2\text{V}$   
                           $\pm 20\text{V}$
- User selectable decimal
- Polycarbonate case
- Optional Bezel Mount

### SPECIFICATIONS

Supply voltage:	+5 Vdc @ 40mA
Input Ranges:	$\pm 200\text{mV}$ , $\pm 2\text{V}$ , $\pm 20\text{V}$
Numeral Size:	.56" (14.27 mm)
Operating Temperature:	32° to 122°F (0-50°C)
Max Humidity:	95% (non-condensing)
Input Impedance:	100megohm
Polarity Indication:	Automatic (-) for negative input
Over/ Under range indication:	1.../-1...
Accuracy:	$\pm .1\%\text{F.S.} \pm 2$ counts
Common Mode Range:	$\pm 1$ Vdc
Sampling Rate:	3 / second
Connections:	12 pin

### ORDERING INFORMATION

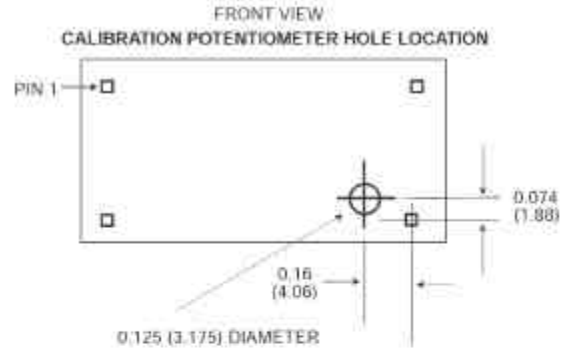
<b>DK630</b>	.....200mVin	.....High Intensity RED
<b>DK631</b>	.....2Vin	.....High Intensity RED
<b>DK632</b>	.....20Vin	.....High Intensity RED
<b>DK633</b>	.....200mVin	.....GREEN
<b>DK634</b>	.....2Vin	.....GREEN
<b>DK635</b>	.....20Vin	.....GREEN
<b>DK636</b>	.....200mVin	.....BLUE
<b>DK637</b>	.....2Vin	.....BLUE
<b>DK638</b>	.....20Vin	.....BLUE
<b>DK640</b>	.....200mVin	.....High Intensity RED .....w/ hold function
<b>DK641</b>	.....2Vin	.....High Intensity RED .....w/ hold function
<b>DK642</b>	.....20Vin	.....High Intensity RED .....w/ hold function

**DLA-BEZ** . . . . .Bezel Assembly

**PW2-5** . . . . .Regulated 120V AC to 5V DC Adaptor.....



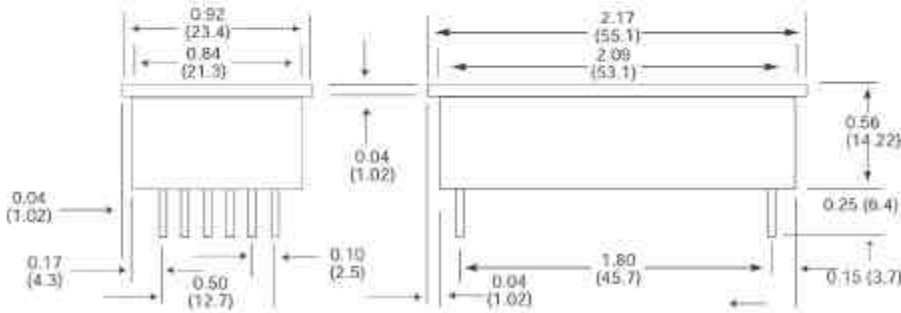
# Dimensions and Cut-out



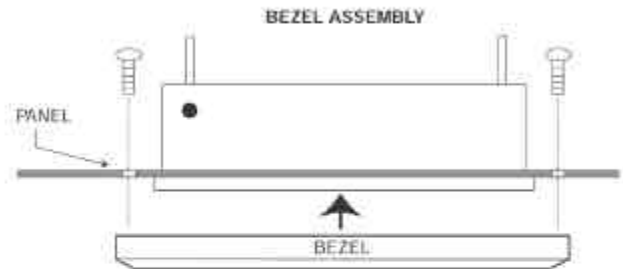
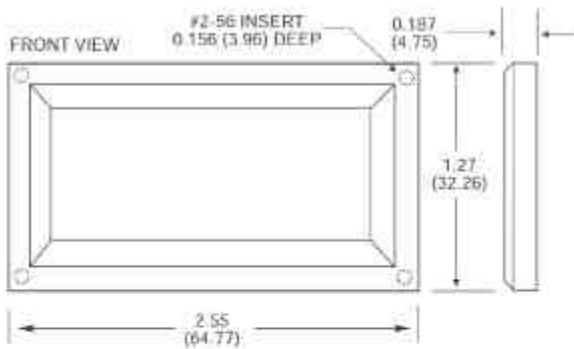
## Mechanical Specifications

Mechanical Dimensions: Inches (mm)

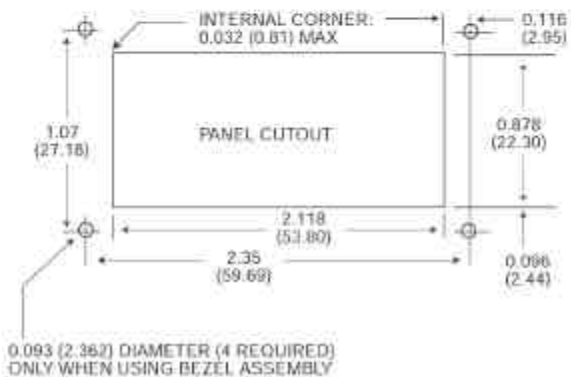
Pin Dimensions: 0.025 (0.635) x 0.025 (0.635)



### BEZEL ASSEMBLY



### RECOMMENDED PANEL CUTOUT



### RETAINING CLIP INSTALLATION

