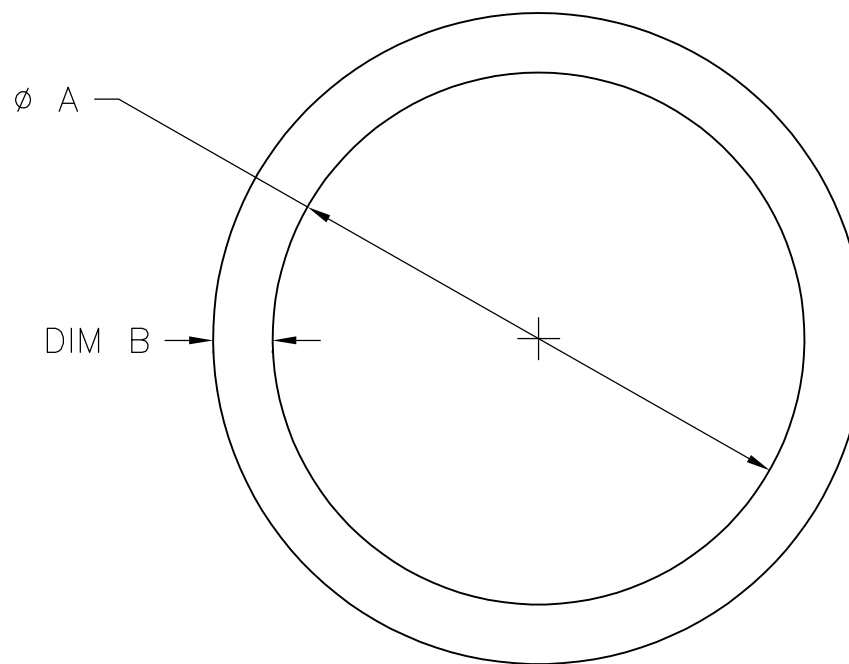



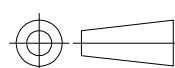
THIS DRAWING IS UNPUBLISHED. RELEASED FOR PUBLICATION - , - .
 © COPYRIGHT - By - ALL RIGHTS RESERVED.

LOC		DIST		REVISIONS			
P	LTR	DESCRIPTION		DATE	DWN	APVD	
	A	RELEASED		1-15-14	CT	WB	



PART NUMBER	MIL. SPECIFICATION	"A" DIM.	"B" DIM.
208039-8	FLUROSILICONE DUROMETER 60	1.378±.012	.059
208039-9	FLUROSILICONE DUROMETER 60	1.095±.010	.059

1 MATERIAL: FLUROSILICONE PER MIL-R-25988, CLASS 1, GR 60, DUROMETER 60.

THIS DRAWING IS A CONTROLLED DOCUMENT.		DWN C.C.THOMAS 1-15-14	 TE Connectivity				
DIMENSIONS: INCHES 		CHK W.BERNHART 1-15-14				NAME O- RING FOR ARINC 600 TYPE CONNECTORS	
TOLERANCES UNLESS OTHERWISE SPECIFIED: 0 PLC ± - 1 PLC ± - 2 PLC ± .02 3 PLC ± .005 4 PLC ± - ANGLES ± -		APVD W.BERNHART 1-15-14	PRODUCT SPEC				
MATERIAL		FINISH	APPLICATION SPEC	SIZE	CAGE CODE	DRAWING NO	RESTRICTED TO
1		-	-	A3	00779	C-208039	-
CUSTOMER DRAWING				SCALE	SHEET	REV	
				3:1	1 OF 1	A	