

**SERIES:** ACZ09 | **DESCRIPTION:** MECHANICAL INCREMENTAL ENCODER**ELECTRICAL SPECIFICATIONS**

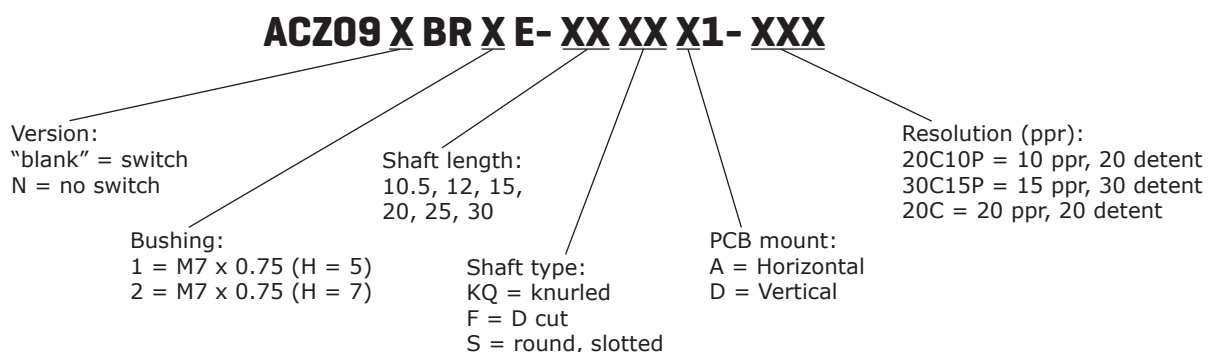
parameter	conditions/description
output waveform	square wave
output signals	A, B phase
current consumption	10 mA
output phase difference	T1, T2, T3, T4 $\geq$ 3.5 ms @ 60 rpm
supply voltage	5 V dc max.
output resolution	10, 15, 20 ppr
switch rating	12 V dc, 50 mA (ACZ09BRXE models only)
insulation resistance	100 M $\Omega$ , 300 V dc, 1 min.
withstand voltage	300 V ac, 1 minute; no arc, damage or dielectric breakdown

**MECHANICAL SPECIFICATIONS**

parameter	conditions/description	min	nom	max	units
shaft load	axial			8	kgf
rotational torque	with detent click	60	140	220	gf•cm
	without detent click	60	80	100	gf•cm
push switch operational force	(ACZ09BRXE models only)	300		1,500	gf•cm
push switch life	(ACZ09BRXE models only)			50,000	cycles
rotational life				30,000	cycles

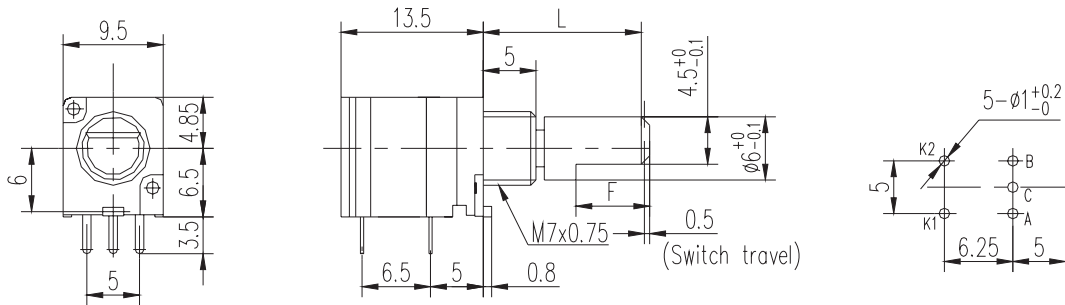
**ENVIRONMENTAL SPECIFICATIONS**

parameter	conditions/description	min	nom	max	units
operating temperature		-10		75	°C
storage temperature		-20		75	°C
humidity		0		95	% RH
vibration	0.75 mm max. travel for 2 hours	10		55	Hz

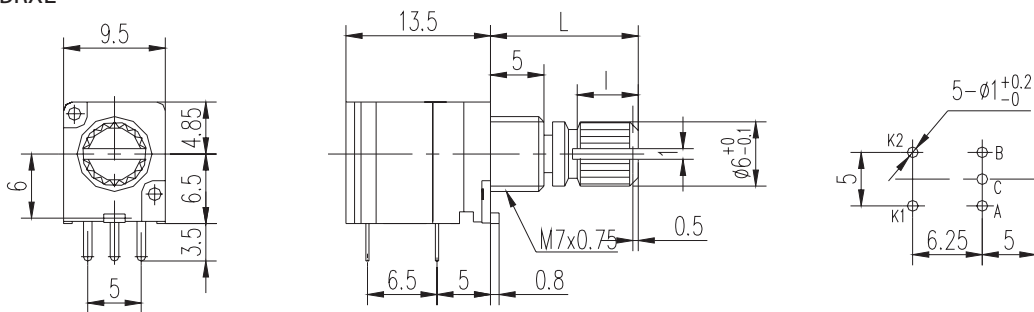
**PART NUMBER KEY**

## MECHANICAL DRAWING (horizontal)

ACZ09NBRXE

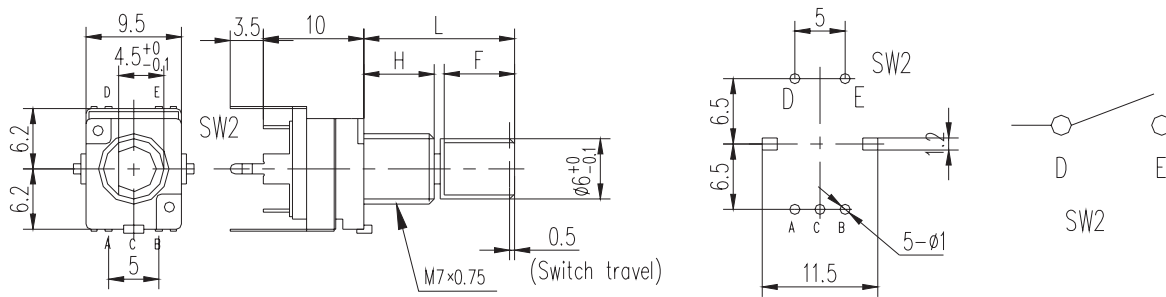


ACZ09BRXE

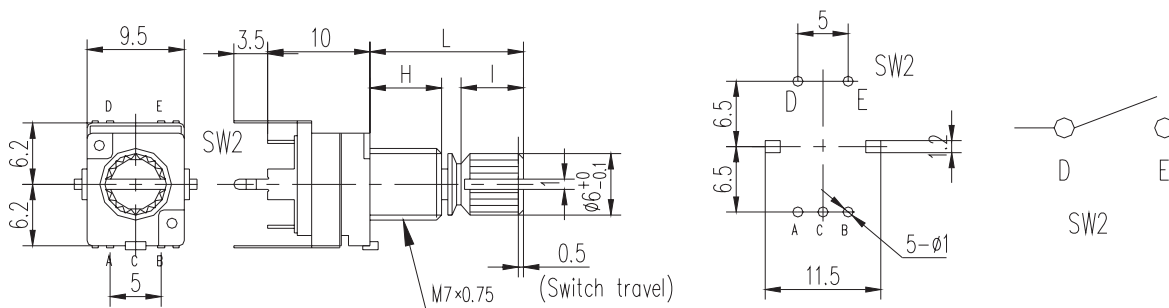


## MECHANICAL DRAWING (vertical)

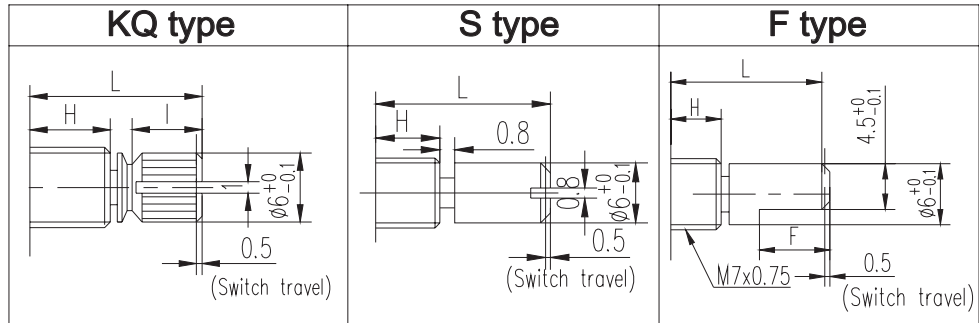
ACZ09NBRXE



ACZ09BRXE



## SHAFT OPTIONS



*H=5*

	15KQ	20KQ	25K Q
L	15	20	25
I	7	10	12

*H=7*

	15KQ	20KQ	25K Q
L	15	20	25
I	5	8.5	10

*H=5*

	15S	20S	25S
L	15	20	25

*H=7*

	15S	20S	25S
L	15	20	25

*H=5*

	15F	20F	25F
L	15	20	25
F	8	12	12

*H=7*

	15F	20F	25F
L	15	20	25
F	8	12	12

## REVISION HISTORY

---

rev.	description	date
1.0	initial release	10/30/2009
1.01	brand update	10/04/2019

The revision history provided is for informational purposes only and is believed to be accurate.

---

# CUI DEVICES

CUI Devices offers a one (1) year limited warranty. Complete warranty information is listed on our website.

CUI Devices reserves the right to make changes to the product at any time without notice. Information provided by CUI Devices is believed to be accurate and reliable. However, no responsibility is assumed by CUI Devices for its use, nor for any infringements of patents or other rights of third parties which may result from its use.

CUI Devices products are not authorized or warranted for use as critical components in equipment that requires an extremely high level of reliability. A critical component is any component of a life support device or system whose failure to perform can be reasonably expected to cause the failure of the life support device or system, or to affect its safety or effectiveness.