

**16 x 8 x 1 BiMOS-E Crosspoint Switch**

The Intersil CD22M3494 is an array of 128 analog switches capable of handling signals from DC to video. Because of the switch structure, input signals may swing through the total supply voltage range,  $V_{DD}$  to  $V_{EE}$ . Each of the 128 switches may be addressed via the ADDRESS input to the 7 to 128 line decoder. The state of the addressed switch is established by the signal to the DATA input. A low or zero input will open the switch, while a high logic level or a one will result in closure of the addressed switch when the STROBE input goes high from its normally low state. Any number or combination of connections may be active at one time. Each connection, however, must be made or broken individually in the manner previously described. All switches may be reset by taking the RESET input from a zero state to a one state and then returning it to its normal low state.

CS allows crosspoint array to be cascaded for matrix expansion.

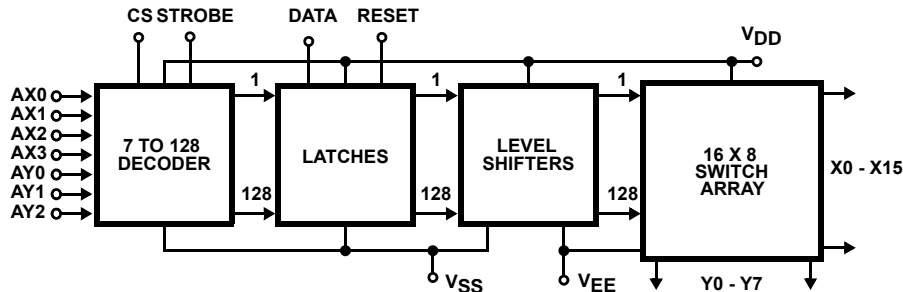
**Features**

- 128 Analog Switches
- Low  $r_{ON}$
- Guaranteed  $r_{ON}$  Matching
- Analog Signal Input Voltage Equal to the Supply Voltage
- Wide Operating Voltage . . . . . 4V to 15V
- Parallel Input Addressing
- High Latch Up Current . . . . . 50mA (Min)
- Very Low Crosstalk
- Pin and Functionally Compatible with the Following Types: SGS M3494 and Mitel MT8816
- Pb-Free Plus Anneal Available (RoHS Compliant)

**Applications**

- PBX Systems
- Instrumentation
- Analog and Digital Multiplexers
- Video Switching Networks

**Block Diagram**



Ordering Information

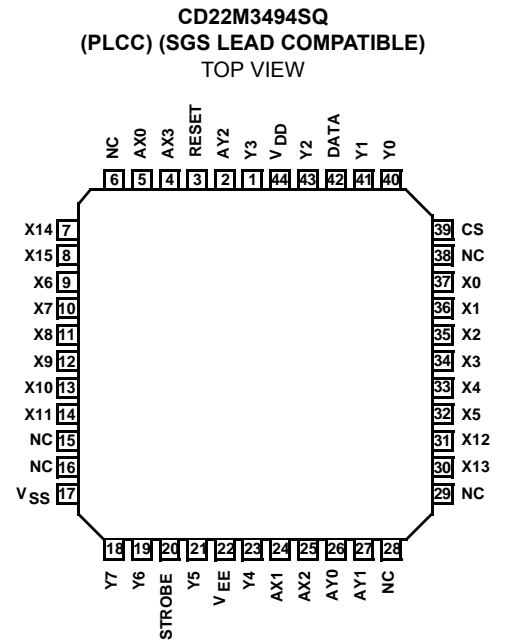
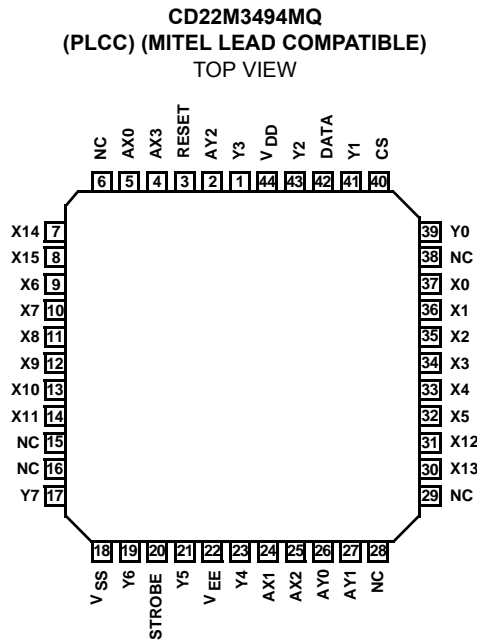
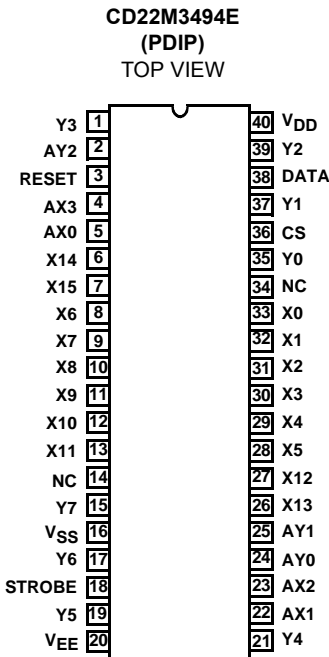
PART NUMBER	PART MARKING	TEMP. RANGE (°C)	PACKAGE	PKG. DWG. #
CD22M3494E	CD22M3494E	-40 to 85	40 Ld PDIP	E40.6
CD22M3494EZ (See Note)	CD22M3494EZ	-40 to 85	40 Ld PDIP** (Pb-free)	E40.6
CD22M3494MQ*	CD22M3494MQ	-40 to 85	44 Ld PLCC (Mitel Ld Compatible)	N44.65
CD22M3494MQZ* (See Note)	CD22M3494MQZ	-40 to 85	44 Ld PLCC (Mitel Ld Compatible) (Pb-free)	N44.65
CD22M3494MQA*	CD22M3494MQA	-40 to 85	44 Ld PLCC (Mitel Ld Compatible)	N44.65
CD22M3494MQAZ* (See Note)	CD22M3494MQAZ	-40 to 85	44 Ld PLCC (Mitel Ld Compatible) (Pb-free)	N44.65
CD22M3494SQ	CD22M3494SQ	-40 to 85	44 Ld PLCC (SGS Ld Compatible)	N44.65
CD22M3494SQZ (See Note)	CD22M3494SQZ	-40 to 85	44 Ld PLCC (SGS Ld Compatible) (Pb-free)	N44.65

\*Add "96" suffix for tape and reel.

\*\*Pb-free PDIPs can be used for through hole wave solder processing only. They are not intended for use in Reflow solder processing. applications.

NOTE: Intersil Pb-free plus anneal products employ special Pb-free material sets; molding compounds/die attach materials and 100% matte tin plate termination finish, which are RoHS compliant and compatible with both SnPb and Pb-free soldering operations. Intersil Pb-free products are MSL classified at Pb-free peak reflow temperatures that meet or exceed the Pb-free requirements of IPC/JEDEC J STD-020.

Pinouts



**Absolute Maximum Ratings**

DC Supply Voltage ( $V_{DD}$ )	
Voltages Referenced to $V_{EE}$	-0.5 to 16V
DC Supply Voltage ( $V_{DD}$ )	
Voltages Referenced to $V_{SS}$	-0.5, 16V
DC Input Diode Current, $I_{IN}$	
For $V_I$ , Digital < $V_{SS} - 0.5V$ or $V_I$ ,	
Analog < $V_{EE} - 0.5V$ or $V_I > V_{DD} + 0.5V$	$\pm 20mA$
DC Output Diode Current, $I_{OK}$	
For $V_O$ , Digital < $V_{SS} - 0.5V$ or $V_O$ ,	
Analog < $V_{EE} - 0.5V$ or $V_O > V_{DD} + 0.5V$	$\pm 20mA$
DC Transmission Gate Current	$\pm 25mA$
Power Dissipation Per Package ( $P_o$ )	
For $T_A = -40^\circ C$ to $85^\circ C$ (PDIP)	.500mW
For $T_A = 60^\circ C$ to $85^\circ C$ Derate Linearly	.12mW/ $^\circ C$ to 200mW
For $T_A = -40^\circ C$ to $85^\circ C$ (PLCC)	.600mW

**Thermal Information**

Thermal Resistance (Typical, Note 1)	$\theta_{JA}$ ( $^\circ C/W$ )
PDIP Package*	55
PLCC Package	43
Maximum Junction Temperature Plastic Package	150 $^\circ C$
Maximum Storage Temperature Range ( $T_{STG}$ )	-65 $^\circ C$ to 150 $^\circ C$
Maximum Lead Temperature (Soldering 10s)	300 $^\circ C$
(PLCC - Lead Tips Only)	

\*Pb-free PDIPs can be used for through hole wave solder processing only. They are not intended for use in Reflow solder processing applications.

**Operating Conditions**

Operating Temperature Range ( $T_A$ )	
Package Type E and Q	-40 $^\circ C$ to 85 $^\circ C$
Supply Voltage Range	
For $T_A =$ Full Package Temperature Range	
$V_{SS} = 0V, V_{EE} = 0V, V_{DD}$	4V to 15V
DC Input or Output Voltage $V_I$ or $V_O$	$V_{EE}$ to $V_{DD}$
Digital Input Voltage	$V_{SS}$ to $V_{DD}$

CAUTION: Stresses above those listed in "Absolute Maximum Ratings" may cause permanent damage to the device. This is a stress only rating and operation of the device at these or any other conditions above those indicated in the operational sections of this specification is not implied.

NOTE:

- $\theta_{JA}$  is measured with the component mounted on an evaluation PC board in free air.

**Electrical Specifications**  $T_A = -40^\circ C$  to  $85^\circ C, V_{DD} = 5V, V_{SS} = 0V, V_{EE} = 0V$ , Unless Otherwise Specified

PARAMETER	SYMBOL	TEST CONDITIONS	MIN	TYP	MAX	UNITS
<b>STATIC CONTROLS</b>						
Supply Current	$I_{DD}$	$V_{DD} = 5V$ , Logic Inputs = $V_{DD}$	-	-	2	mA
		$V_{DD} = 15V$ , Logic Inputs = $V_{DD}$	-	-	5	mA
High-Level Input Voltage	$V_{IH}$	$V_{DD} = 5V$	2.4 (Note 2)	-	-	V
Low-Level Input Voltage	$V_{IL}$		-	-	0.8 (Note 2)	V
Input Leakage Current, Digital	$I_{IN}$	Reset = Low (Note 3)	-	-	$\pm 10$ (Note 4)	$\mu A$

**Electrical Specifications**  $T_A = -40^\circ C$  to  $85^\circ C, V_{DD} = 12V, V_{SS} = 0V, V_{EE} = 0V$ , Unless Otherwise Specified.

PARAMETER	SYMBOL	TEST CONDITIONS	MIN	TYP	MAX	UNITS	
<b>STATIC CROSSPOINTS</b>							
ON Resistance	$r_{ON}$	$V_{SS} = V_{EE} = 0V,$ $T_A = 25^\circ C, V_{IN} = V_{DD}/2, V_X$ $- V_Y = 0.2V$	$V_{DD} = 10V$	-	40	75	$\Omega$
			$V_{DD} = 12V$	-	36	65	$\Omega$
ON Resistance	$r_{ON}$	$T_A = -40^\circ C$ to $85^\circ C,$ $V_{IN} = V_{DD}/2, V_X - V_Y = 0.2V,$ $V_{SS} = V_{EE} = 0V$	$V_{DD} = 10V$	-	50	75	$\Omega$
			$V_{DD} = 12V$	-	45	65	$\Omega$
Difference in ON Resistance Between Any Two Switches	$\Delta r_{ON}$	$T_A = 25^\circ C, V_{IN} = V_{DD}/2, V_X - V_Y = 0.2V,$ $V_{SS} = V_{EE} = 0V, V_{DD} = 12V$	-	6	10	$\Omega$	

# CD22M3494

**Electrical Specifications**  $T_A = -40^{\circ}\text{C}$  to  $85^{\circ}\text{C}$ ,  $V_{DD} = 12\text{V}$ ,  $V_{SS} = 0\text{V}$ ,  $V_{EE} = 0\text{V}$ , Unless Otherwise Specified. (Continued)

PARAMETER	SYMBOL	TEST CONDITIONS	MIN	TYP	MAX	UNITS
Difference in ON Resistance Between Any Two Switches	$\Delta r_{ON}$	$T_A = -40^{\circ}\text{C}$ to $85^{\circ}\text{C}$ , $V_{IN} = V_{DD}/2$ , $V_X - V_Y = 0.2\text{V}$ , $V_{DD} = 12\text{V}$ $V_{SS} = V_{EE} = 0\text{V}$ , $V_{DD} = 12\text{V}$	-	-	10	$\Omega$
OFF-State Leakage Current	$I_L$	$ V_X - V_Y  = 12\text{V}$	-	-	$\pm 10$ (Note 4)	$\mu\text{A}$

**Electrical Specifications**  $T_A = 25^{\circ}\text{C}$ ,  $V_{SS} = 0\text{V}$ ,  $V_{EE} = 0\text{V}$ ,  $V_{DD} = 14\text{V}$ ,  $C_L = 50\text{pF}$ , Unless Otherwise Specified.

PARAMETER	TEST CONDITIONS	MIN	TYP	MAX	UNITS
<b>DYNAMIC CROSSPOINTS</b>					
Switch I/O Capacitance	$V_{IN} = V_{DD}/2$ , $f = 1\text{MHz}$	-	-	20	$\text{pF}$
Switch Feedthrough Capacitance	$V_{IN} = V_{DD}/2$ , $f = 1\text{MHz}$	-	0.3	-	$\text{pF}$
Propagation Delay Time (Switch ON) Signal Input to Output, $t_{PHL}$ or $t_{PLH}$		-	5	30	$\text{ns}$
Frequency Response Channel ON $f = 20\log(V_X/V_Y) = -3\text{dB}$	$C_L = 3\text{pF}$ , $R_L = 75\Omega$ , $V_{IN} = 2V_{P-P}$	-	50	-	$\text{MHz}$
Total Harmonic, THD	$V_{IN} = 2V_{P-P}$ , $f = 1\text{kHz}$	-	0.01	-	%
Feedthrough Channel OFF Feedthrough = $20\log(V_X/V_Y) = F_{DT}$	$V_{IN} = 2V_{P-P}$ , $f = 1\text{kHz}$	-	-95	-	$\text{dB}$
Frequency for Signal Crosstalk, $f_{CT}$ Attenuation of:	40dB $V_{IN} = 2V_{P-P}$ , $R_L = 75\Omega$	-	10	-	$\text{MHz}$
	110dB $V_{IN} = 2V_{P-P}$ , $R_L = 1\text{k}\Omega \parallel 10\text{pF}$	-	5	-	$\text{kHz}$
Control Crosstalk DATA-Input, ADDRESS, or STROBE to Output	Control Input = $3V_{P-P}$ Square Wave, $t_R = t_F = 10\text{ns}$ $R_{IN} = 1\text{K}$ , $R_{OUT} = 10\text{k}\Omega \parallel 10\text{pF}$	-	75	-	$\text{mV}_{PEAK}$

**Electrical Specifications**  $T_A = 25^{\circ}\text{C}$ ,  $V_{SS} = 0\text{V}$ ,  $V_{EE} = 0\text{V}$ ,  $V_{DD} = 14\text{V}$ ,  $R_L = 1\text{k}\Omega \parallel 50\text{pF}$ , Unless Otherwise Specified.

PARAMETER	SYMBOL	TEST CONDITIONS	MIN	TYP	MAX	UNITS
<b>DYNAMIC CONTROLS</b>						
Digital Input Capacitance	$C_{IN}$	$V_{IN} = 5\text{V}$ , $f = 1\text{MHz}$	-	5	-	$\text{pF}$
Propagation Delay Time STROBE to Output	Switch Turn-ON	$t_{PSN}$	-	50	100	$\text{ns}$
	Switch Turn-OFF	$t_{PSF}$	-	50	100	$\text{ns}$
DATA-IN to Output	Turn-ON to High Level	$t_{PZH}$	-	60	100	$\text{ns}$
	Turn-ON to Low Level	$t_{PZL}$	-	70	100	$\text{ns}$
ADDRESS to Output	Turn-ON to High Level	$t_{PAN}$	-	70	-	$\text{ns}$
	Turn-OFF to Low Level	$t_{PAF}$	-	70	-	$\text{ns}$

## CD22M3494

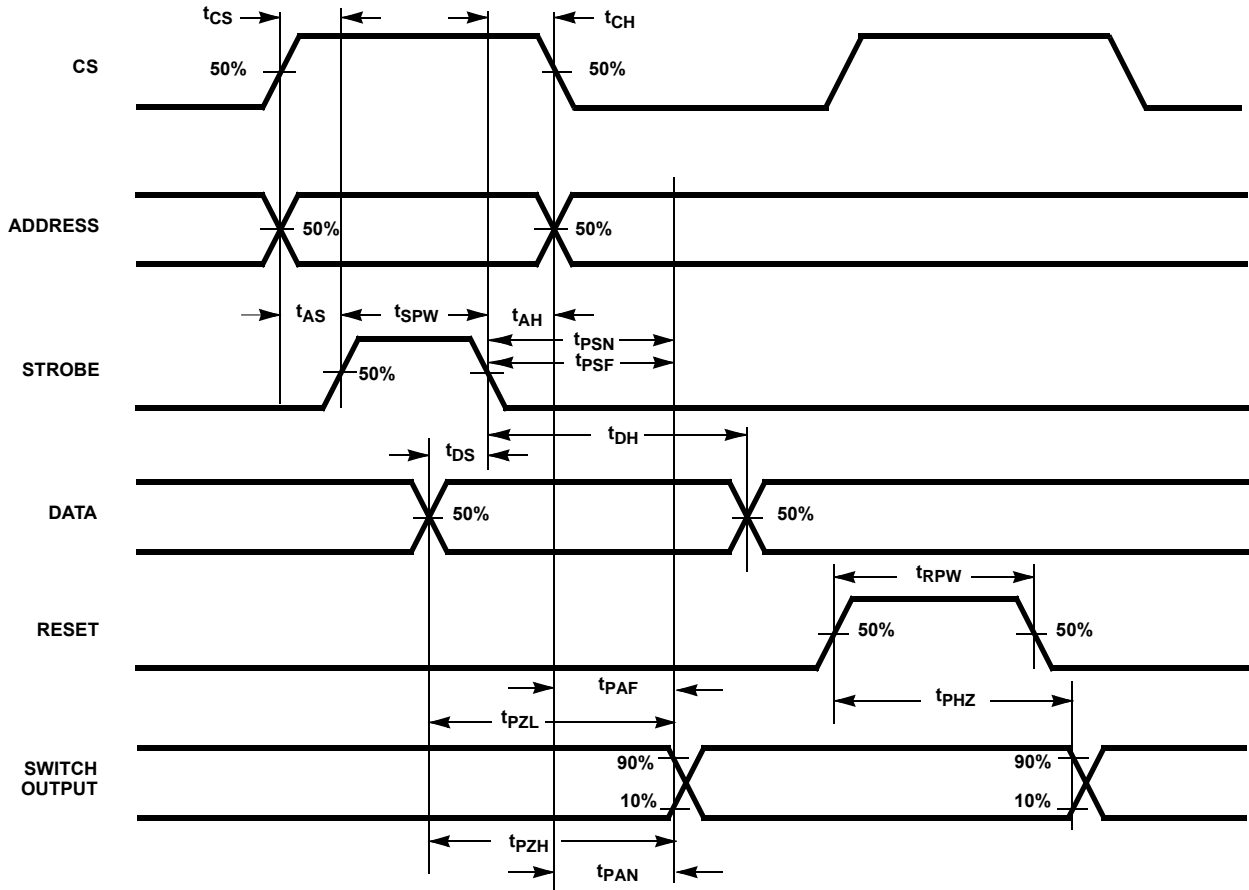
### Electrical Specifications $T_A = 25^\circ\text{C}$ , $V_{SS} = 0\text{V}$ , $V_{EE} = 0\text{V}$ , $V_{DD} = 14\text{V}$ , $R_L = 1\text{k}\Omega \parallel 50\text{pF}$ , Unless Otherwise Specified. (Continued)

PARAMETER	SYMBOL	TEST CONDITIONS	MIN	TYP	MAX	UNITS
Setup Time						
CS to STROBE	$t_{CS}$		10	-	-	ns
DATA-IN to STROBE	$t_{DS}$		10	-	-	ns
ADDRESS to STROBE	$t_{AS}$		10	-	-	ns
Hold Time						
STROBE to CS	$t_{CH}$		10	-	-	ns
ADDRESS to CS			10	-	-	ns
STROBE to DATA-IN	$t_{DH}$		20	-	-	ns
STROBE to ADDRESS	$t_{AH}$		10	-	-	ns
DATA-IN to CS			20	-	-	ns
Pulse Width						
STROBE	$t_{SPW}$		20	-	-	ns
RESET	$t_{RPW}$		20	-	-	ns
RESET Turn-OFF to Output Delay	$t_{PHZ}$		-	70	100	ns

NOTES:

2. Operation of  $V_{IH}$  at 2.4V or  $V_{IL}$  at 0.8V will result in much higher supply current ( $I_{DD}$ ) than for logic inputs equal to  $V_{DD}$  or  $V_{SS}$  respectively.
3. Reset  $I_{IH} < 20\mu\text{A}$ , Reset =  $V_{IH}$ .
4. At  $25^\circ\text{C}$  Limit is  $\pm 100\text{nA}$ .

Timing Diagram



TRUTH TABLE X AXIS

X ADDRESS				X SWITCH
AX3	AX2	AX1	AX0	
0	0	0	0	X0
0	0	0	1	X1
0	0	1	0	X2
0	0	1	1	X3
0	1	0	0	X4
0	1	0	1	X5
0	1	1	0	X12
0	1	1	1	X13
1	0	0	0	X6
1	0	0	1	X7
1	0	1	0	X8
1	0	1	1	X9
1	1	0	0	X10
1	1	0	1	X11
1	1	1	0	X14
1	1	1	1	X15

TRUTH TABLE Y AXIS

Y ADDRESS				Y SWITCH
AY2	AY1	AY0		
0	0	0		Y0
0	0	1		Y1
0	1	0		Y2
0	1	1		Y3
1	0	0		Y4
1	0	1		Y5
1	1	0		Y6
1	1	1		Y7

To make a connection (close switch) between any two points, specify an "X" address, a "Y" address, set "DATA" high, and switch "STROBE" from low to high. To break a connection, follow this same procedure with "DATA" low.

Example:

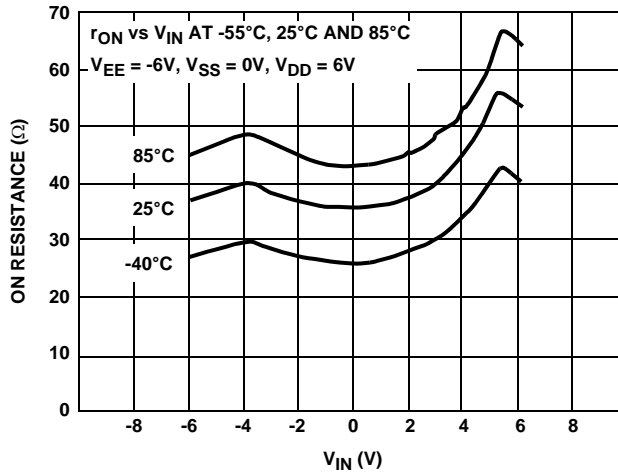
To connect switch X3 to switch Y4:

To connect switch X6 to switch Y7:

To break connection from X3 to Y4:

DATA	X ADDRESS				Y ADDRESS		
	AX3	AX2	AX1	AX0	AY2	AY1	AY0
1	0	0	1	1	1	0	0
1	1	0	0	0	1	1	1
0	0	0	1	1	1	0	0

**Typical Performance Curve**



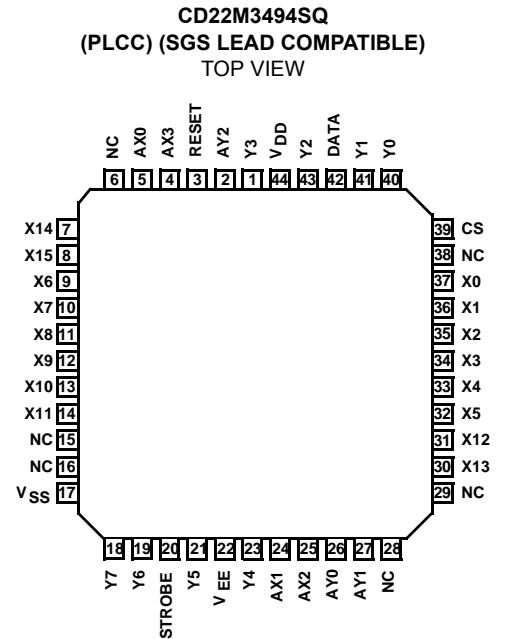
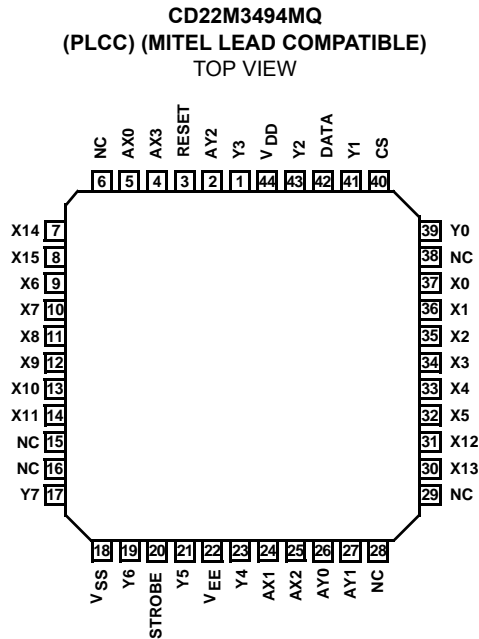
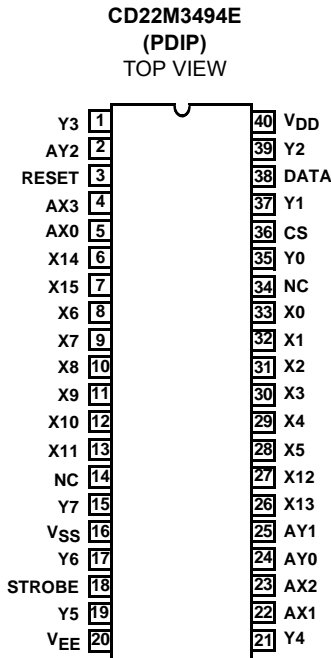
**Pin Descriptions**

SYMBOL	40 LD PDIP PIN NO.	44 LD PLCC PIN NO.		DESCRIPTION
		MQ	SQ	
<b>POWER SUPPLIES</b>				
V <sub>DD</sub>	40	44	44	Positive Supply.
V <sub>SS</sub>	16	18	17	Negative Supply (Digital).
V <sub>EE</sub>	20	22	22	Negative Supply (Analog).
<b>ADDRESS</b>				
AX0 - AX3	5, 22, 23 and 4	5, 24, 25 and 4		X Address Lines. These pins select one of the 16 rows of switches. See the Truth Table for the valid addresses.
AY0 - AY2	24, 25 and 2	26, 27 and 2		Y Address Lines. These pins select one of the 8 columns of switches. See the Truth Table for the valid addresses.
<b>CONTROL</b>				
DATA	38	42		DATA Input determines the state of the addressed switch. A high or one will close the switch. A low or zero will open the switch.
STROBE	18	20		STROBE Input enables the action defined by the DATA and ADDRESS Inputs. A low or zero results in no action. The ADDRESS Input must be stable before the STROBE Input goes to the active high level. The DATA Input must be stable on the falling edge of the STROBE.
RESET	3	3		MASTER RESET. A high or one on this line opens all switches.
CS	36	40	39	CHIP SELECT. Device is selected when CS is at a high level, allows the crosspoint array to be cascaded for matrix expansion.

**Pin Descriptions** (Continued)

SYMBOL	40 LD PDIP PIN NO.	44 LD PLCC PIN NO.		DESCRIPTION
		MQ	SQ	
<b>INPUTS/OUTPUTS</b>				
X0 - X5 X6 - X11 X12 - X15	33-28, 8-13, 27, 26, 6, 7	37-32, 9-14, 31, 30, 7, 8		Analog or Digital Inputs/Outputs. These pins are the rows X0 - X15.
Y0 - Y7 I/O	35, 37, 39, 1, 21, 19, 17, 15	39, 41, 43, 1, 23, 21, 19, 17	40, 41, 43, 1, 23, 21, 19, 18	Analog or Digital Inputs/Outputs. These pins are the columns Y0 - Y7.

**Pinouts**



All Intersil U.S. products are manufactured, assembled and tested utilizing ISO9000 quality systems.  
Intersil Corporation's quality certifications can be viewed at [www.intersil.com/design/quality](http://www.intersil.com/design/quality)

*Intersil products are sold by description only. Intersil Corporation reserves the right to make changes in circuit design, software and/or specifications at any time without notice. Accordingly, the reader is cautioned to verify that data sheets are current before placing orders. Information furnished by Intersil is believed to be accurate and reliable. However, no responsibility is assumed by Intersil or its subsidiaries for its use; nor for any infringements of patents or other rights of third parties which may result from its use. No license is granted by implication or otherwise under any patent or patent rights of Intersil or its subsidiaries.*

For information regarding Intersil Corporation and its products, see [www.intersil.com](http://www.intersil.com)