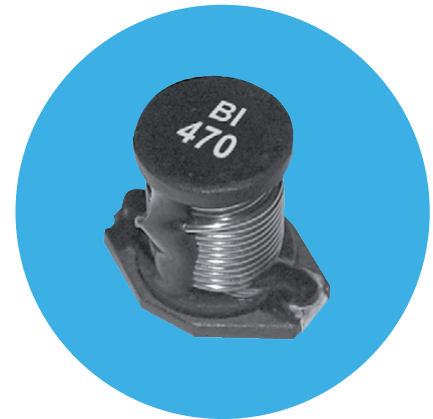


High Performance Low Cost Surface Mount Inductors

Model HM71

Features and Benefits

- Operating Temperature Range -40°C to +125°C
- Temperature Rise at Irms, Typical 40°C
- Operating Frequency Up to 1MHz
- RoHS Compliant



Specifications

| Part Number | Inductance ⁽¹⁾ μH ± 20% | DCR ⁽²⁾ Ω Max. | I _{sat} ⁽³⁾ Amps | I _{rms} ⁽⁴⁾ Amps rms | Part Number | Inductance ⁽¹⁾ μH ± 20% | DCR ⁽²⁾ Ω Max. | I _{sat} ⁽³⁾ Amps | I _{rms} ⁽⁴⁾ Amps rms |
|--------------|---------------------------------------|------------------------------|---|---|--------------|---------------------------------------|------------------------------|---|---|
| HM71-101ROLF | 1.0 | 0.05 | 2.9 | 2.9 | HM71-30330LF | 33 | 0.10 | 2.0 | 2.1 |
| HM71-101R5LF | 1.5 | 0.05 | 2.6 | 2.8 | HM71-30470LF | 47 | 0.14 | 1.6 | 1.8 |
| HM71-102R2LF | 2.2 | 0.07 | 2.3 | 2.4 | HM71-30680LF | 68 | 0.20 | 1.4 | 1.5 |
| HM71-103R3LF | 3.3 | 0.08 | 2.0 | 2.0 | HM71-30101LF | 100 | 0.28 | 1.2 | 1.3 |
| HM71-104R7LF | 4.7 | 0.09 | 1.5 | 1.5 | HM71-30151LF | 150 | 0.40 | 1.0 | 1.0 |
| HM71-106R8LF | 6.8 | 0.13 | 1.2 | 1.4 | HM71-30221LF | 220 | 0.61 | 0.8 | 0.8 |
| HM71-10100LF | 10 | 0.16 | 1.1 | 1.1 | HM71-30331LF | 330 | 1.02 | 0.6 | 0.6 |
| HM71-10150LF | 15 | 0.23 | 0.9 | 1.2 | HM71-30471LF | 470 | 1.27 | 0.5 | 0.5 |
| HM71-10220LF | 22 | 0.37 | 0.7 | 0.8 | HM71-30681LF | 680 | 2.02 | 0.4 | 0.4 |
| HM71-10330LF | 33 | 0.51 | 0.58 | 0.6 | HM71-30102LF | 1000 | 3.00 | 0.3 | 0.3 |
| HM71-10470LF | 47 | 0.64 | 0.5 | 0.5 | HM71-40100LF | 10 | 0.040 | 8.0 | 3.5 |
| HM71-10680LF | 68 | 0.86 | 0.4 | 0.4 | HM71-40150LF | 15 | 0.050 | 7.0 | 3.0 |
| HM71-10101LF | 100 | 1.27 | 0.31 | 0.3 | HM71-40220LF | 22 | 0.066 | 5.5 | 2.5 |
| HM71-10151LF | 150 | 2.00 | 0.27 | 0.25 | HM71-40330LF | 33 | 0.080 | 4.0 | 2.0 |
| HM71-10221LF | 220 | 2.65 | 0.22 | 0.2 | HM71-40470LF | 47 | 0.110 | 3.8 | 1.6 |
| HM71-10331LF | 330 | 3.8 | 0.18 | 0.16 | HM71-40680LF | 68 | 0.170 | 3.0 | 1.2 |
| HM71-10471LF | 470 | 5.06 | 0.16 | 0.15 | HM71-40101LF | 100 | 0.220 | 2.5 | 1.2 |
| HM71-10681LF | 680 | 9.20 | 0.14 | 0.12 | HM71-40151LF | 150 | 0.340 | 2.0 | 0.9 |
| HM71-10102LF | 1000 | 13.8 | 0.1 | 0.07 | HM71-40221LF | 220 | 0.440 | 1.6 | 0.7 |
| HM71-20100LF | 10 | 0.11 | 2.4 | 2.0 | HM71-40331LF | 330 | 0.70 | 1.2 | 0.6 |
| HM71-20150LF | 15 | 0.15 | 2.0 | 1.5 | HM71-40471LF | 470 | 0.950 | 1.0 | 0.3 |
| HM71-20220LF | 22 | 0.23 | 1.6 | 1.3 | HM71-40681LF | 680 | 1.20 | 1.0 | 0.2 |
| HM71-20330LF | 33 | 0.30 | 1.4 | 1.1 | HM71-40102LF | 1000 | 2.00 | 0.8 | 0.1 |
| HM71-20470LF | 47 | 0.39 | 1.0 | 0.8 | HM71-501ROLF | 1.0 | 0.009 | 20.0 | 8.6 |
| HM71-20680LF | 68 | 0.66 | 0.9 | 0.7 | HM71-502R2LF | 2.2 | 0.014 | 16.0 | 7.1 |
| HM71-20101LF | 100 | 0.84 | 0.7 | 0.6 | HM71-503R3LF | 3.3 | 0.015 | 14.0 | 6.2 |
| HM71-20151LF | 150 | 1.20 | 0.6 | 0.5 | HM71-505R6LF | 5.6 | 0.020 | 12.0 | 5.3 |
| HM71-20221LF | 220 | 1.90 | 0.5 | 0.4 | HM71-50100LF | 10 | 0.031 | 10.0 | 4.3 |
| HM71-20331LF | 330 | 2.70 | 0.4 | 0.3 | HM71-50150LF | 15 | 0.036 | 8.0 | 4.0 |
| HM71-20471LF | 470 | 4.00 | 0.3 | 0.2 | HM71-50220LF | 22 | 0.047 | 7.0 | 3.5 |
| HM71-20681LF | 680 | 5.30 | 0.2 | 0.1 | HM71-50330LF | 33 | 0.066 | 5.5 | 3.0 |
| HM71-20102LF | 1000 | 8.40 | 0.1 | 0.05 | HM71-50470LF | 47 | 0.086 | 4.5 | 2.6 |
| HM71-301ROLF | 1.0 | 0.009 | 9.0 | 6.8 | HM71-50680LF | 68 | 0.130 | 3.5 | 2.3 |
| HM71-301R5LF | 1.5 | 0.010 | 8.0 | 6.4 | HM71-50101LF | 100 | 0.190 | 3.0 | 1.8 |
| HM71-302R2LF | 2.2 | 0.012 | 7.0 | 6.1 | HM71-50151LF | 150 | 0.250 | 2.6 | 1.5 |
| HM71-303R3LF | 3.3 | 0.015 | 6.4 | 5.4 | HM71-50221LF | 220 | 0.380 | 2.4 | 1.2 |
| HM71-304R7LF | 4.7 | 0.018 | 5.4 | 4.8 | HM71-50331LF | 330 | 0.560 | 1.9 | 1.0 |
| HM71-306R8LF | 6.8 | 0.027 | 4.6 | 4.4 | HM71-50471LF | 470 | 0.850 | 1.4 | 0.82 |
| HM71-30100LF | 10 | 0.038 | 3.8 | 3.9 | HM71-50681LF | 680 | 1.10 | 1.2 | 0.72 |
| HM71-30150LF | 15 | 0.046 | 3.0 | 3.1 | HM71-50102LF | 1000 | 1.80 | 1.0 | 0.56 |
| HM71-30220LF | 22 | 0.085 | 2.6 | 2.7 | | | | | |

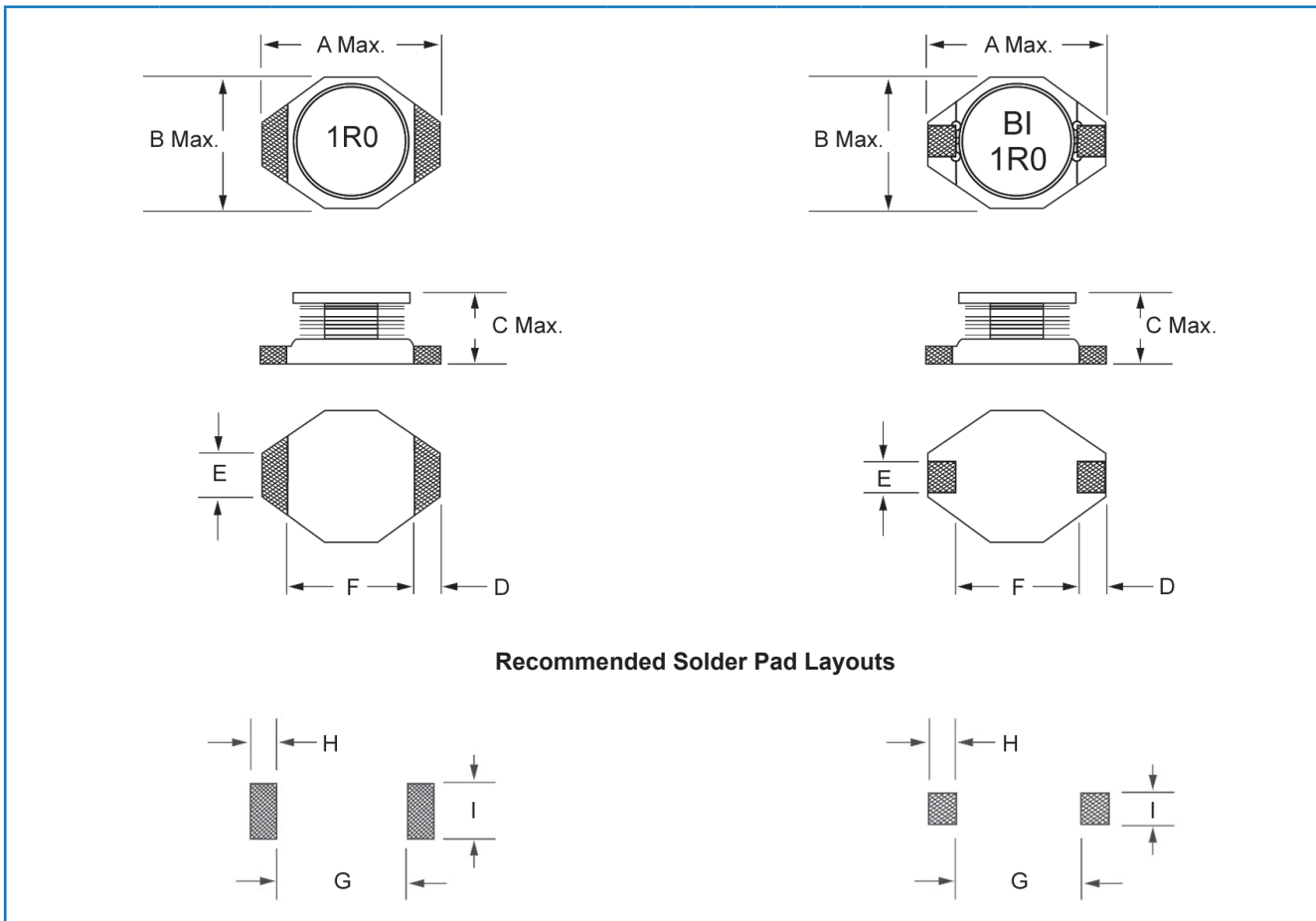
Notes: (1) Inductance is measured at 100 kHz, 0.1 Vrms.
 (2) DC resistance is measured at 20°C.
 (3) Isat is the saturation current at which inductance rolls off approximately 10%.
 (4) Irms is the approximate current at which ΔT = 40°C.

General Note

TT Electronics reserves the right to make changes in product specification without notice or liability.
 All information is subject to TT Electronics' own data and is considered accurate at time of going to print.

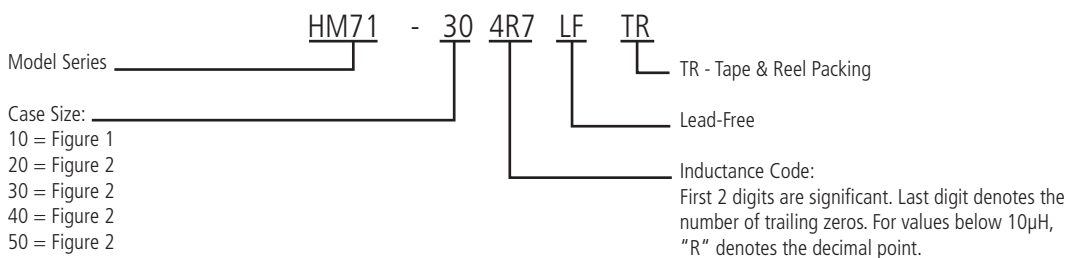
Model HM71

Outline Dimensions (Inch/mm) / Packaging



| Case Size | Figure | A | B | C | D | E | F | G | H | I | Reel Diameter | Reel Capacity |
|-----------|--------|----------------|----------------|----------------|---------------|---------------|----------------|----------------|---------------|---------------|---------------|---------------|
| 10 | 1 | 0.260 6.60 | 0.175 4.45 | 0.115 2.92 | 0.04 1.02 | 0.05 1.27 | 0.170 4.32 | 0.160 4.06 | 0.055 1.40 | 0.140 3.56 | 7" | 500 Units |
| 20 | 2 | 0.510 12.95 | 0.3700 9.4 | 0.118 3.00 | 0.100 2.54 | 0.100 2.54 | 0.300 7.62 | 0.290 7.37 | 0.115 2.92 | 0.110 2.79 | 13" | 1500 Units |
| 30 | 2 | 0.510 12.95 | 0.370 9.40 | 0.213 5.40 | 0.100 2.54 | 0.100 2.54 | 0.300 7.62 | 0.290 7.37 | 0.115 2.92 | 0.110 2.79 | 13" | 500 Units |
| 40 | 2 | 0.510 12.95 | 0.370 9.40 | 0.450 11.43 | 0.100 2.54 | 0.100 2.54 | 0.300 7.62 | 0.290 7.37 | 0.115 2.92 | 0.110 2.79 | 13" | 250 Units |
| 50 | 2 | 0.730 18.54 | 0.600 15.24 | 0.280 7.11 | 0.100 2.54 | 0.100 2.54 | 0.500 12.70 | 0.490 12.45 | 0.115 2.92 | 0.110 2.79 | 13" | 350 Units |

Ordering Information



General Note

TT Electronics reserves the right to make changes in product specification without notice or liability. All information is subject to TT Electronics' own data and is considered accurate at time of going to print.