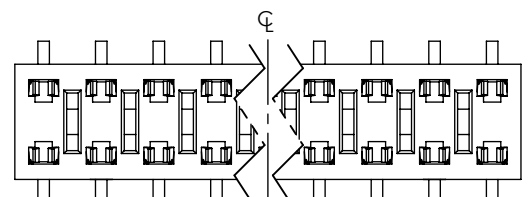


CLH-1XX-XX-X-XX-X-XX



-BE TOP VIEW

- No OF POSITIONS  
-02 THRU -51
- PLATING SPEC
- L: 10µ" LIGHT SELECTIVE GOLD ON CONTACT AREA, MATTE TIN ON TAIL
  - F: 3µ" FLASH SELECTIVE GOLD IN CONTACT AREA MATTE TIN ON TAIL
  - H: 30µ" HEAVY GOLD IN CONTACT AREA 3µ" GOLD ON TAIL (ONLY OFFERED ON DV, PE & BE)
  - G: 10µ" GOLD IN CONTACT AREA 3µ" GOLD ON TAIL (NOT AVAILABLE WITH -PE & -TE)
  - LM: 10µ" LIGHT SELECTIVE GOLD IN CONTACT AREA MATTE TIN ON TAIL
  - FM: 3µ" FLASH SELECTIVE GOLD MATTE TIN ON TAIL
- OPTION  
-TR: TAPE & REEL (29 POSITION MAX)
- OPTION  
-P: PICK & PLACE PAD (SEE FIGURE 5)  
AVAILABLE ON POSITIONS 03 THRU 50 ONLY
- A: ALIGNMENT PIN (N/A ON -PE & -TE. SEE FIG 6 & 7 SHT 2) (-4 POS MIN)
  - LC: LOCKING CLIP (N/A ON -TE. SEE FIG 6 & 7 SHT 2)
  - K: POLYIMIDE FILM PAD (AVAILABLE ON POS 03 THRU 50 ONLY) (SEE FIG 8, SHT 2) (USE K-DOT-.256-.375-.005) (AVAILABLE FOR ENTRY STYLE-DV AND -BE ONLY)
- ENTRY STYLE
- DV: SURFACE MOUNT (SEE TABLE 1 & FIG 1)
  - \*-TE: TOP ENTRY (SEE TABLE 1 & FIG 2)
  - PE: PASS-THROUGH ENTRY (SEE TABLE 1 & FIG 3)
  - BE: BOTTOM MOUNT ENTRY (SEE TABLE 1 & FIG 4)
- BODY SPECIFICATION  
-D: DOUBLE ROW (SEE TABLE 1)
- (\* = AVAILABLE TO EXISTING CUSTOMERS ONLY)

DO NOT SCALE FROM THIS PRINT

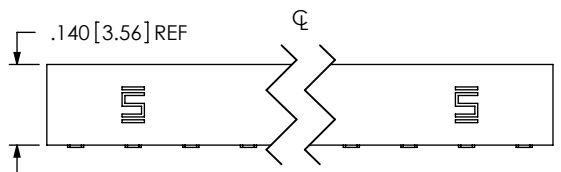
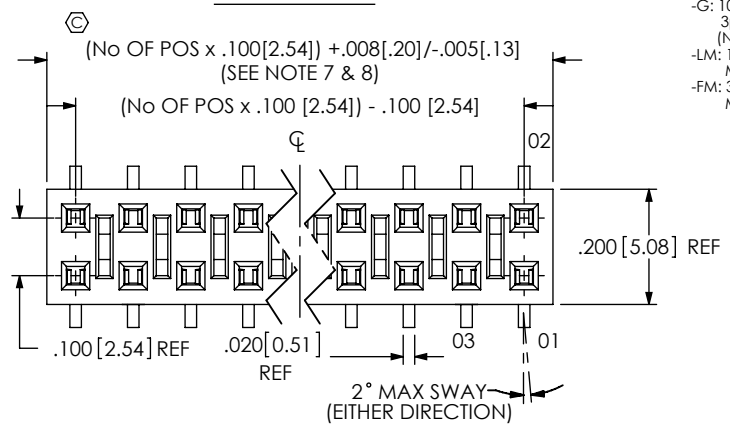


FIG 1 (-DV: SURFACE MOUNT)

TABLE 1		
ENTRY SPEC	CONTACT	INSULATOR
-DV (SEE FIG 1)	C-73-01-X-X	CLH-XX-D
-TE (SEE FIG 2)	C-73-02-X-X	CLH-XX-D
-PE (SEE FIG 3)	C-73-04-X-X	CLH-XX-D
-BE (SEE FIG 4)	C-73-01-X-X	CLH-XX-DBE

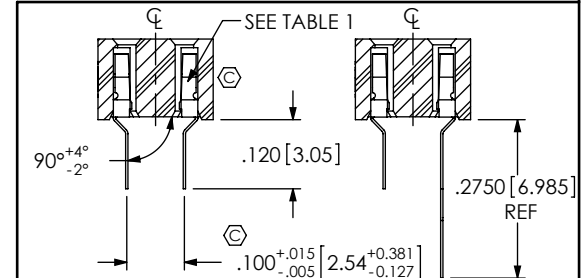


FIG 2 (-TE: TOP ENTRY) IN PROCESS

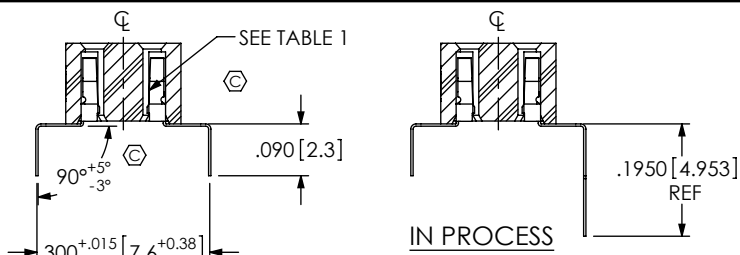


FIG 3 (-PE: PASS-THROUGH ENTRY)

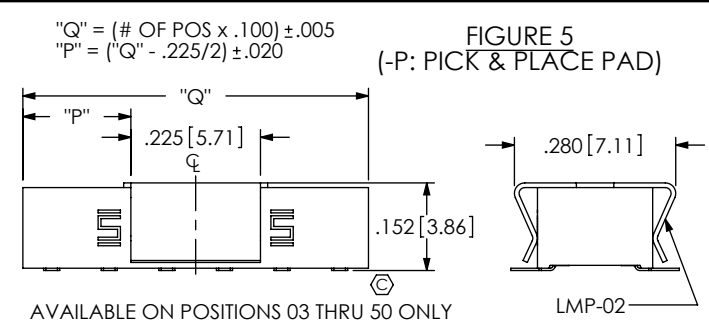


FIGURE 5 (-P: PICK & PLACE PAD)

AVAILABLE ON POSITIONS 03 THRU 50 ONLY

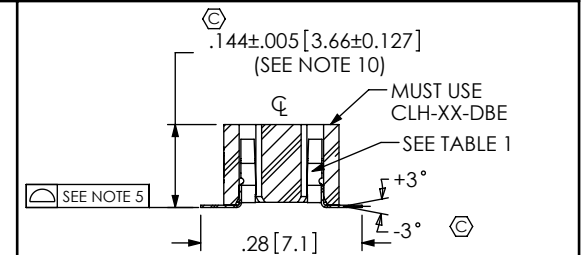


FIG 4 (-BE: BOTTOM MOUNT ENTRY)

- NOTES:
1. Ⓢ REPRESENTS A CRITICAL DIMENSION.
  2. PUSHOUT FORCE TO BE: 1 lb. MIN.
  3. [ ] DIMENSIONS ARE IN MILLIMETERS.
  4. PARTS TO BE SYMMETRICAL ABOUT Ⓢ.
  5. FOR POSITIONS -02 THRU -40, COPLANARITY TO BE .004; FOR POSITIONS -41 THRU -51, COPLANARITY TO BE .006.
  6. TUBE POSITIONS 03 THRU 51; LAYER PACKAGE POSITION 02. (-PE CAN BE TUBED 02 THRU 51)
  7. WILL LOSE A POSITION FOR EVERY CUT MADE ON A SOCKET STRIP; CUT FLASH TO BE .010 [0.25] MAX WITH NO FLASH ALLOWED IN HOLES OR EXTENDING BELOW LEADS.
  8. ENDWALL AFTER CUTTING: .0255 ±.003
  9. MAX BURR: .003
  10. DIMENSION TO BE MEASURED FROM BEND RADIUS.

UNLESS OTHERWISE SPECIFIED, DIMENSIONS ARE IN INCHES. TOLERANCES ARE:

DECIMALS	ANGLES
.XX: ±.01 [.3]	2°
.XXX: ±.005 [.13]	
.XXXX: ±.0020 [.051]	

PROPRIETARY NOTE  
THIS DOCUMENT CONTAINS INFORMATION CONFIDENTIAL AND PROPRIETARY TO SAMTEC, INC. AND SHALL NOT BE REPRODUCED OR TRANSFERRED TO OTHER DOCUMENTS OR DISCLOSED TO OTHERS OR USED FOR ANY PURPOSE OTHER THAN THAT WHICH IT WAS OBTAINED WITHOUT THE EXPRESSED WRITTEN CONSENT OF SAMTEC, INC.



520 PARK EAST BLVD. NEW ALBANY, IN 47150  
PHONE: 812-944-6733 FAX: 812-948-5047  
e-Mail: info@SAMTEC.com code 55322

MATERIAL: DO NOT SCALE DRAWING SHEET SCALE: 3:1  
BODY: PTFELCP, UL 94 VO. COLOR: BLACK  
CONTACT: 521 PHOSPHOR BRONZE FULL HARD

DESCRIPTION: SMA RIGHT ANGLE, JACK, 50 OHM

DWG. NO. CLH-1XX-XX-X-XX-X-XX

BY: ALVIN W 9/10/2010 SHEET 1 OF 2

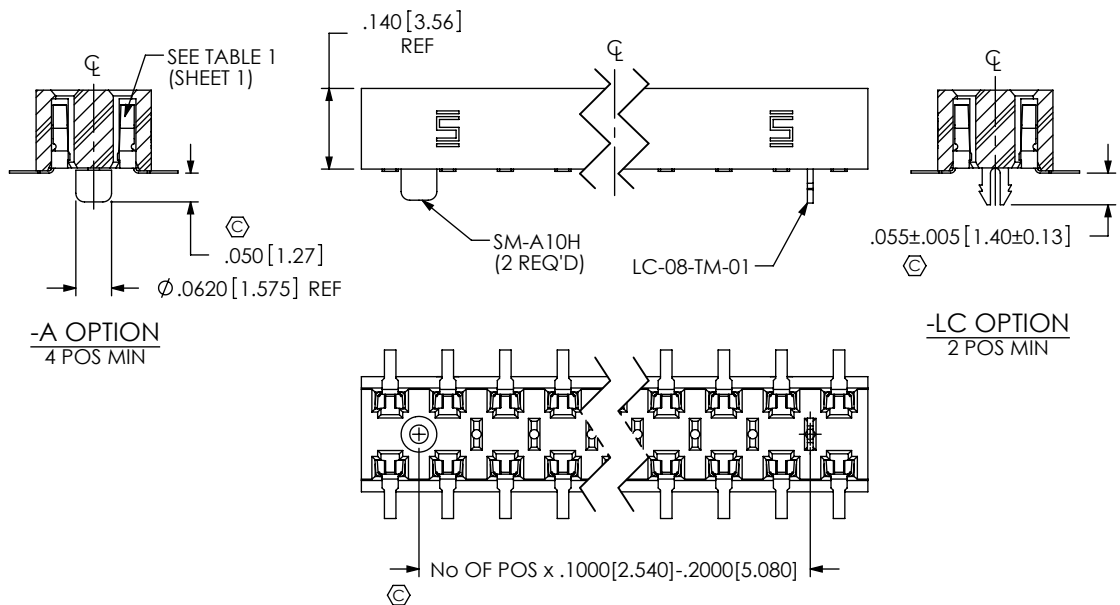


FIG 6  
 (-DV-A & -LC: SURFACE MOUNT WITH ALIGNMENT PIN OR LOCKING CLIP OPTION)  
 [DIFFERENT AS SHOWN, OTHERWISE SAME AS FIG 1]

PACKAGE AS SHOWN  
 (SEE NOTE 6)

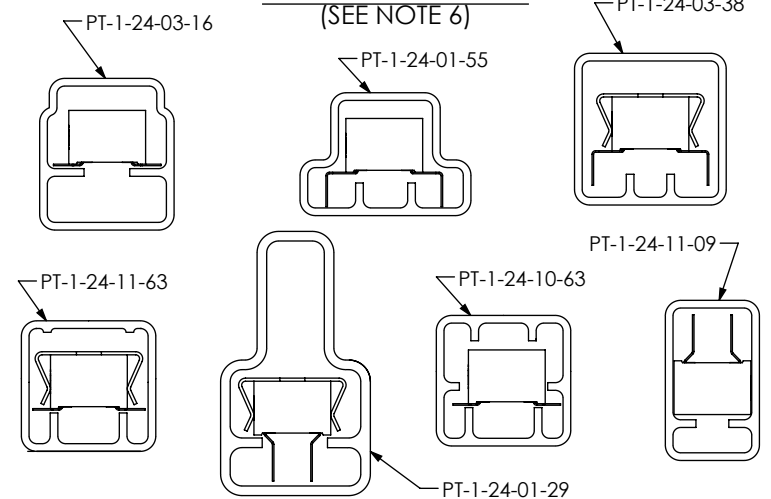


TABLE 2

STYLE	PKG TUBE	PLUG
-DV -A, -BE -A, -DV -LC, -BE -LC	PT-1-24-10-63	TP-24
-DV, -BE	PT-1-24-03-16	TP-24
-BE-P	PT-1-24-10-63	TP-24
-PE	PT-1-24-01-55	TP-24
-PE-P	PT-1-24-03-38	TP-03
-TE	PT-1-24-11-09	TP-09
-TE-P	PT-1-24-01-29	TP-03
-DV-P, -DV-P-A, -BE-P-A, -DV-P-LC, -BE-P-LC, -DV-K, -DV-K-LC, -BE-K, DV-A-K, BE-K-LC, -BE-A-K	PT-1-24-11-63	TP-09

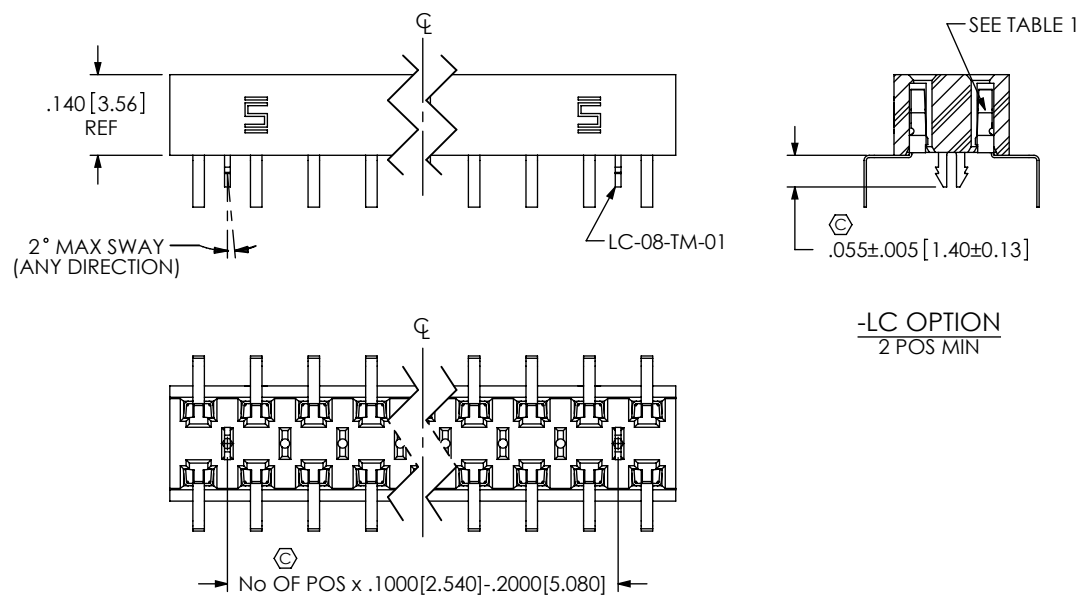


FIG 7  
 (-PE-LC: DUAL ENTRY WITH LOCKING CLIP OPTION)  
 [DIFFERENT AS SHOWN, OTHERWISE SAME AS FIG 3]

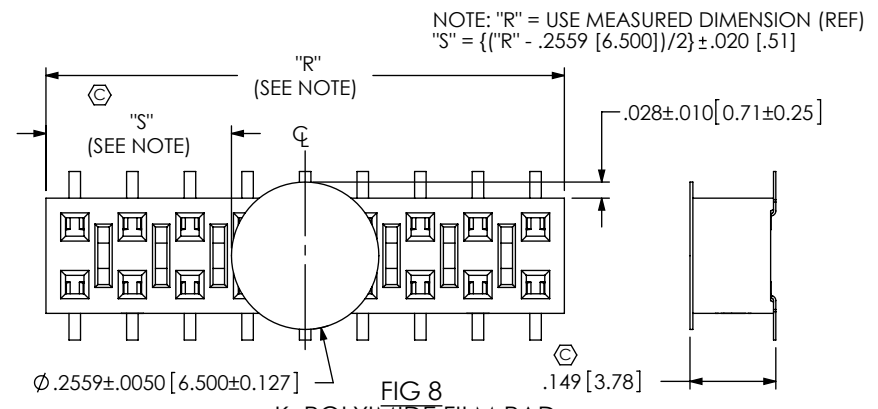


FIG 8  
 -K: POLYIMIDE FILM PAD  
 AVAILABLE ON POS 03 THRU 50 ONLY.

PROPRIETARY NOTE  
 THIS DOCUMENT CONTAINS INFORMATION  
 CONFIDENTIAL AND PROPRIETARY TO  
 SAMTEC, INC. AND SHALL NOT BE REPRODUCED  
 OR TRANSFERRED TO OTHER DOCUMENTS OR  
 DISCLOSED TO OTHERS OR USED FOR ANY  
 PURPOSE OTHER THAN THAT WHICH IT WAS  
 OBTAINED WITHOUT THE EXPRESSED WRITTEN  
 CONSENT OF SAMTEC, INC.

DO NOT SCALE DRAWING

SHEET SCALE: 3:1

520 PARK EAST BLVD, NEW ALBANY, IN 47150  
 PHONE: 812-944-6733 FAX: 812-948-5047  
 e-Mail info@SAMTEC.com code 55322

DESCRIPTION: SMA RIGHT ANGLE, JACK, 50 OHM

DWG. NO. CLH-1XX-XX-X-XX-X-XX

BY: ALVIN W 9/10/2010 SHEET 2 OF 2