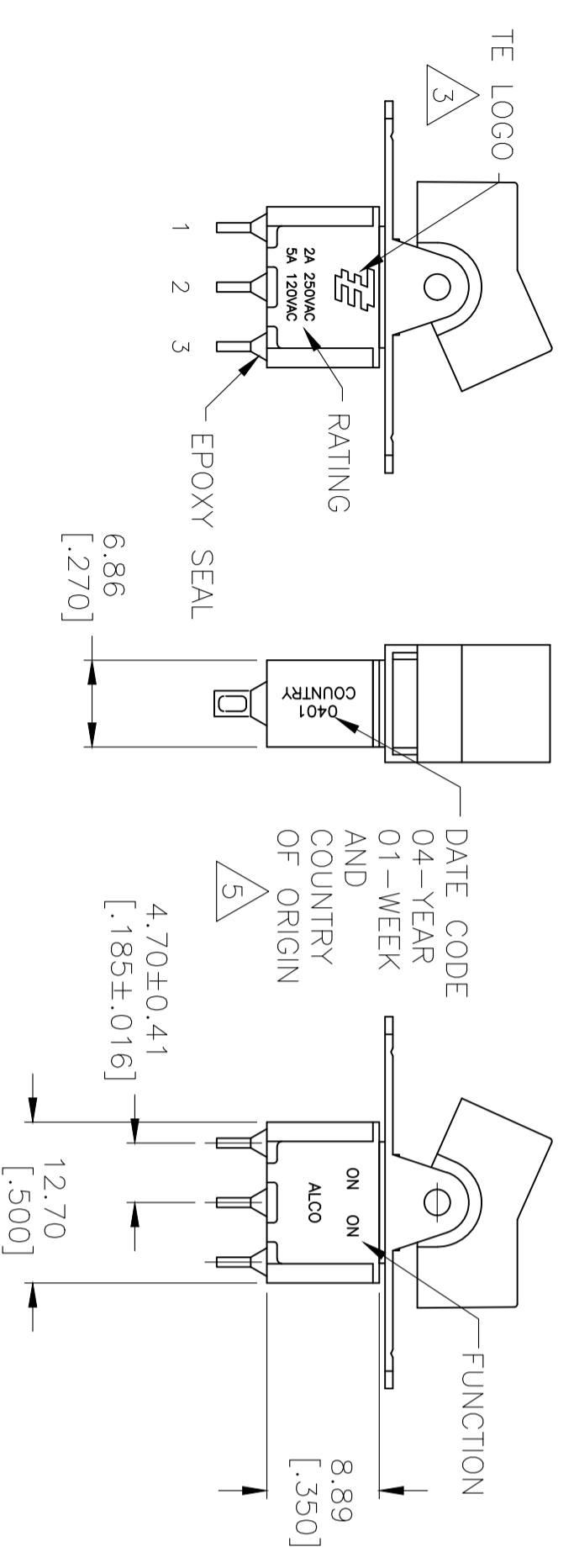


REVISIONS		DATE	DMN	APRD
P	LR	DESCRIPTION		
A12		REVISED PER ECO-17-001761	10MAY2017	RK AS



- ALL MATERIALS AND FINISHES SHALL COMPLY WITH EU DIRECTIVE 2002/95/EC OF 27JAN2003 (ROHS).
- G CONTACT OPTION CAN BE USED FOR SIGNAL OR POWER LEVEL SWITCHING. IF SWITCH IS USED AT LEVELS EXCEEDING .4VA @ 20V AC/DC, SWITCH IS RENDERED FOR POWER SWITCHING ONLY DUE TO ARC REMOVAL OF GOLD PLATING. RATING MARKED ON SWITCH IS 2A 250VAC, 5A 120VAC.
- TE CONNECTIVITY LOGO PER PER TEC-202-36.
- DATE CODE AND COUNTRY OF ORIGIN MAY APPEAR ON EITHER SIDE OF SWITCH.
- PANEL MOUNT BRACKET SUPPLIED WITH TERMINALS W, Z AND Z3 ONLY.
- ACTUATOR MARKED -
- ACTUATOR MARKED 0
- ACTUATOR MARKED -
- ALL LOGO, RATING, DATE CODE, AND FUNCTION MARKINGS TO BE LASER MARKED.
- OBsolete
- GRAY ACTUATOR WITH MODIFIED BRACKET (SUPPORT BRACKET TRIMMED PARALLEL TO THE PCB)

FUNCTION CHART			
FUNCTION			
01	ON	NONE	ON
03	ON	OFF	ON
05	(ON)	OFF	(ON)
07	ON	OFF	(ON)
08	ON	NONE	(ON)
TERMINALS CONNECTED	2-3	---	1-2

NONE: NO MECHANICAL POSITION
OFF: MECHANICAL POSITION WITH NO ELECTRICAL CONNECTION
(ON): MOMENTARY ACTION

PART NUMBER SEQUENCE CHART

MODEL	FUNCTION	ACTUATOR	TERMINAL	CONTACT	ACTUATOR COLOR	BEZEL COLOR	ROHS
A1	01	J1	A	B	0 BLACK (STD)	0 BLACK (STD)	04
	03	J3	AV2	G	1 BROWN	1 BROWN	
	05	J50	C	Q	2 RED	2 RED	
	07	J51	V3		3 ORANGE	3 ORANGE	
	08	J52	V4		4 YELLOW	4 YELLOW	
		J2	V6		5 GREEN	5 GREEN	
		J4	V7		6 BLUE	6 BLUE	
		J60	W		8 GRAY	8 GRAY	
		J61	W4		9 WHITE	9 WHITE	
		J62	Z				
			Z3				

SPECIFICATIONS

RATING, B CONTACTS	.4VA MAX @20V MAX. AC OR DC
RATING, G CONTACTS--SEE NOTE 2	.4VA MAX @20V MAX. AC OR DC OR 5A @120 VAC OR 28 VDC (RESISTIVE) 2A @250 VAC (RESISTIVE)
RATING, Q CONTACTS	5A @120 VAC OR 28 VDC (RESISTIVE) 2A @250 VAC (RESISTIVE)
ELECTRICAL LIFE	2A @250 VAC (RESISTIVE) 6,000 CYCLES AT RATED LOAD
CONTACT RESISTANCE	10 MILLIOHMS MAX INITIAL @ 2-4VDC, 100MA
INSULATION RESISTANCE	1,000 MEGOHMS MIN
DIELECTRIC WITHSTANDING VOLTAGE	1,000 V RMS AT SEA LEVEL
OPERATING TEMPRATURE	-30C TO 85C

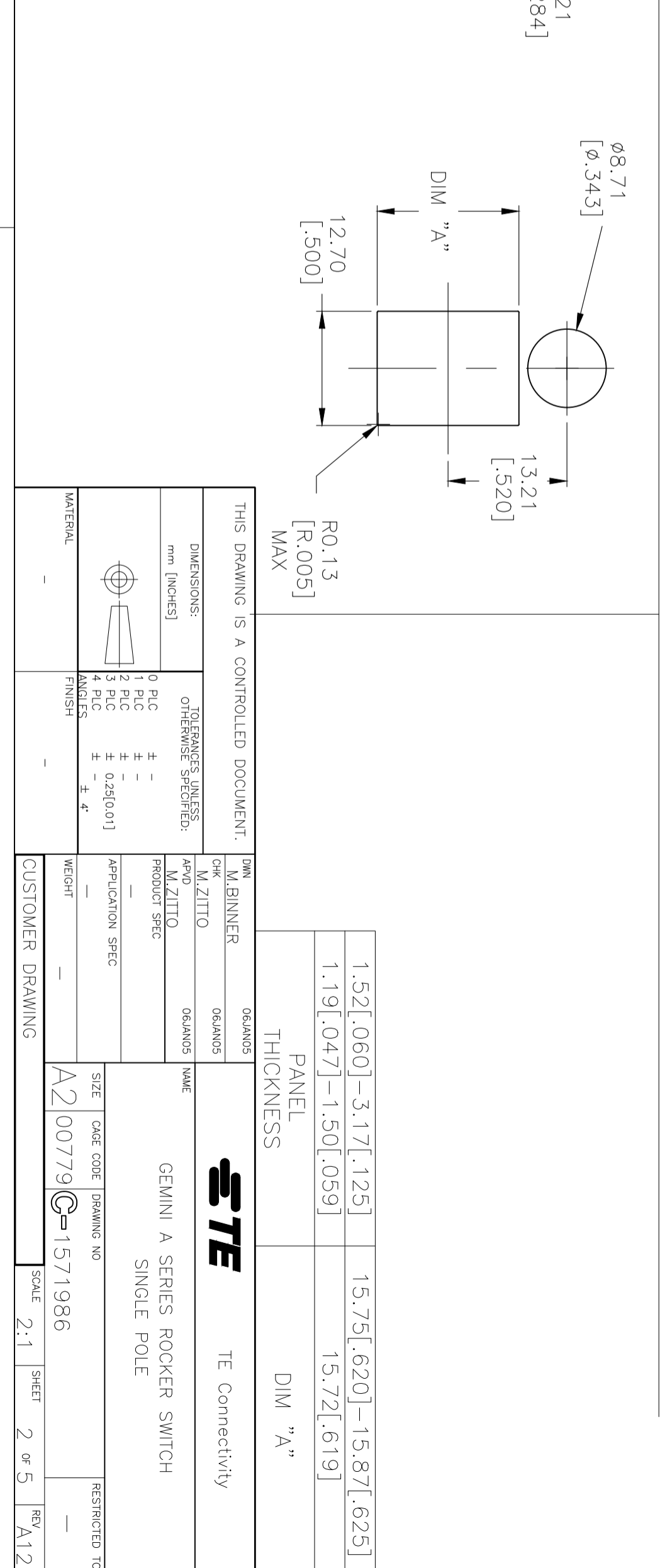
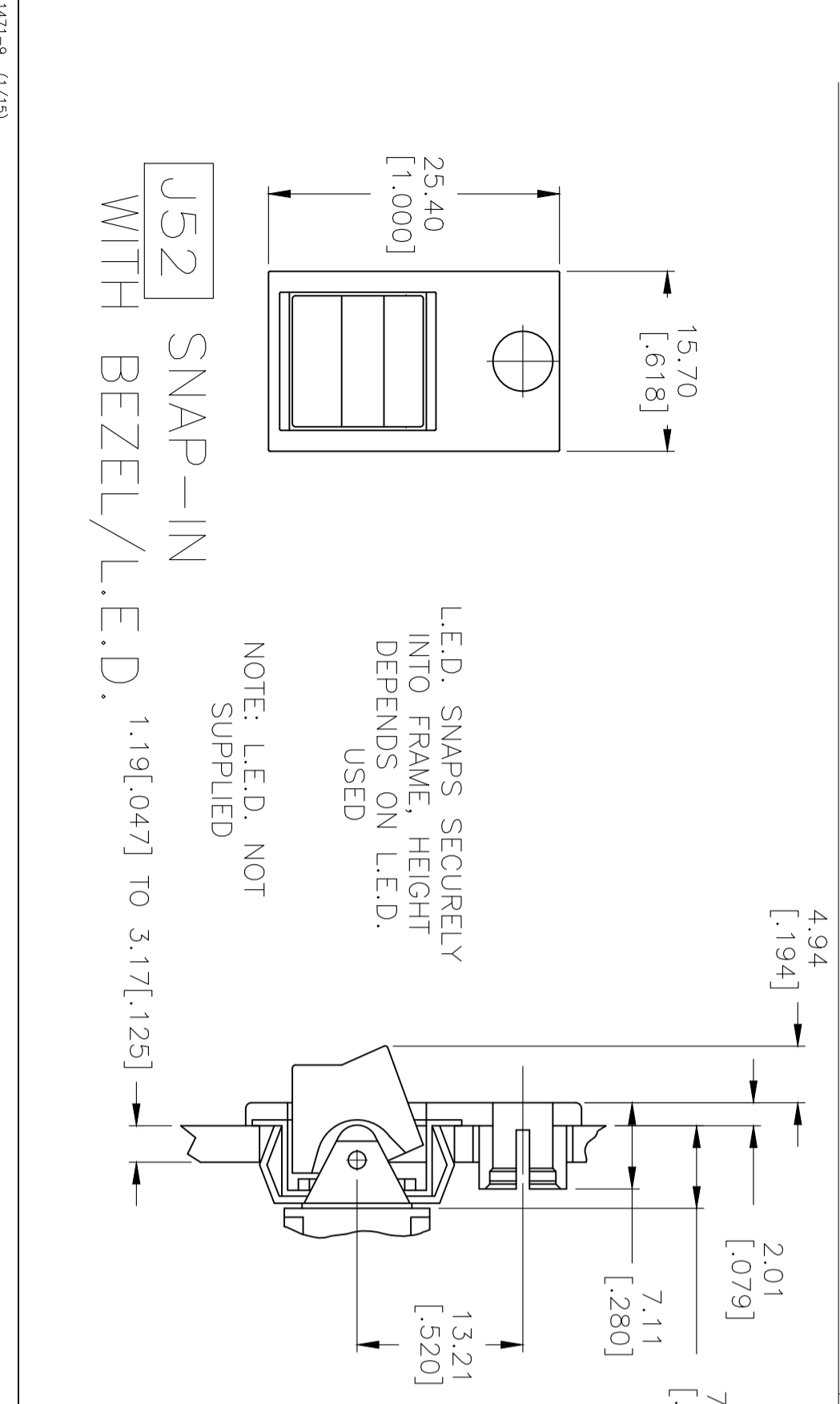
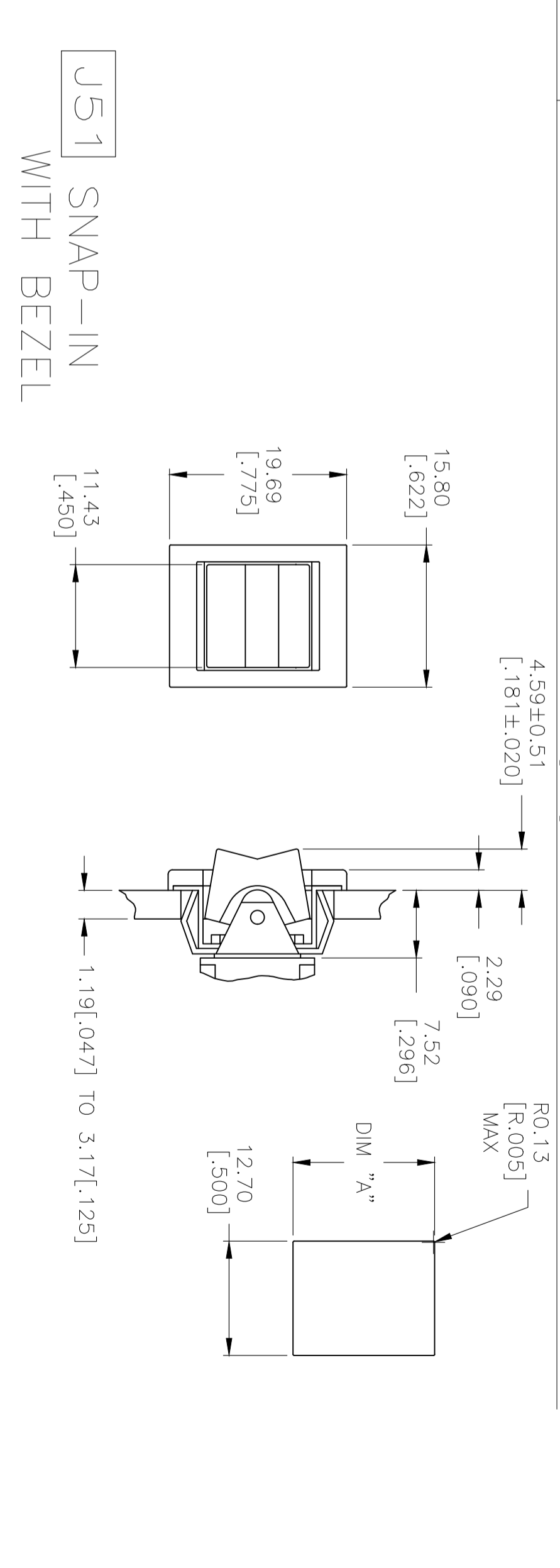
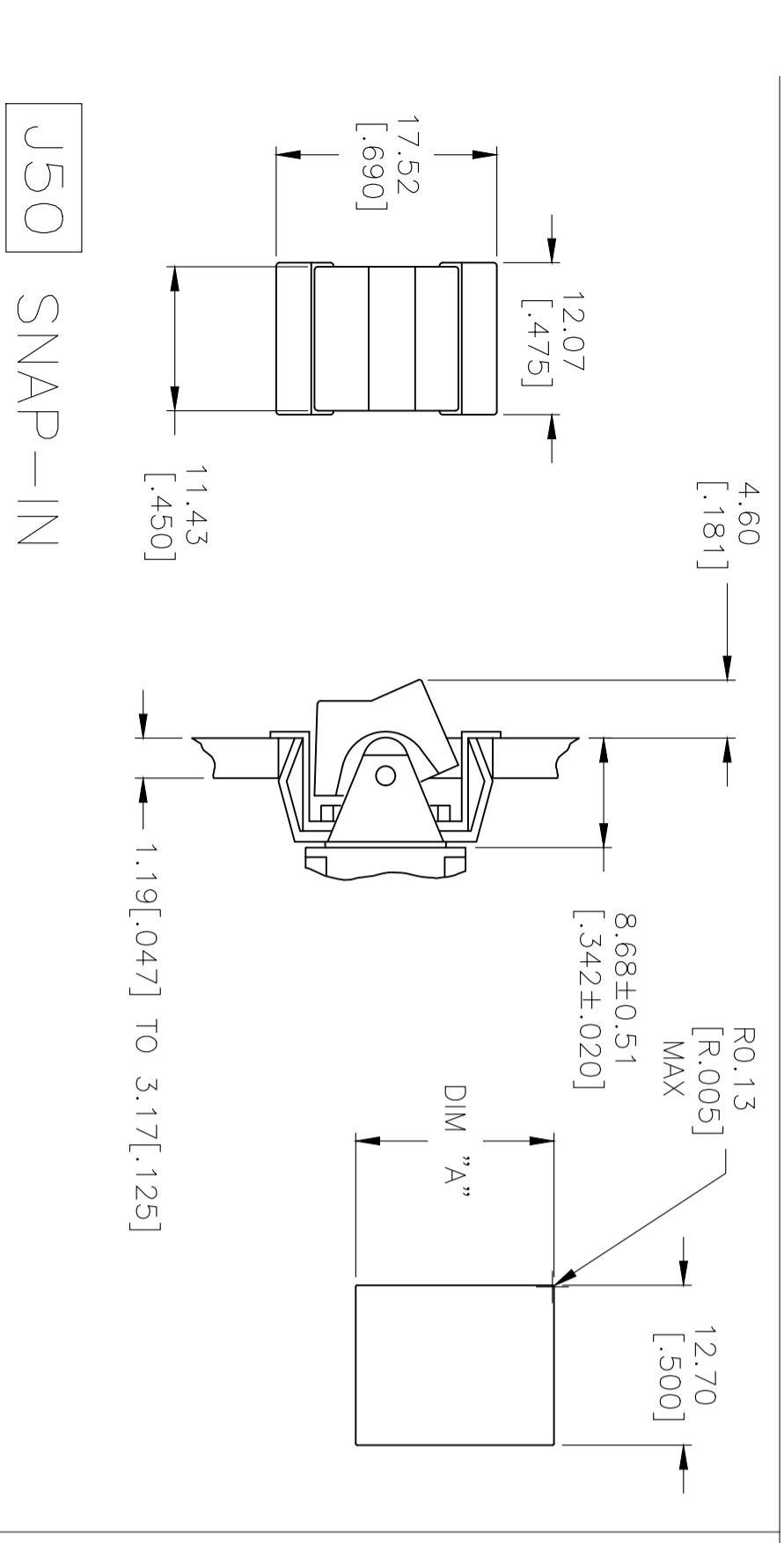
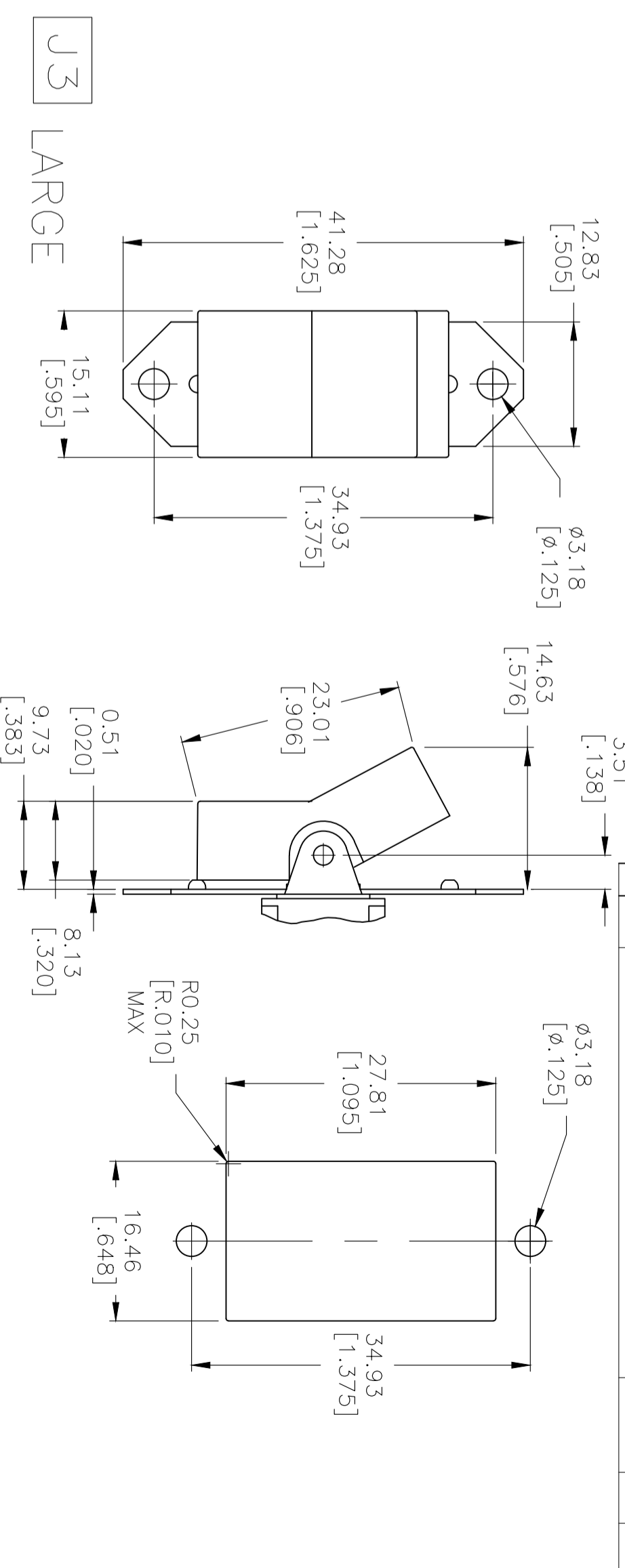
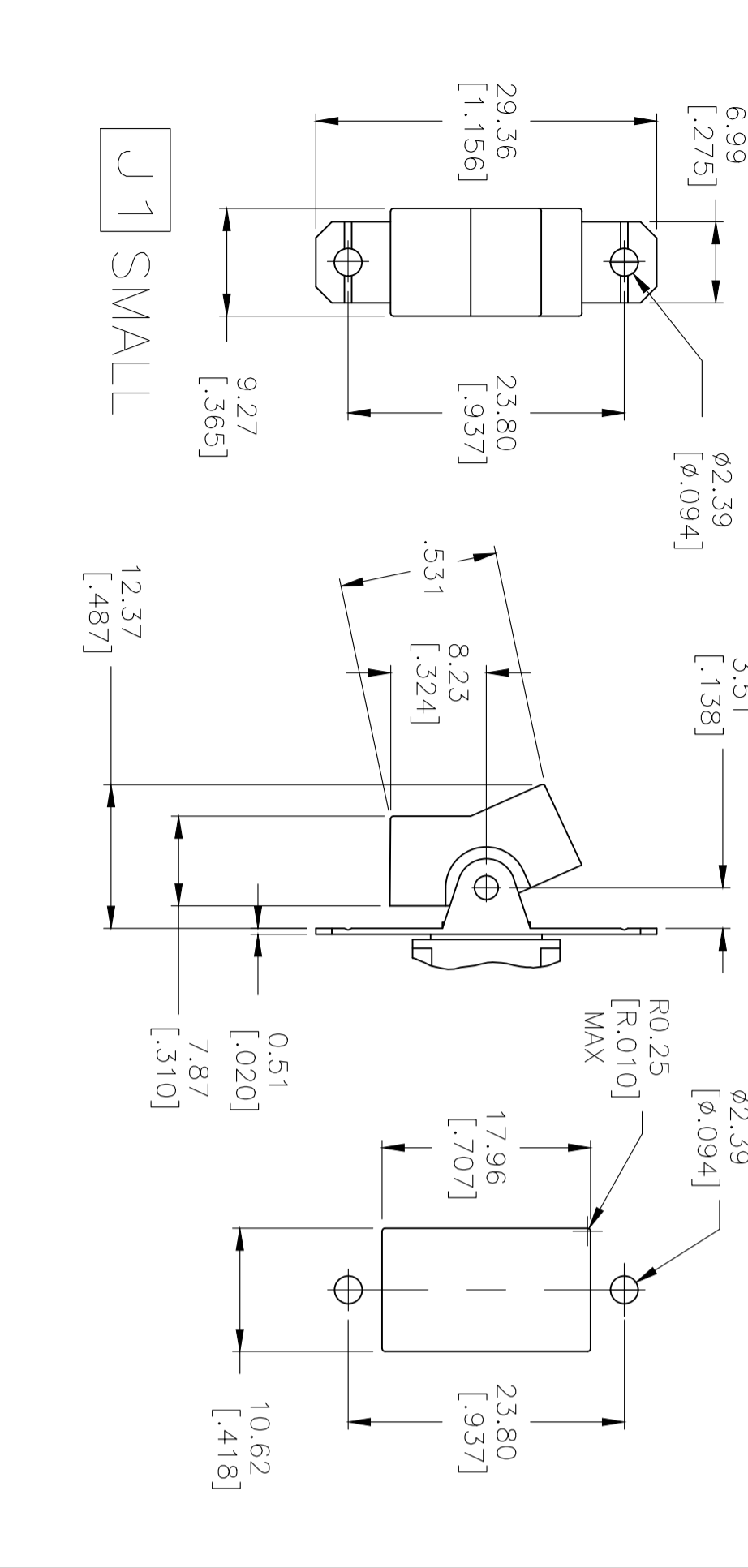
THIS DRAWING IS A CONTROLLED DOCUMENT.

DMN	06JAN05	TE Connectivity
M.BINNER	06JAN05	
CHK	M.ZITTO	
APVD	M.ZITTO	
PRODUCT SPEC	06JAN05	
APPLICATION SPEC		
WEIGHT		
CUSTOMER DRAWING		

SIZE: A2
CAGE CODE: 00779
DRAWING NO: 1571986
SCALE: 2:1
SHEET: 1 of 5
REV: A12

STE TE Connectivity
GEMINI A SERIES ROCKER SWITCH
SINGLE POLE

REVISIONS		DATE	DMN	APPD
P	LTR	DESCRIPTION		
-	-	SEE SHEET 1	-	-



L.E.D. SNAPS SECURELY INTO FRAME, HEIGHT DEPENDS ON L.E.D. USED

NOTE: L.E.D. NOT SUPPLIED

THIS DRAWING IS A CONTROLLED DOCUMENT.

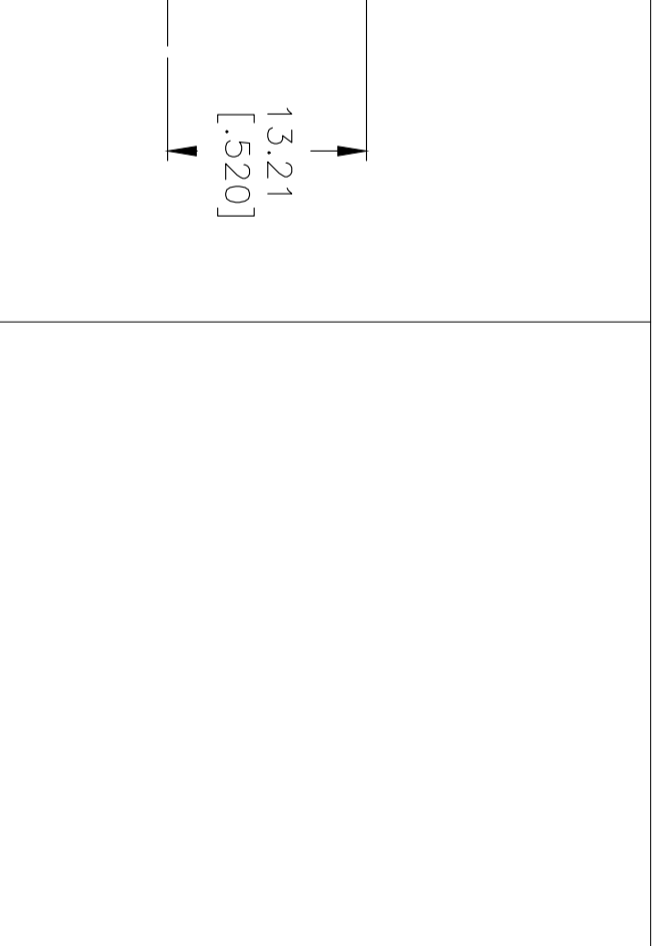
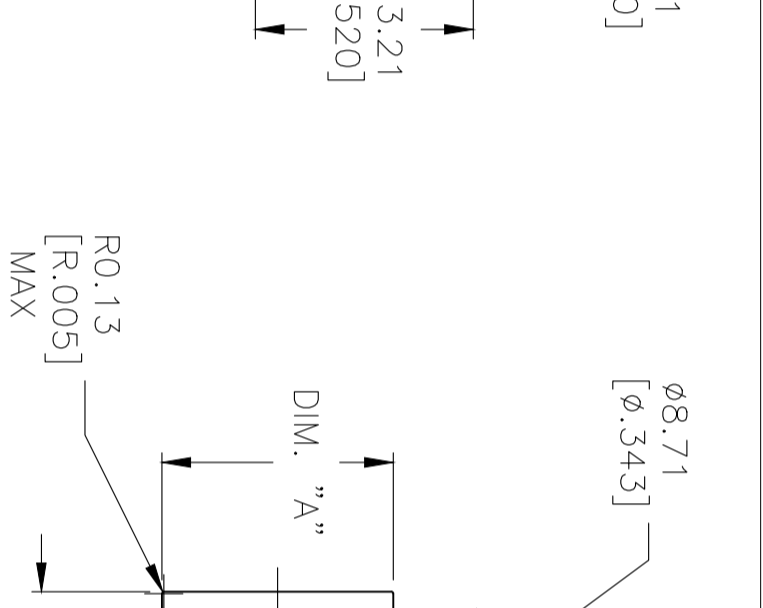
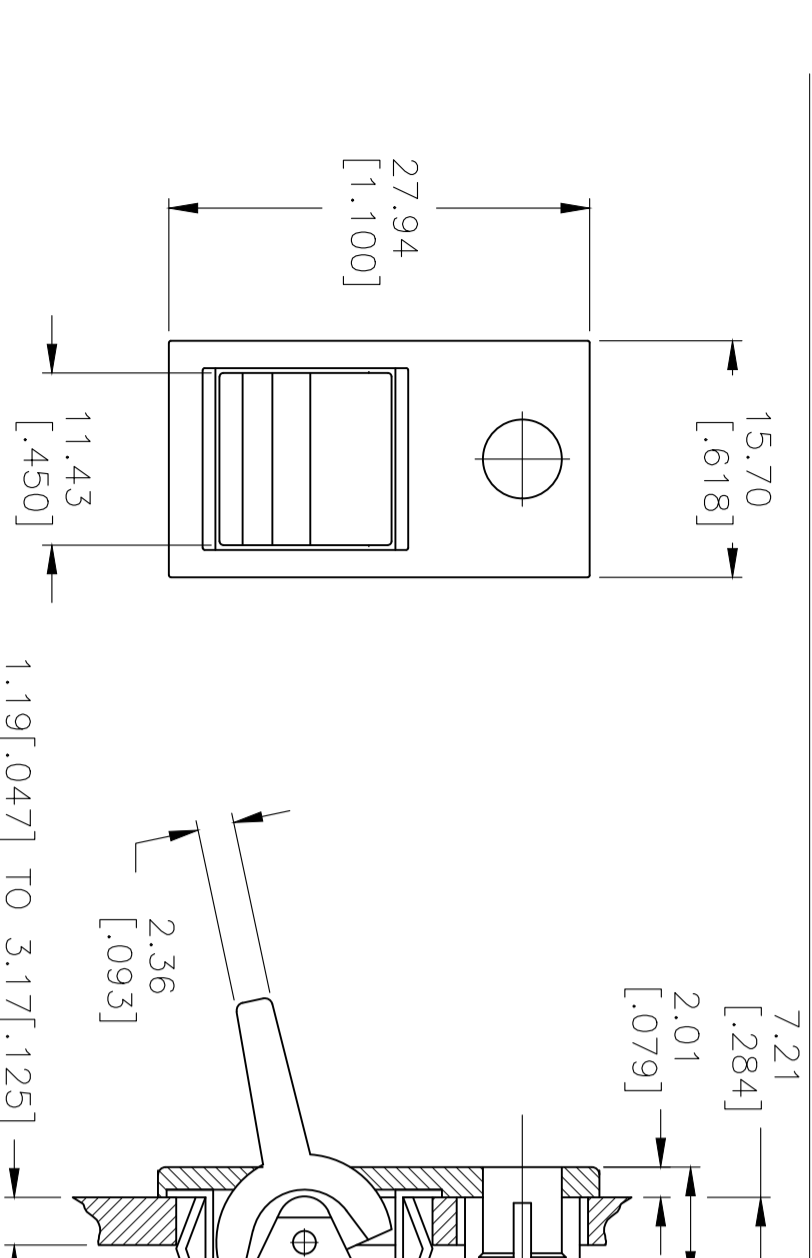
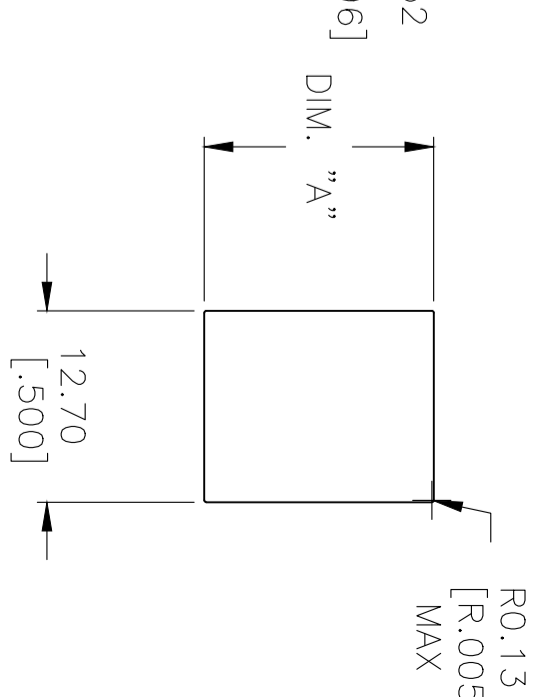
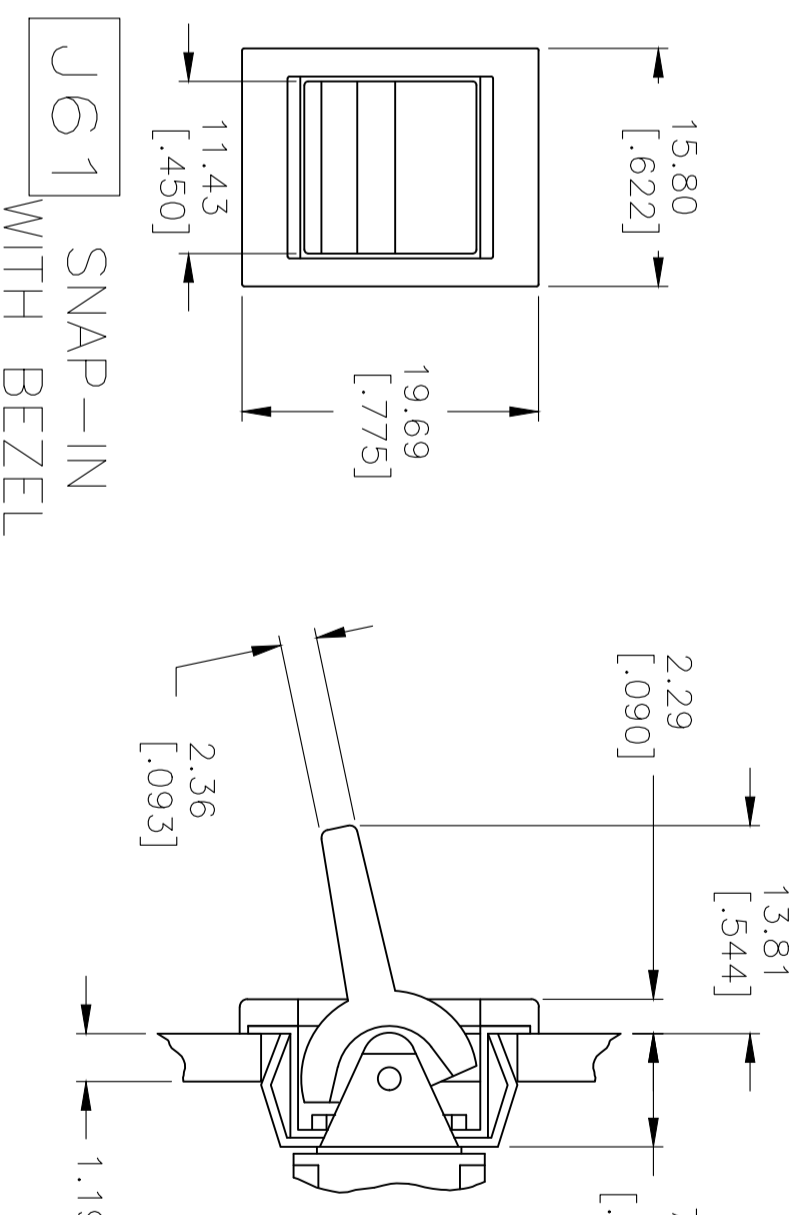
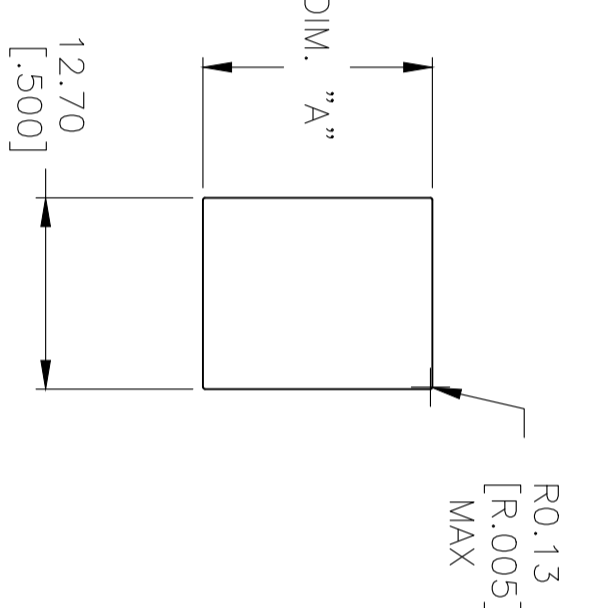
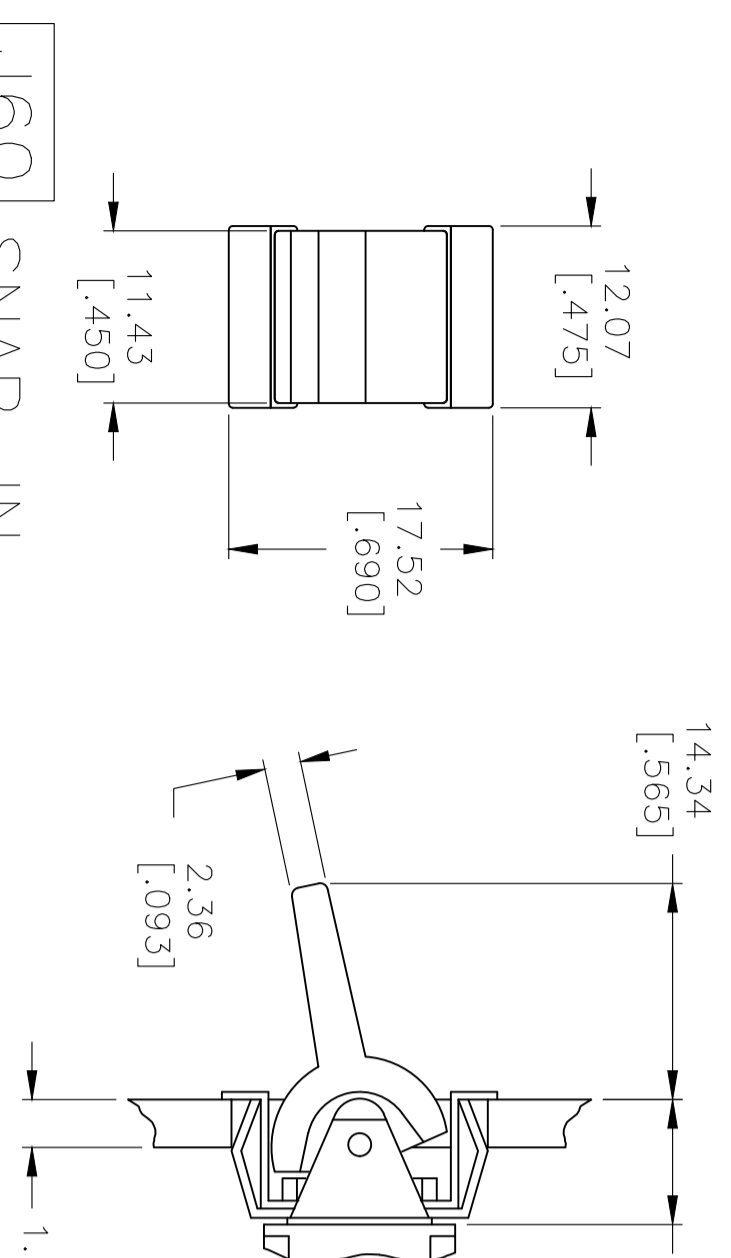
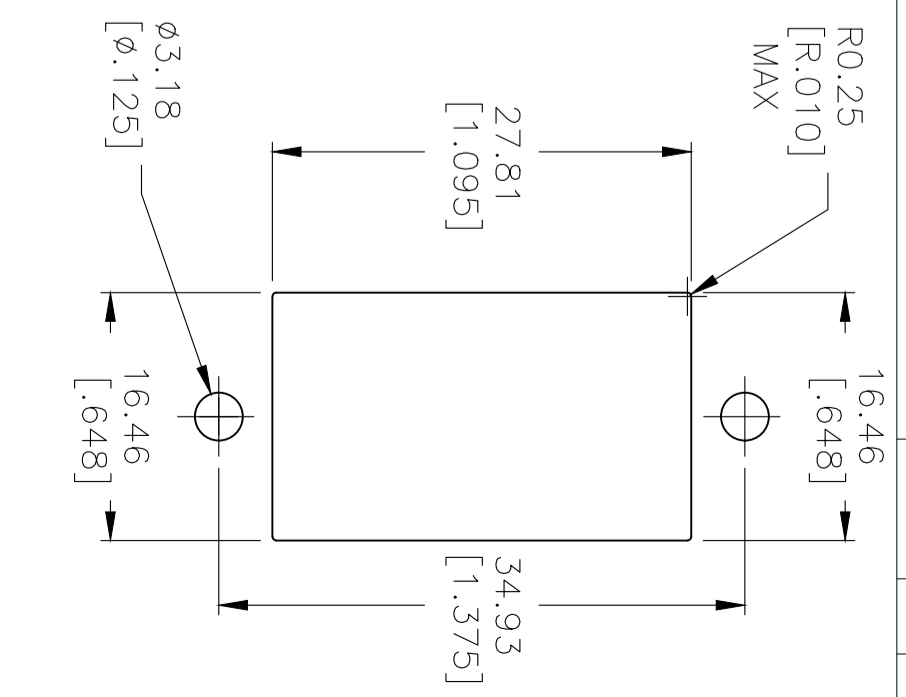
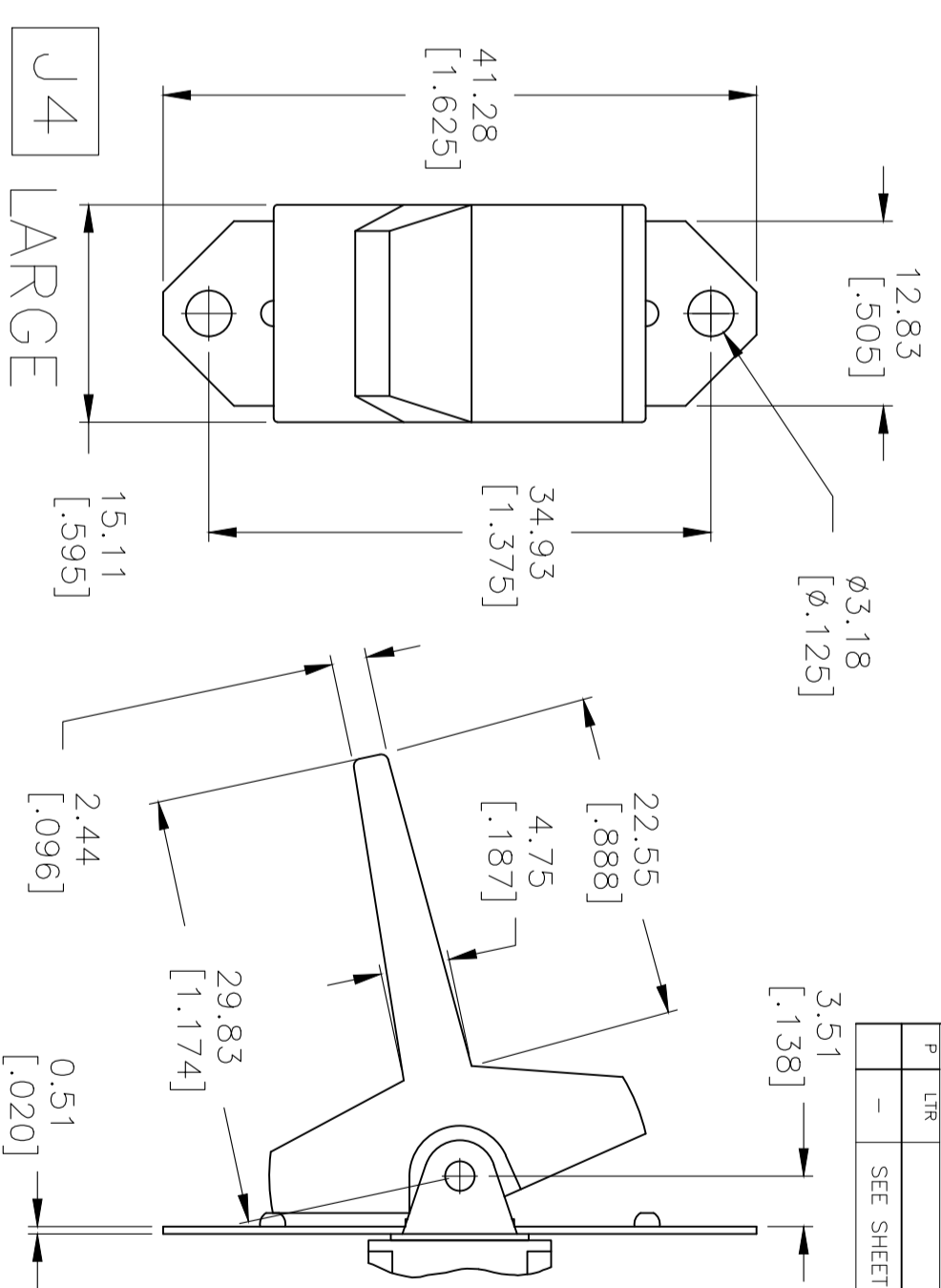
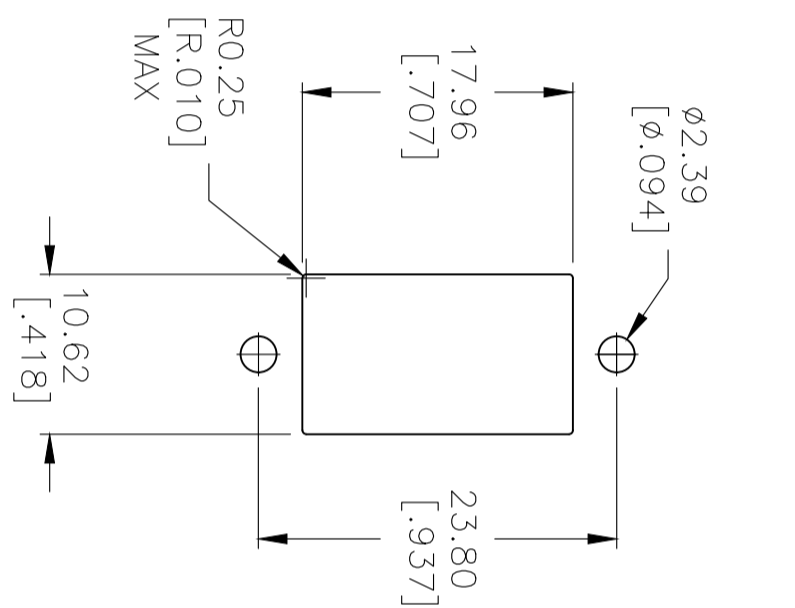
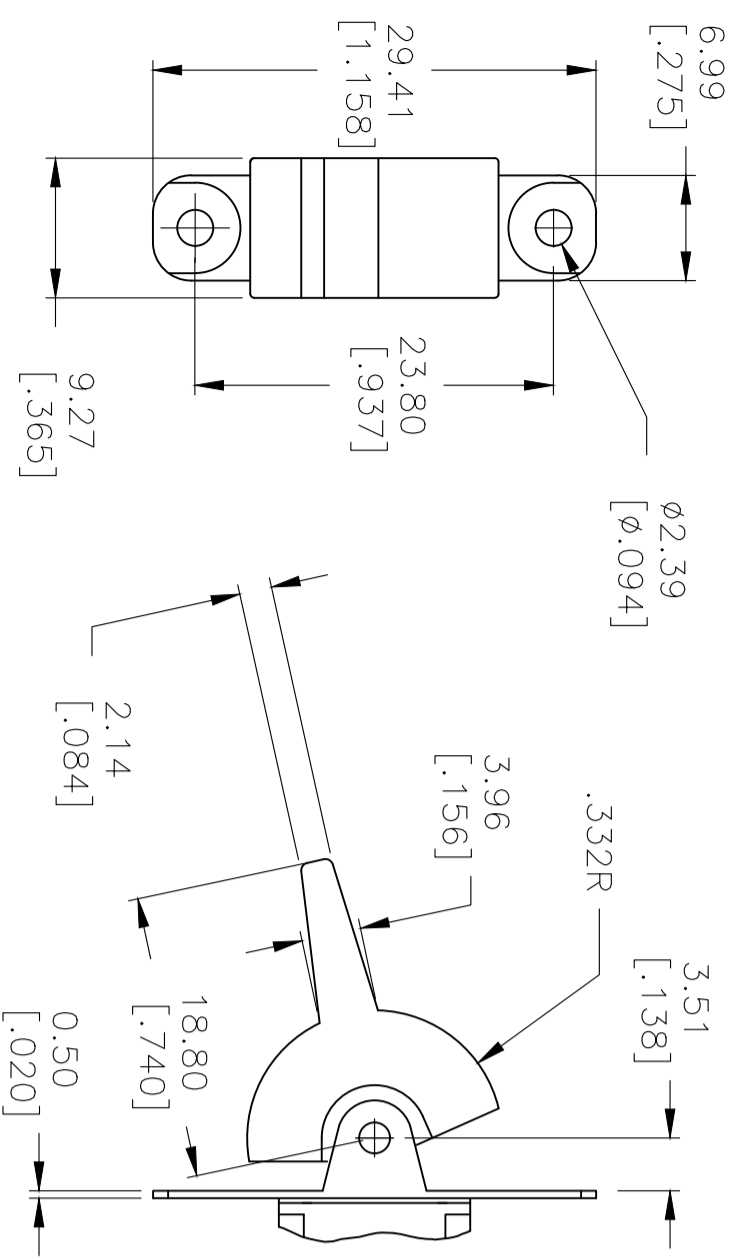
DMN	06JAN05	TE Connectivity
M.BINNER	06JAN05	
CHK	M.ZITTO	
APVD	M.ZITTO	
PRODUCT SPEC		
APPLICATION SPEC		
WEIGHT		
CUSTOMER DRAWING		

STE

GEMINI A SERIES ROCKER SWITCH SINGLE POLE

PANEL THICKNESS DIM "A"

REVISIONS		DATE	DMN	APP'D
P	LTR	DESCRIPTION		
-	-	SEE SHEET 1	-	-



DIMENSIONS:		TOLERANCES UNLESS OTHERWISE SPECIFIED:	
mm	(INCHES)	mm	(INCHES)
0	PLC	±	-
1	PLC	±	-
2	PLC	±	-
3	PLC	±	0.25(0.01)
4	PLC	±	0.25(0.01)
FINISH		-	

THIS DRAWING IS A CONTROLLED DOCUMENT.	
DMN	06JAN05
M.BINNER	06JAN05
CHK	M.ZITTO
APP'D	M.ZITTO
PRODUCT SPEC	06JAN05
APPLICATION SPEC	
WEIGHT	
CUSTOMER DRAWING	

STE TE Connectivity
GEMINI A SERIES ROCKER SWITCH
SINGLE POLE

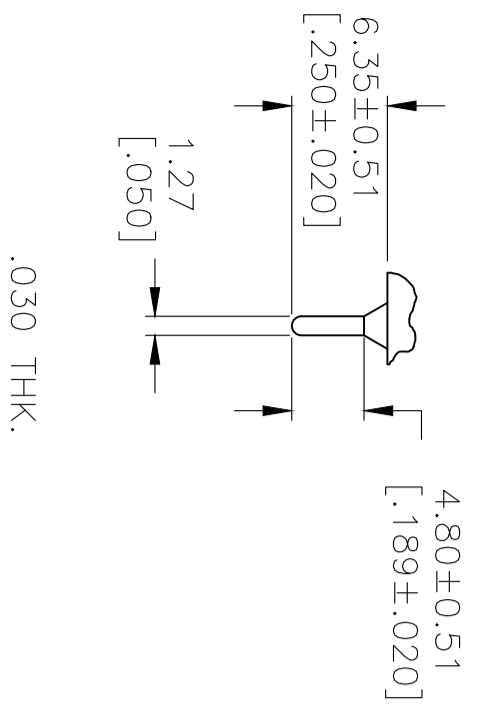
J62 SNAP-IN WITH BEZEL/LED.
NOTE: LED NOT SUPPLIED

SIZE	CAGE CODE	DRAWING NO	RESTRICTED TO
A2	00779	1571986	-

REVISONS	DESCRIPTION	DATE	DWG	APPD
P	LTR			
-	SEE SHEET 1			

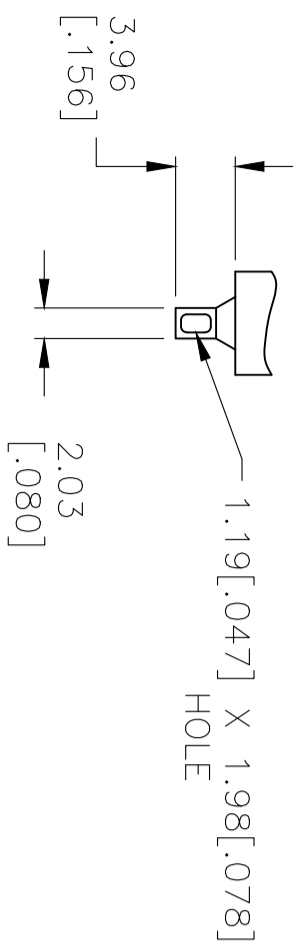
COMPONENT NAME	BASE MATERIAL	FINISH
CASE	DAP, 30-40% GF, RED, UL94 V-0, COSMIC D72/6120F	
FRAME	304 STAINLESS STEEL	
B TERMINALS & CONTACTS	C194 COPPER	GOLD OVER NICKEL
G TERMINALS & CONTACTS	C194 COPPER	GOLD OVER SILVER
Q TERMINALS & CONTACTS	C194 COPPER	SILVER
ACTUATOR	PHENOLIC, BLACK, UL94 V-1	
ROCKER CAP	NYLON, BLACK, UL94 V-1, NYTEX MG-2012N	
BUSHING & ACTUATOR LEVER	ZINC ALLOY K2	.000100-.000150 NICKEL
SPRING	MUSIC WIRE	
SUPPORT BRACKET	C2680H BRASS	TIN
PIVOT PIN	STEEL	NICKEL
TERMINAL SEAL	EPOXY, UL94 V-1, BOOM HOUSE S-9001A	

PRINTED CIRCUIT

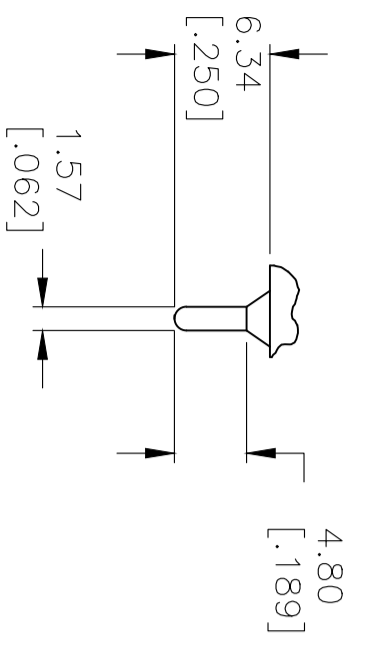


OPTION	DIM A
W	18.69 [.736]
W4	26.97 [1.062]

W W4 WIRE WRAP



Z WIRE LUG



Z3 QUICK CONNECT

MATERIALS CHART

△△	A101J1AV2Q004AM9	7-1571986-4		
△△	A101J1AV2Q004AM8	7-1571986-3		
△△	A101J1AV2Q004AM	7-1571986-2		
△△	A108J61ZQ0004	7-1571986-0		
△△	A108J51ZQ0004	6-1571986-9		
△△	A108J1ZQ004	6-1571986-8		
△△	A107J61ZQ0004	6-1571986-7		
△△	A107J51ZQ0004	6-1571986-6		
△△	A107J42ZQ004	6-1571986-5		
△△	A105J61ZG0004	6-1571986-4		
△△	A105J51ZG0004	6-1571986-3		
△△	A105J42ZQ004	6-1571986-2		
△△	A105J3CQ2004	6-1571986-1		
△△	A105J2ZQ004	6-1571986-0		
△△	A105J1ZQ004	5-1571986-9		
△△	A105J3CQ2004	5-1571986-8		
△△	A105J2ZQ004	5-1571986-7		
△△	A105J1ZQ004	5-1571986-6		
△△	A105J2AV2Q004	5-1571986-5		
△△	A105J2AQ004	5-1571986-4		
△△	A105J1ZQ004	5-1571986-3		
△△	A105J1V3B004	5-1571986-2		
△△	A105J1CQ004	5-1571986-1		

THIS DRAWING IS A CONTROLLED DOCUMENT.

DWG	06JAN05	NAME	GEMINI A SERIES ROCKER SWITCH
CHK	M.BINNER	SIZE	A2
APVD	M.ZITTO	CAGE CODE	00779
PRODUCT SPEC		DRAWING NO	1571986
APPLICATION SPEC		SCALE	2:1
WEIGHT		SHEET	5 OF 5
CUSTOMER DRAWING		RESTRICTED TO	

STE TE Connectivity