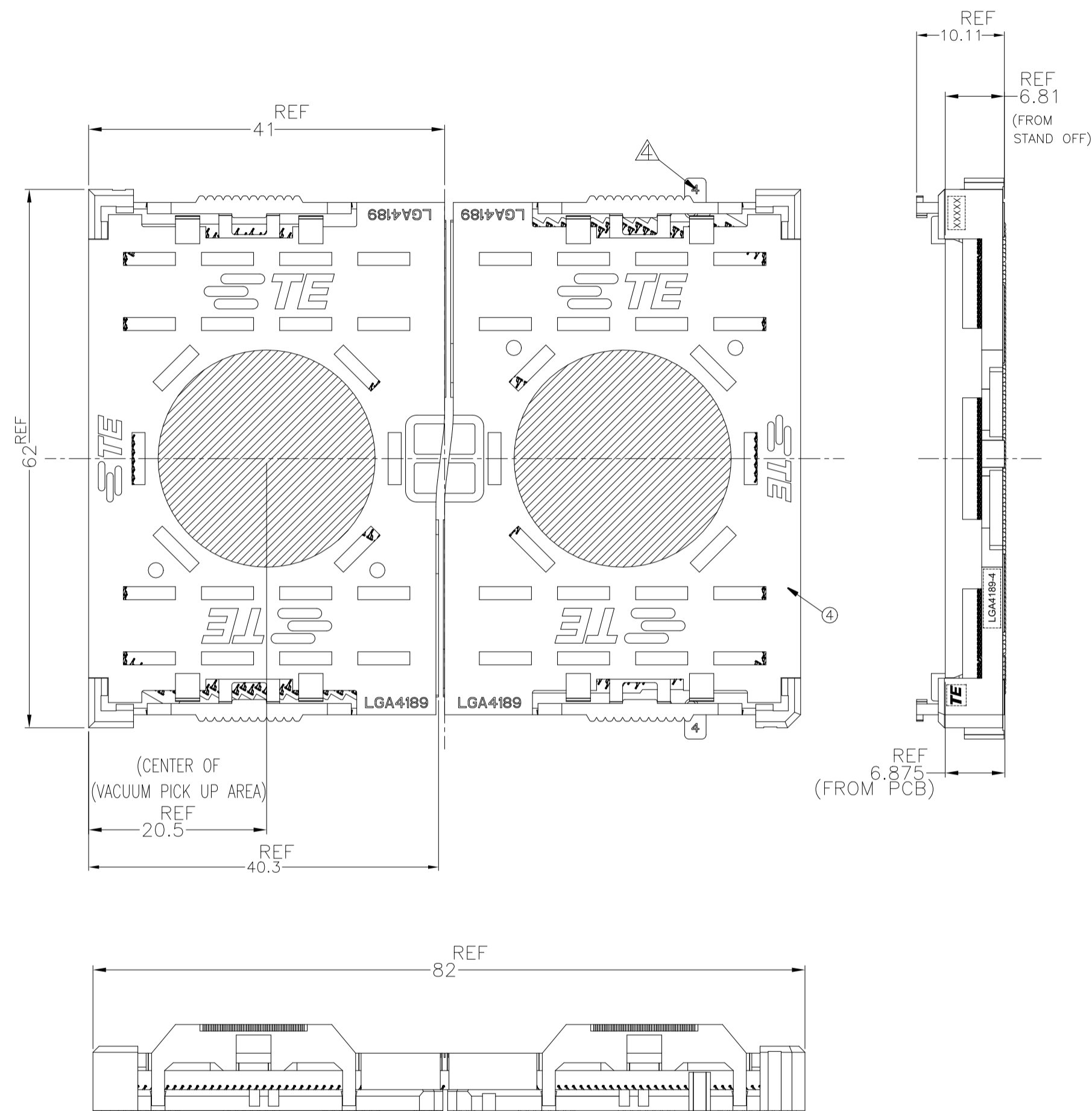


LOC	DIST	REVISIONS					
		P	LTR	DESCRIPTION	DATE	DWN	APVD
ES	-	A		RELEASE DRAWING	31OCT2019	G.L	S.L

1. MATERIAL
- ① HOUSING : HIGH TEMP, THERMO-PLASTIC, UL94V-0, BLACK
  - ② CONTACT : COPPER ALLOY  
FINISH : Au PL. SHOW AS  $\Delta$  AT CONTACT AREA  
ON OVERALL OVER Ni UNDER PL. 0.00127 MIN.
  - ③ SOLDER BALL : Sn/Ag/Cu
  - ④ CAP : HIGH TEMP. THERMO-PLASTIC, UL94V-0, NATURAL
- $\Delta$  INDICATED DATE CODE , TYCO LOGO, PRODUCT NAME ON THE HSG  
 $\Delta$  FOR NORMAL ORDER, LEFT AND RIGHT SEGMENT SHOULD ORDER AT SAME TIME  
 $\Delta$  THE NUMBER INDICATED SOCKET NAME,"4" FOR SOCKET P4,"5" FOR SOCKET P5.  
 $\Delta$  THE PAD SIZE IS FOR REFERENCE,CUSTOMER CAN FOLLOW INTEL INSTRUNCTION TO DESIGN  
 $\Delta$  THESE DIMENSIONS FOR BACK PLATE SCREW HOLE.



AFTER SMT CONDITION (WITH CAP)  
 DEMONSTRATION BY SOCKET P4,LGA4189-4

	30u" AU PLATING		15u" AU PLATING		DESCRIPTION
	LGA4189-4 SOCKET P4	LGA4189-5 SOCKET P5	LGA4189-4 SOCKET P4	LGA4189-5 SOCKET P5	
LGA4189-4 RIGHT SEGMENT					
LGA4189-4 LEFT SEGMENT					
LGA4189-5 RIGHT SEGMENT					
LGA4189-5 LEFT SEGMENT					
LGA4189-4 RIGHT SEGMENT					
LGA4189-4 LEFT SEGMENT					
LGA4189-5 RIGHT SEGMENT					
LGA4189-5 LEFT SEGMENT					
	1				1-2324271-1
		1			1-2324271-2
			1		1-2324271-5
				1	1-2324271-6
			1		1-2324271-3
				1	1-2324271-4
				1	1-2324271-7
				1	1-2324271-8
PRODUCT WEIGHT (g/SOCKET)	QUANTITY PER UNIT				PACKAGE P/N

THIS DRAWING IS A CONTROLLED DOCUMENT.		DWN	23AUG2017	TE Connectivity	NAME SOCKET ASSY LGA4189-X
DIMENSIONS: mm		CHK	23AUG2017		
TOLERANCES UNLESS OTHERWISE SPECIFIED:		APVD	23AUG2017		
0-PLC $\pm$ 1-PLC $\pm 0.3$ 2-PLC $\pm$ 3-PLC $\pm 3$ 4-PLC $\pm$ ANGLES $\pm$		PRODUCT SPEC	108-115149		
MATERIAL		APPLICATION SPEC	114-115011	SIZE	A2
		FINISH		CAGE CODE	00779
				DRAWING NO	G-2324271
				RESTRICTED TO	-
				CUSTOMER DRAWING	
				SCALE	NTS
				SHEET	1 OF 7
				REV	A



LOC	DIST	REVISIONS			
P	LTR	DESCRIPTION	DATE	DWN	APVD
ES	-	SEE SHEET 1	-	-	-

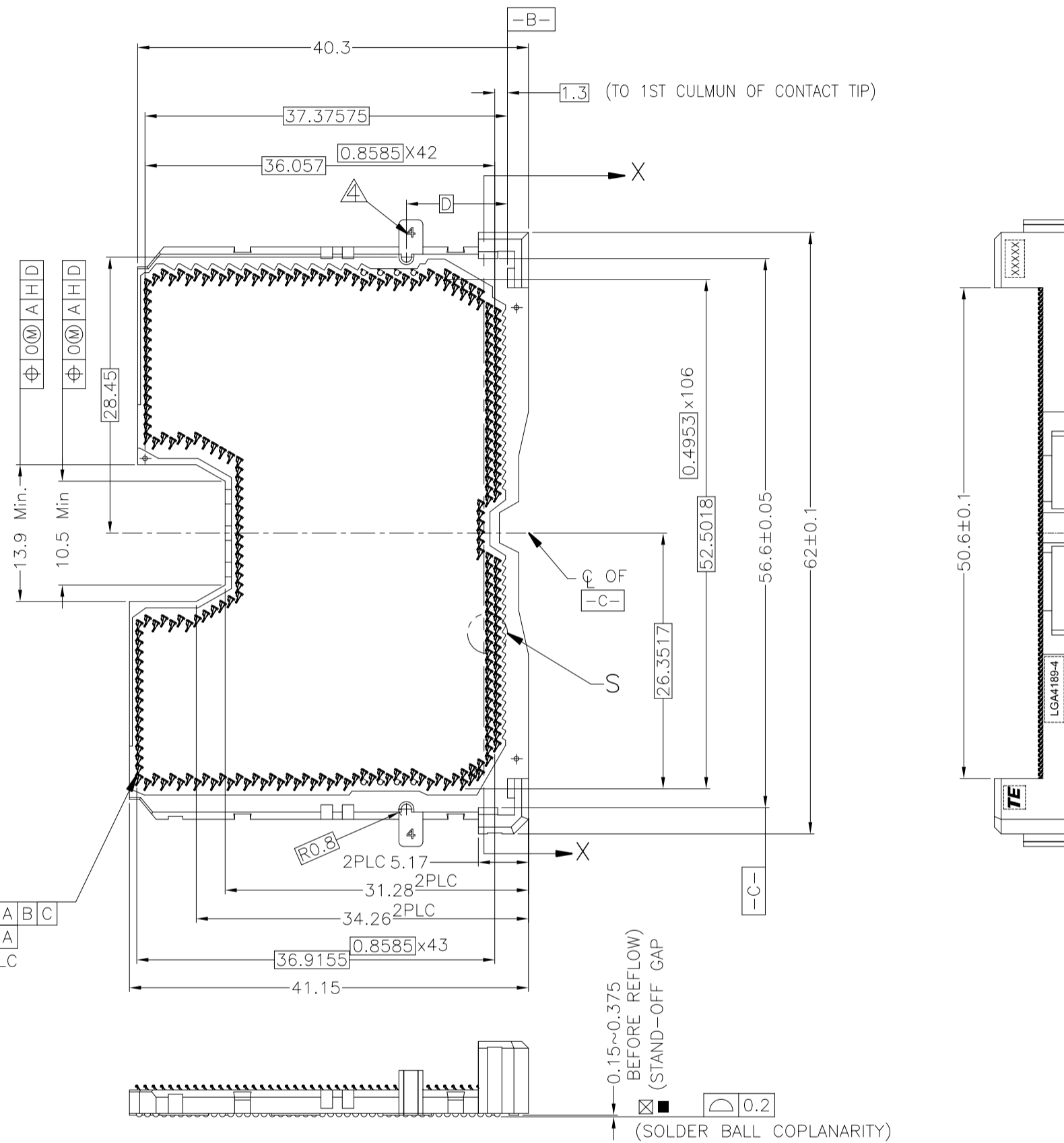
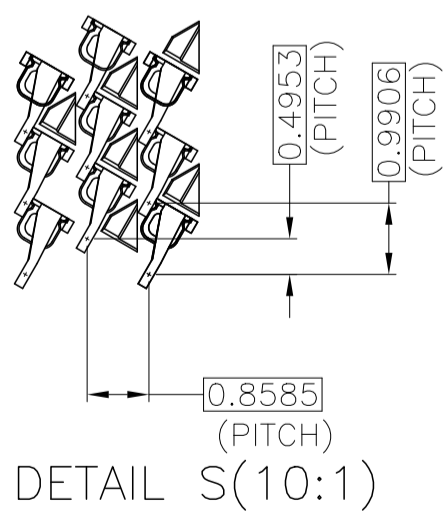
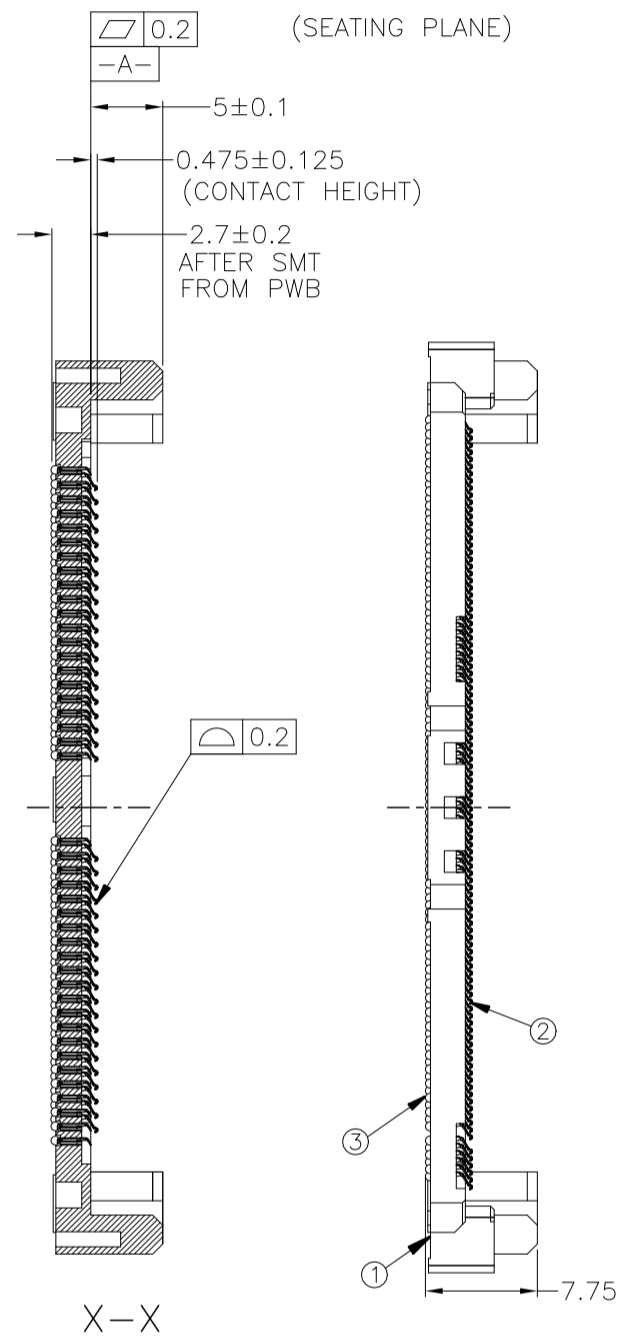
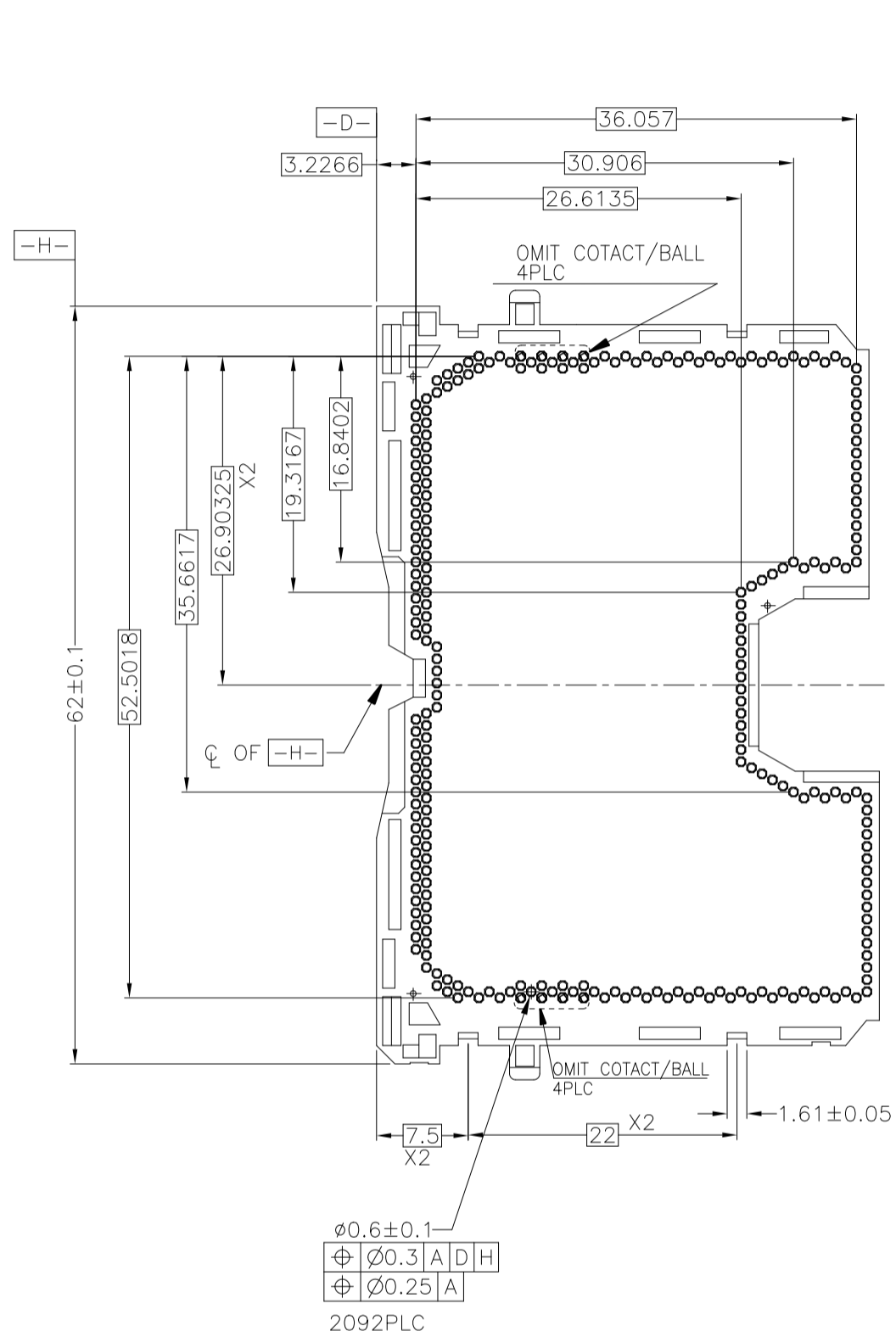


TABLE FOR P4/P5 KEY LOCATION

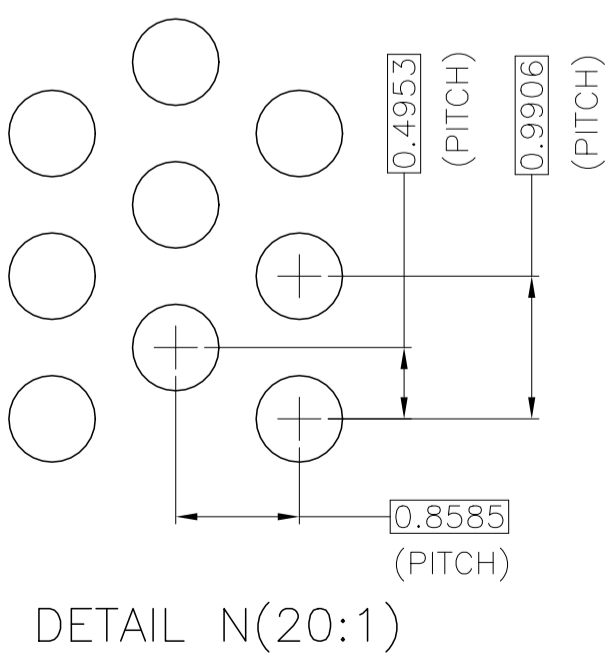
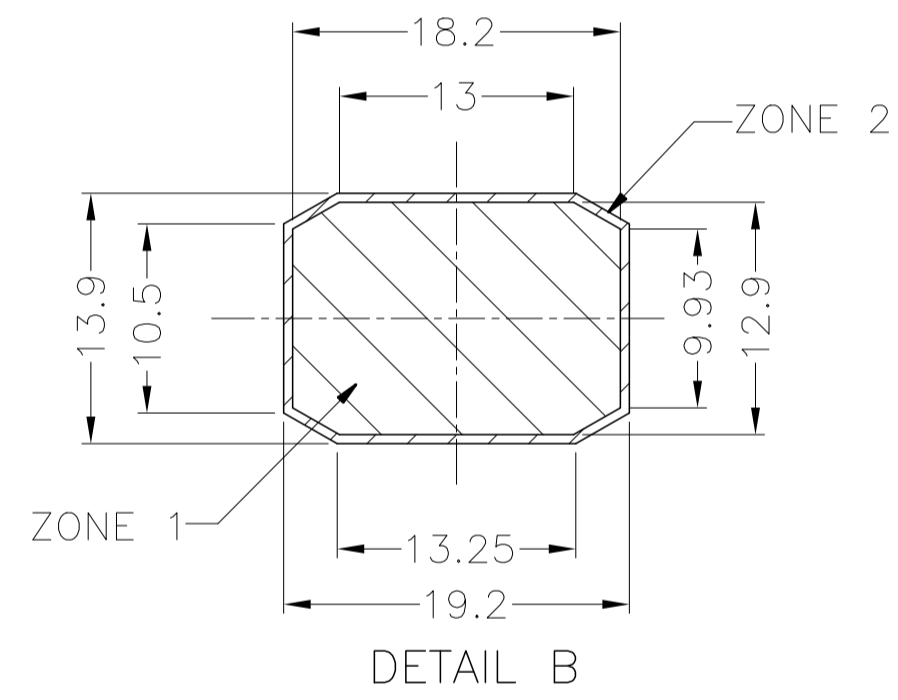
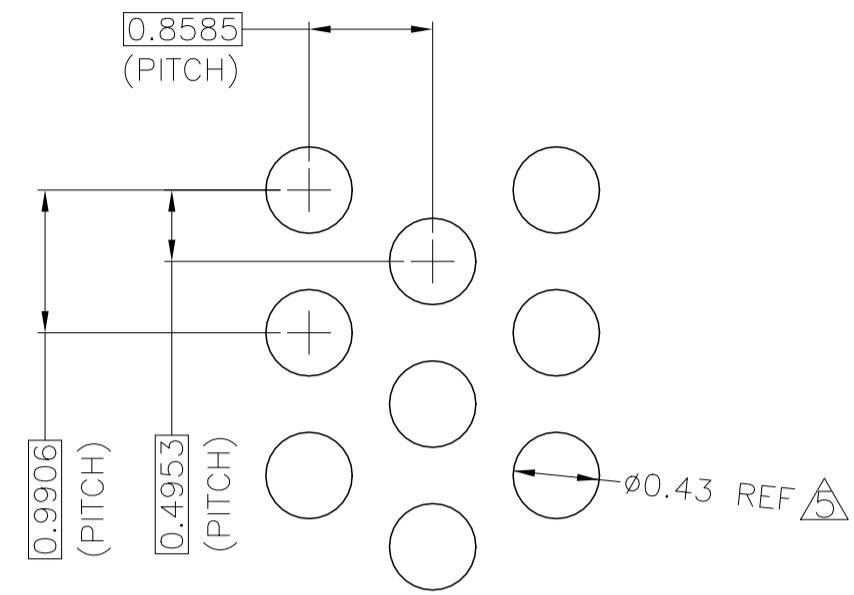
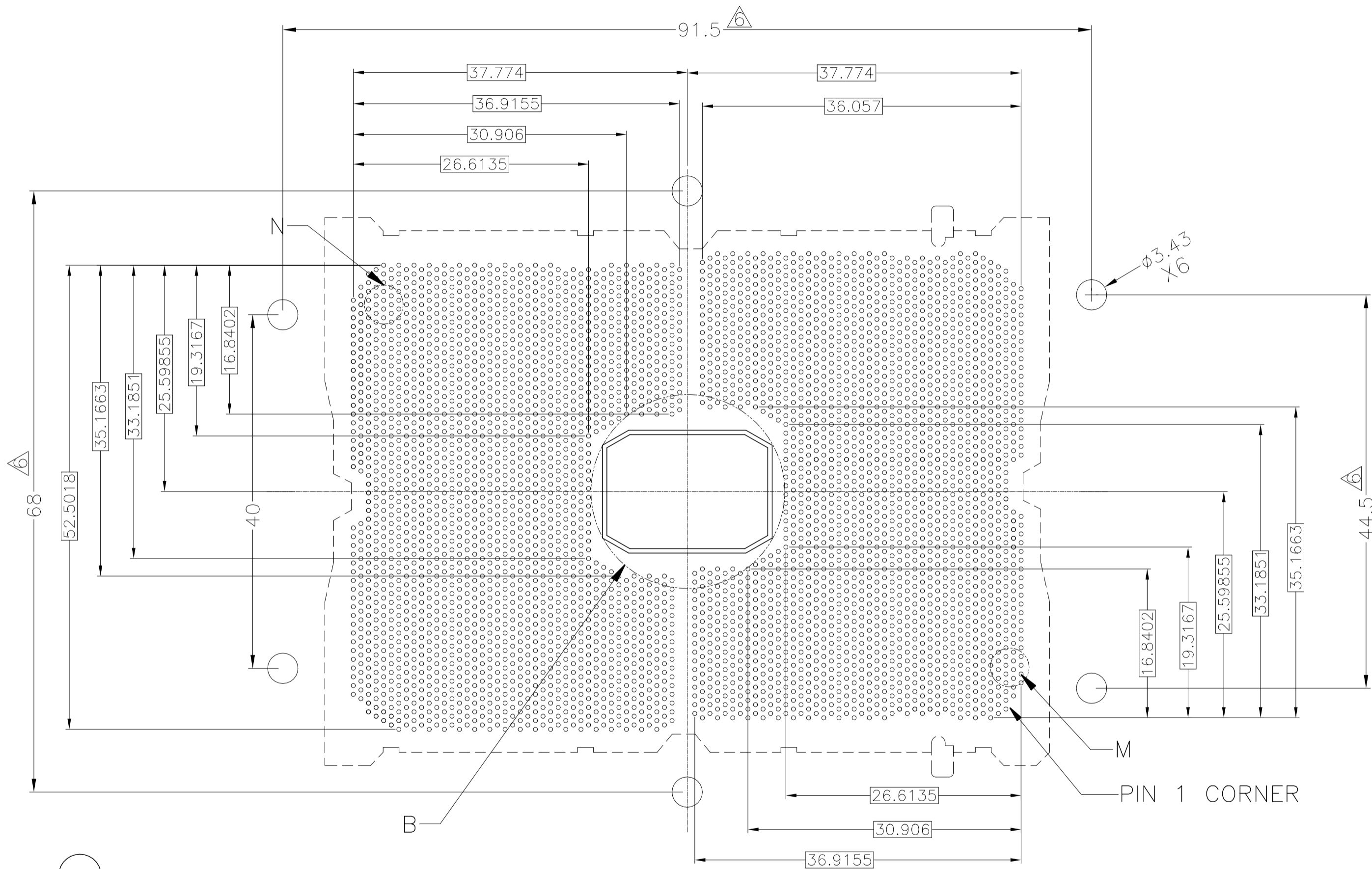
DESCRIPTION	DIM D
LGA4189 SOCKET P5(RIGHT SEGMENT)	13.415
LGA4189 SOCKET P4(RIGHT SEGMENT)	10.415

THESE VIEW DON'T SHOW CAP BEFORE SMT CONDITION  
 LGA4189-4 RIGHT SIDE ASSY  
 2323614-\* AS SHOWN

THIS DRAWING IS A CONTROLLED DOCUMENT.		DWN	TE Connectivity	
DIMENSIONS: mm		CHK	NAME	
TOLERANCES UNLESS OTHERWISE SPECIFIED:		APVD	PRODUCT SPEC	
0-PLC ±		APPLICATION SPEC	SOCKET ASSY	
1-PLC ±0.3		WEIGHT	LGA4189-X	
2-PLC ±		SIZE	CAGE CODE	DRAWING NO
3-PLC ±		A2	00779	G=2324271
4-PLC ±		CUSTOMER DRAWING		
ANGLES ±		SCALE	SHEET	REV
FINISH		NTS	3 of 7	A



LOC	DIST	REVISIONS			
P	LTR	DESCRIPTION	DATE	DWN	APVD
ES	-	SEE SHEET 1	-	-	-



PCB BALL LAYOUT REFERENCE

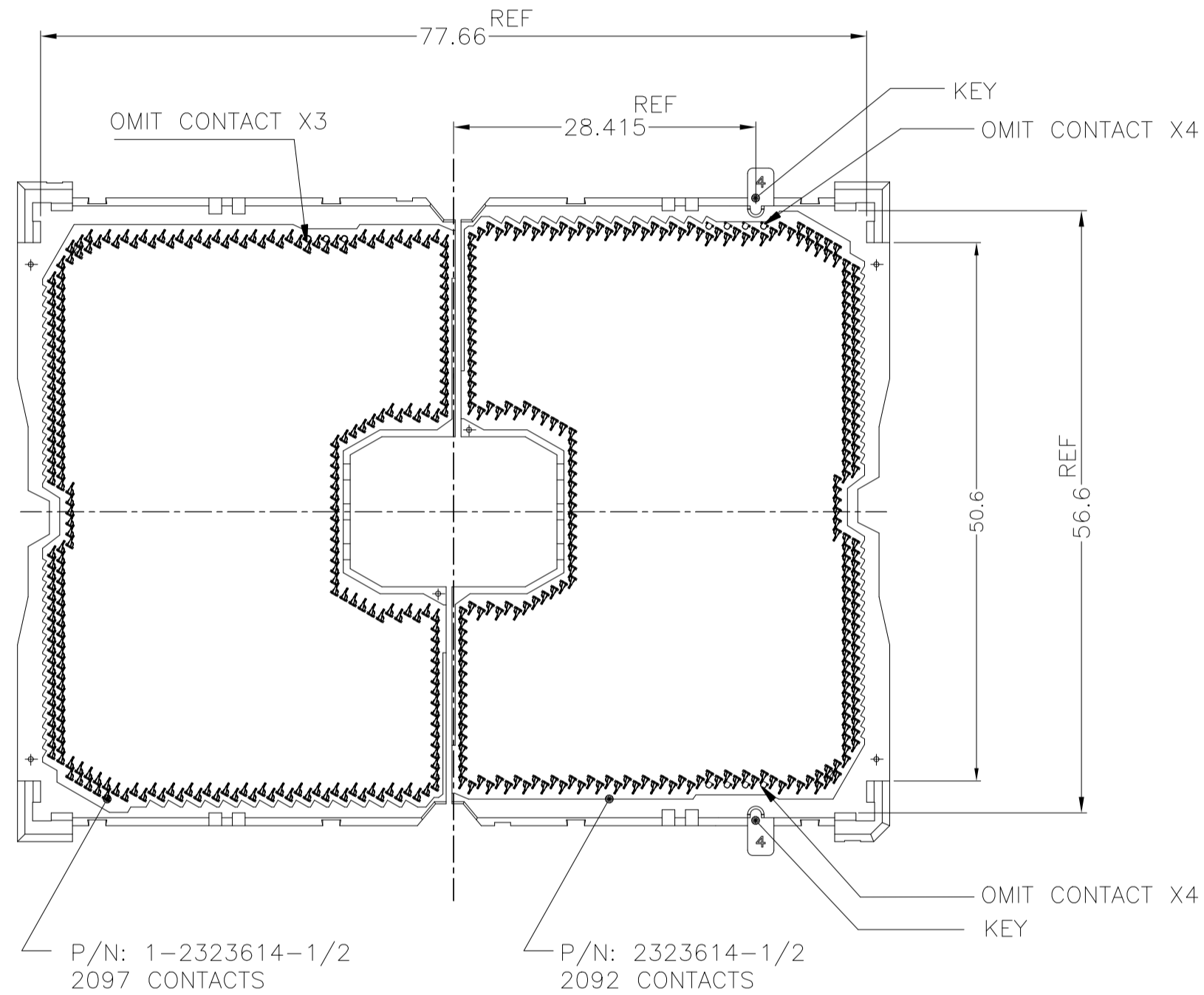
KOZ LEGEND FOR REFERENCE:

	ZONE 2: SOCKET CAVITY TO SOCKET ZONE. NO COMPONENT PLACEMENT ALLOWED 0.0mm HEIGHT RESTRICTION.
	ZONE 1: SOCKET CAVITY 1.222mm HEIGHT RESTRICTION.

THIS DRAWING IS A CONTROLLED DOCUMENT.		DWN	-		
		CHK	-		
		APVD	-		
DIMENSIONS: mm		NAME			
TOLERANCES UNLESS OTHERWISE SPECIFIED:		PRODUCT SPEC			
0. PLC ±		APPLICATION SPEC			
1. PLC ±0.3		SIZE		RESTRICTED TO	
2. PLC ±		A2		-	
3. PLC ±		CAGE CODE		-	
4. PLC ±		DRAWING NO		-	
ANGLES ±		G=2324271		-	
FINISH		WEIGHT		-	
-		CUSTOMER DRAWING		SCALE NTS SHEET 5 OF 7 REV A	

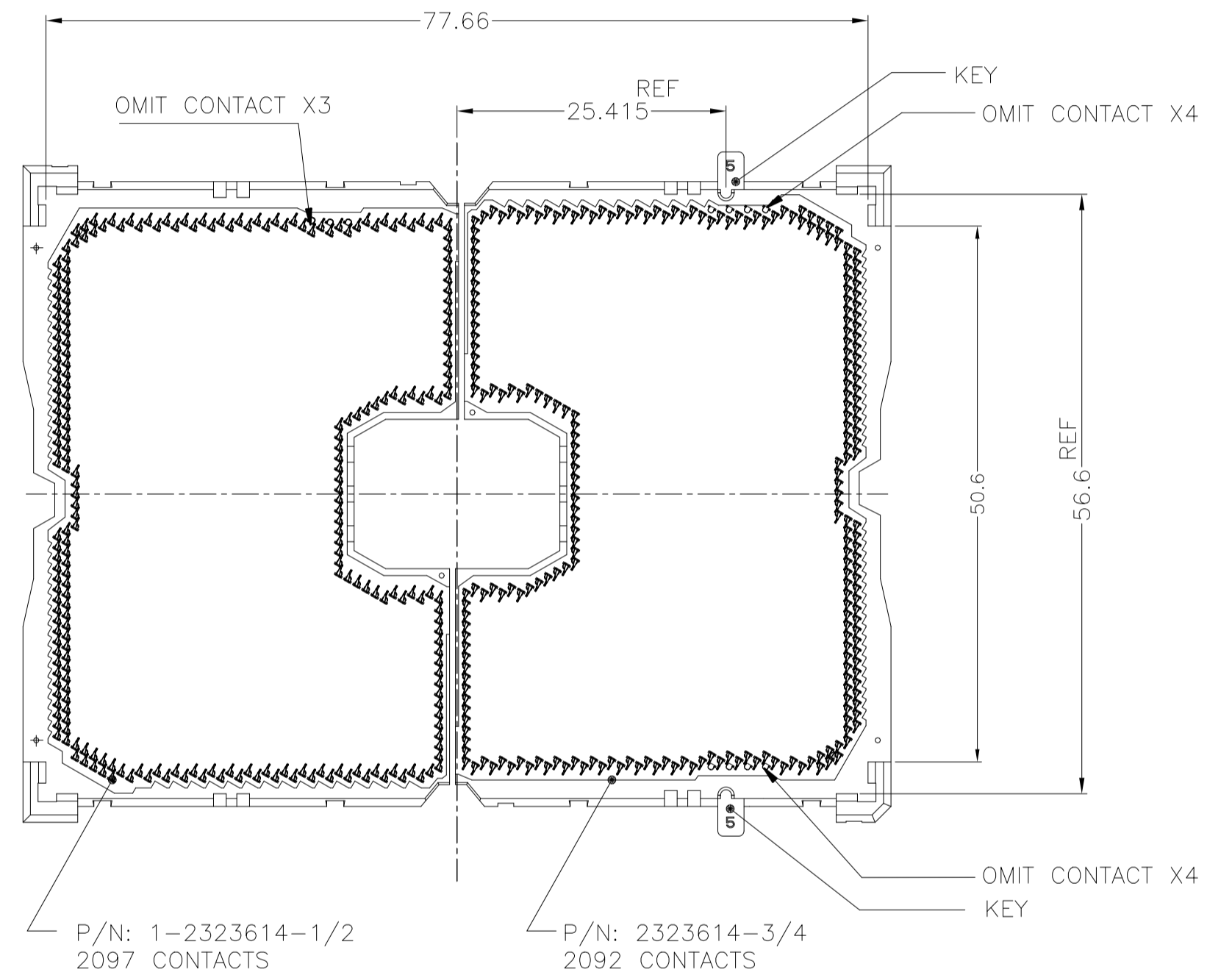
LOC		DIST		REVISIONS			
P	LTR	DESCRIPTION	DATE	DWN	APVD		
-	-	SEE SHEET 1	-	-	-		

SOCKET P4,LGA4189-4 AS SHOWN



LGA4189-4 AS SHOWN  
 AFTER SMT CONDITION (WITHOUT CAP)

SOCKET P5,LGA4189-5 AS SHOWN

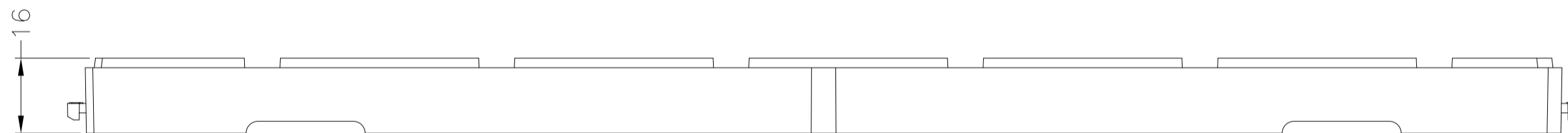
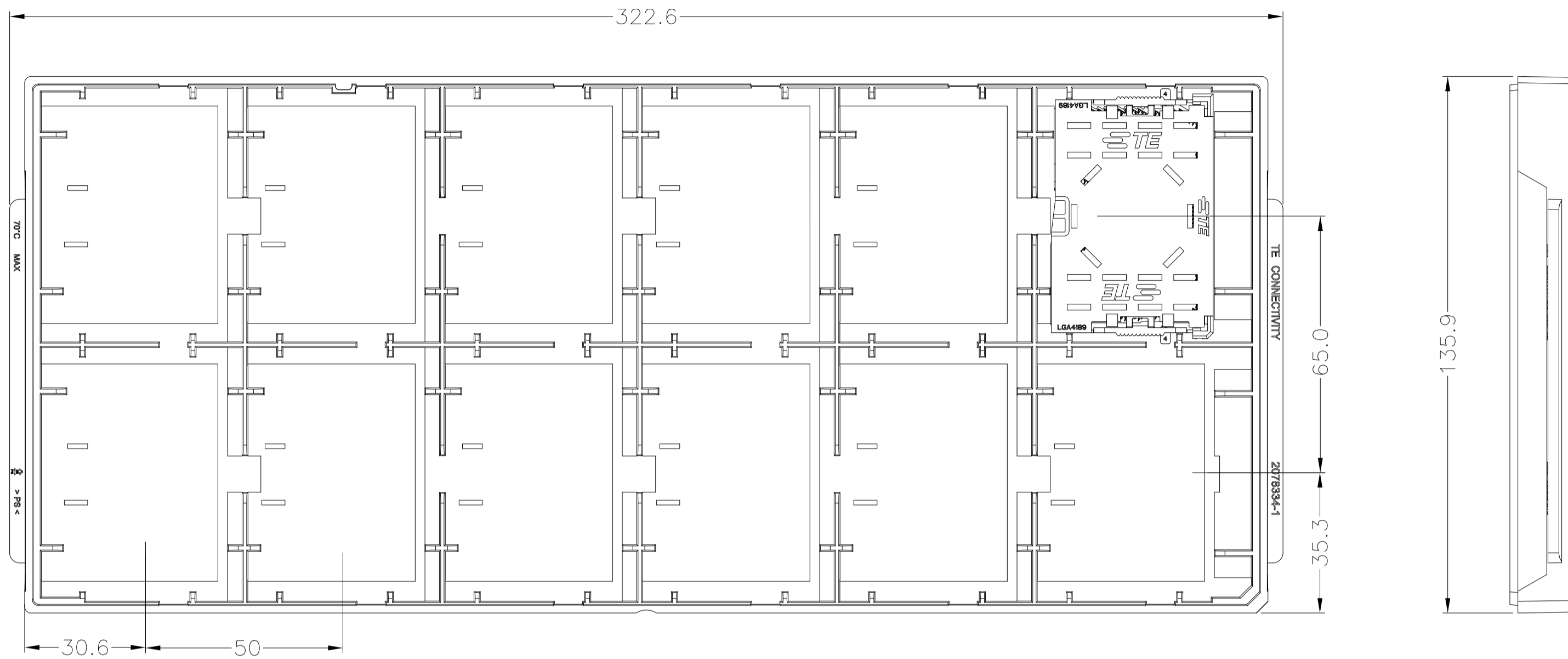


LGA4189-5 AS SHOWN  
 AFTER SMT CONDITION (WITHOUT CAP)

LGA4189-X POST SMT CONDITION  
 (PCB IS NOT SHOWN)

THIS DRAWING IS A CONTROLLED DOCUMENT.		DWN	TE Connectivity	
DIMENSIONS: mm		CHK	NAME	
TOLERANCES UNLESS OTHERWISE SPECIFIED: 0-PLC ± 1-PLC ±0.3 2-PLC ± 3-PLC ±3 4-PLC ± ANGLES ± FINISH -		APVD	PRODUCT SPEC APPLICATION SPEC SOCKET ASSY LGA4189-X	
MATERIAL	FINISH	WEIGHT	SIZE	CAGE CODE
-	-	-	A2	00779
		DRAWING NO		RESTRICTED TO
		G=2324271		-
		CUSTOMER DRAWING		SCALE NTS SHEET 6 of 7 REV A

LOC	DIST	REVISIONS			
P	LTR	DESCRIPTION	DATE	DWN	APVD
ES	-	SEE SHEET 1	-	-	-



FOR LEFT SEGMENT, USE BLACK TRAY TO PACKAGE.  
 FOR RIGHT SEGMENT, USE BLUE TRAY TO PACKAGE.

# SOCKET P4/5 HARD TRAY

168	84	12	1-2324271-7	LGA4189-5 RIGHT SEGMENT	LGA4189-5 SOCKET P5
168	84	12	1-2324271-8	LGA4189-5 LFFT SEGMENT	
168	84	12	1-2324271-5	LGA4189-5 RIGHT SEGMENT	
168	84	12	1-2324271-6	LGA4189-5 LFFT SEGMENT	
168	84	12	1-2324271-3	LGA4189-4 RIGHT SEGMENT	LGA4189-4 SOCKET P4
168	84	12	1-2324271-4	LGA4189-4 LFFT SEGMENT	
168	84	12	1-2324271-1	LGA4189-4 RIGHT SEGMENT	
168	84	12	1-2324271-2	LGA4189-4 LFFT SEGMENT	
SOCKET QTY PER OUTER BOX		SOCKET QTY PER INNER BOX	SOCKET QTY PER TRAY	ORDER PART NUMBER	PRODUCT NAME

THIS DRAWING IS A CONTROLLED DOCUMENT.		DWN	TE Connectivity		
DIMENSIONS: mm		CHK	NAME		
TOLERANCES UNLESS OTHERWISE SPECIFIED:		APVD	PRODUCT SPEC		
0-PLC ± 1-PLC ±0.5 2-PLC ± 3-PLC ±3 4-PLC ± ANGLES ± FINISH		APPLICATION SPEC		SOCKET ASSY LGA4189-X	
MATERIAL	FINISH	WEIGHT	SIZE	CAGE CODE	DRAWING NO
-	-	-	A2	00779	C=2324271
CUSTOMER DRAWING			SCALE	SHEET	REV
			NTS	7 OF 7	A