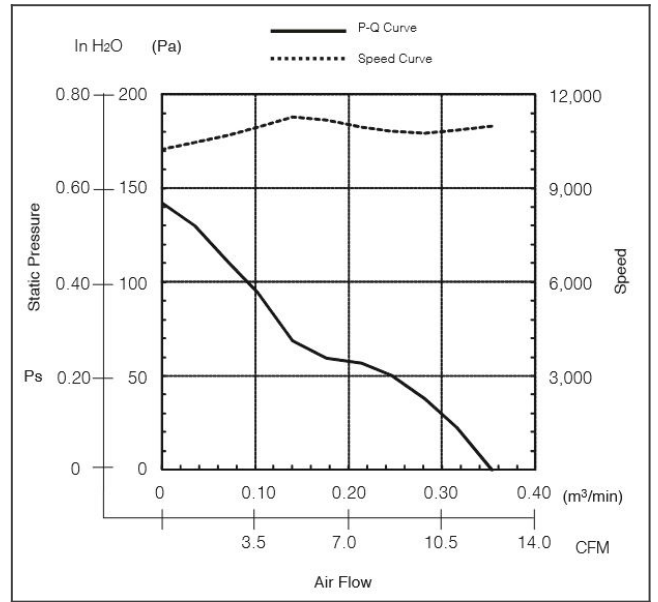


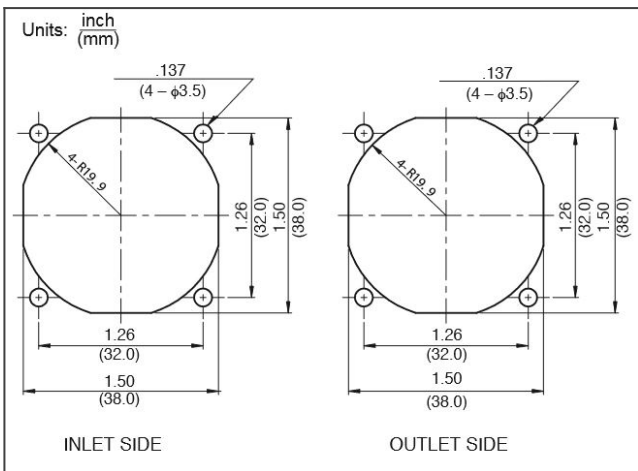
order part 04020VA-24P-AT-00 Ball Bearing Fan DC Axial Fans



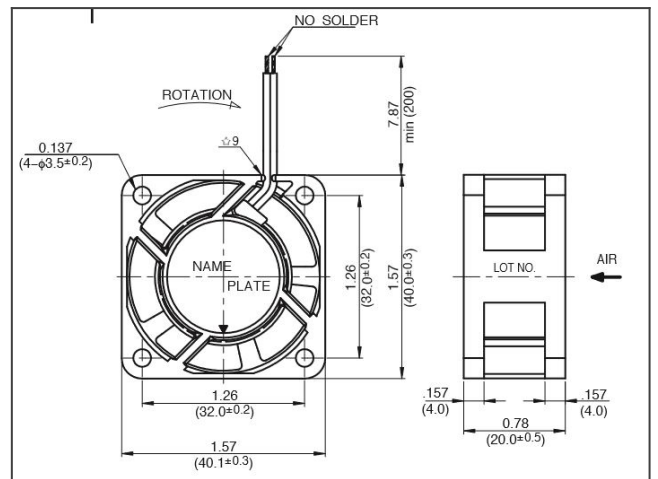
04020VA characteristic curve



04020VA panel cut out



04020VA product drawing



Detailed Specifications

Fan Size:	40[mm]
Fan Width:	20[mm]
Max. Air Flow:	11.3[CFM]
Max. Air Flow:	0.32[m3/min]
Max. Static Pressure:	0.4[In H2O]
Fan Speed:	9500[RPM]
Noise:	37[dB]
Life Expectancy:	25 degree C 100,000 Hours[L10]
Bearing Type:	Ball Bearing
Speed Control:	-
Nominal Voltage:	24[V]
Operating Voltage Lower:	14[V]
Operating Voltage Upper:	26.4[V]
Current:	0.1[A]
Input Power:	2.4[W]
Mass:	40[g]
IP Rating:	Standard