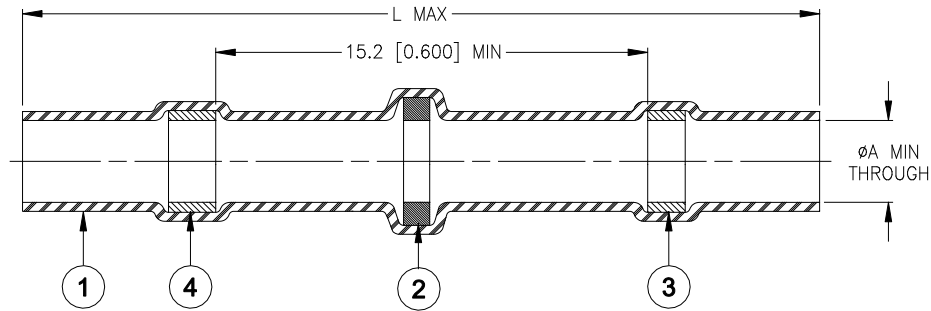


CUSTOMER DRAWING



| Product Name | Size Code Color Items 3&4 | Product Dimensions | | Wire Dimensions | | Selection Guide | | | | Qty: Item 2 |
|--------------|---------------------------------|--------------------|----------------|-----------------|----------------|-----------------------|------|-----------|-------|----------------|
| | | L max | øA min | øB | | Total mm ² | | Total CMA | | |
| | | | | min | max | min | max | min | max | |
| B-155-9001 | Clear | 26.0 [1.025] | 1.7 [0.065] | 0.4 [0.015] | 1.7 [0.065] | 0.3 | 0.8 | 450 | 1500 | 1 |
| B-155-9002 | Red | 42.0 [1.655] | 2.7 [0.105] | 1.3 [0.050] | 2.7 [0.105] | 0.8 | 2.0 | 1250 | 3500 | 2 |
| B-155-9003 | Blue | | 4.5 [0.180] | 1.8 [0.070] | 4.5 [0.180] | 2.0 | 4.0 | 2500 | 7200 | 2 |
| B-155-9004 | Yellow | | 6.0 [0.235] | 2.8 [0.110] | 6.0 [0.235] | 4.0 | 6.0 | 6100 | 19000 | 2 |
| B-155-9005 | Grey | | 7.0 [0.275] | 3.2 [0.125] | 7.0 [0.275] | 6.0 | 10.0 | 12000 | 25000 | 2 |

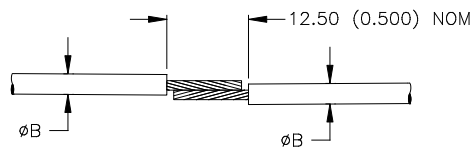
MATERIALS


1. INSULATION SLEEVE: Heat-shrinkable, transparent clear, radiation cross-linked modified polyolefin.
2. SOLDER PREFORM WITH FLUX: Qty: see table (one solder washer shown).
 SOLDER: TYPE Sn42Bi58 per ANSI / J-STD-006.
 FLUX: TYPE ROM1 per ANSI / J-STD-004.
- 3&4. MELTABLE RINGS: Thermally stabilized thermoplastic. Color: see table.

APPLICATION

1. These controlled soldering devices are designed to splice tin-plated or bare copper stranded wires rated for at least +85°C.
2. Temperature range: -55°C to +125°C.
3. When installed properly, it will meet the performance requirements of TE Connectivity / Raychem Specification RT-1404.
4. For installation procedure and application equipment consult RPIP-824-00.

For best results, prepare the wires as shown:



| | | | | | | | |
|--|---|--|----------------------|---|------------|----------------------|--|
|  | | Raychem DEVICES | | TITLE: SOLDERSLEEVE ONE-STEP WIRE TERMINATOR, LEAD-FREE LOW TEMPERATURE * | | | |
| Unless otherwise specified dimensions are in millimeters. [Inches dimensions are shown in brackets] | | | | DOCUMENT NO.: B-155-90XX | | | |
| TOLERANCES: 0.00 N/A 0.0 N/A 0 N/A | ANGLES: N/A ROUGHNESS IN MICRON | TE Connectivity reserves the right to amend this drawing at any time. Users should evaluate the suitability of the product for their application. | | Rev: C1 | | DATE: 21-Aug-2020 | |
| PREPARED BY: M.FORONDA | ECO NUMBER: ECO-20-011817 | REPLACES: D050172 | CAGE CODE : 06090 | SCALE: NTS | SIZE: A | SHEET: 1 of 1 | |

© 2020 TE Connectivity Ltd. Family of Companies. All Rights Reserved.

If this document is printed it becomes uncontrolled. Check for the latest revision.

*TE Connectivity, TE connectivity (logo), Raychem, SolderSleeve are trademarks