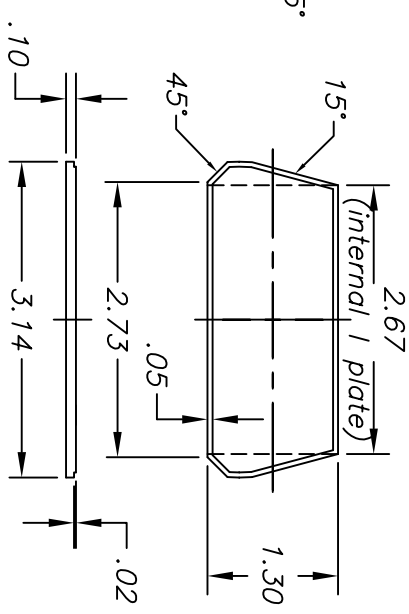
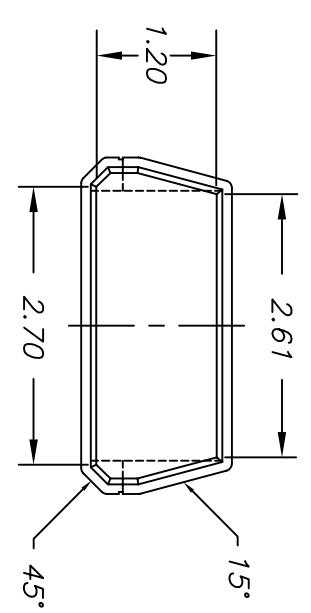
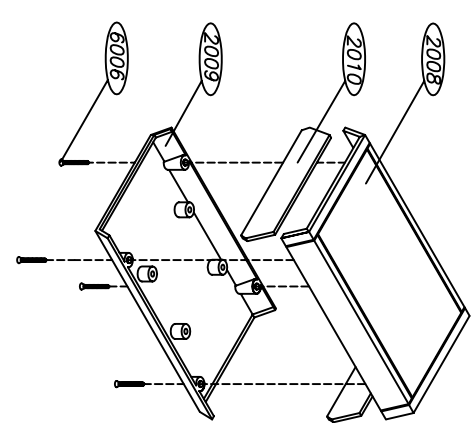
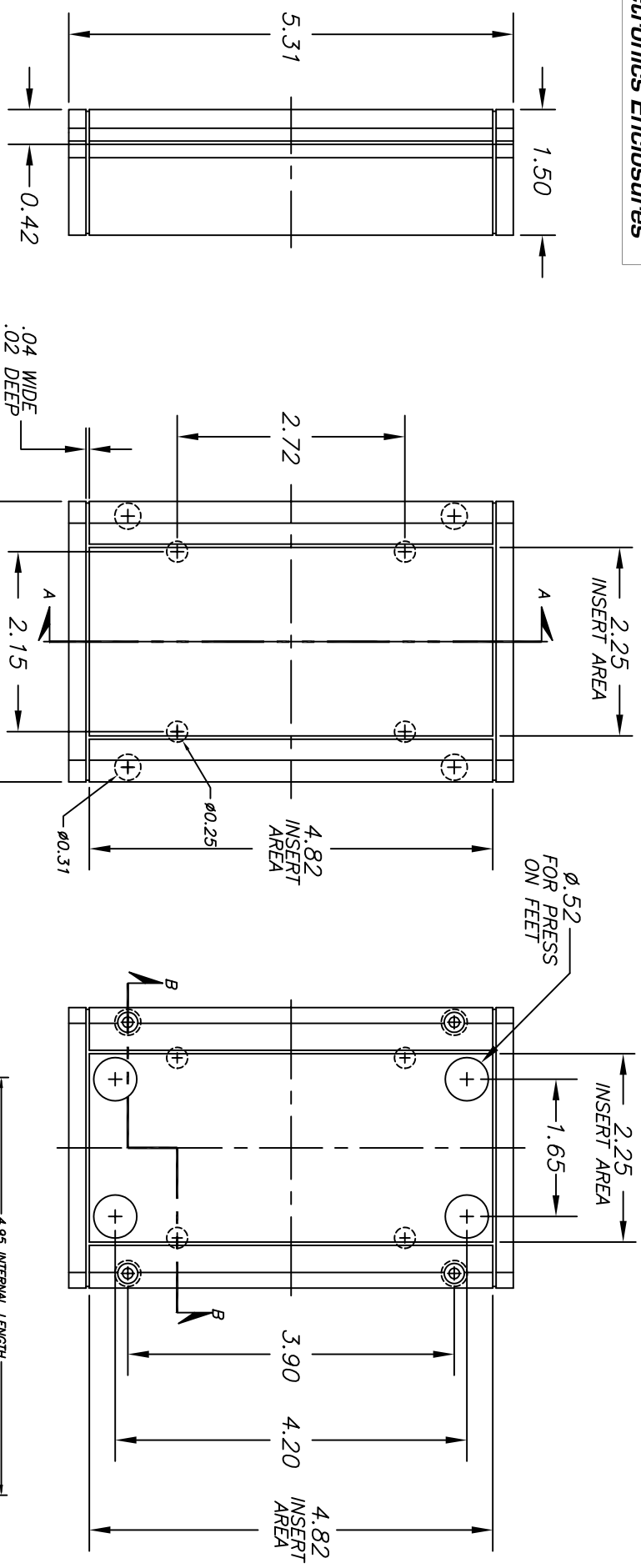


# SEPPAC A-27

Electronics Enclosures

NOTES:  
 1. WHEN MACHINE OR I PLATES MODIFICATIONS ARE REQUIRED, USE THE CENTER OF THE ENCLOSURE TO DIMENSION.



SECTION A-A

10-08-98  
 ALL DIMENSIONS ± .010

PART NO.	DESCRIPTION	PART NO.	ACCESSORIES
2008	PLASTIC TOP	51	PRESS ON FEET
2010	PLASTIC END PANEL	2010IR	INFARED PANELS
2009	PLASTIC BOTTOM	2010CL	CLEAR & TRANSPARENT RED PANELS
6006	SCREW	2010DB9	9 PIN CONNECTOR
		2010DB25	25 PIN CONNECTOR