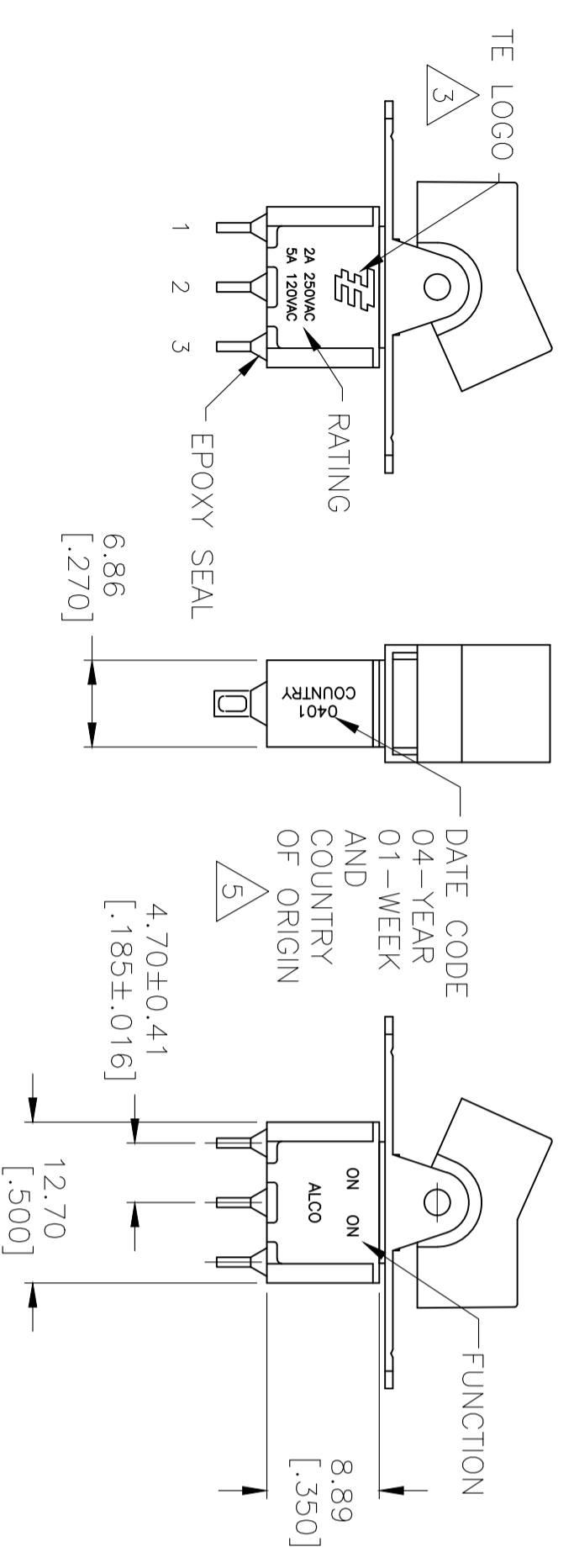


REVISIONS		DATE	DNV	APRD
P	LR	DESCRIPTION		
A12		REVISED PER ECO-17-001761	10MAY2017	RK AS



- ALL MATERIALS AND FINISHES SHALL COMPLY WITH EU DIRECTIVE 2002/95/EC OF 27JAN2003 (ROHS).
- G CONTACT OPTION CAN BE USED FOR SIGNAL OR POWER LEVEL SWITCHING. IF SWITCH IS USED AT LEVELS EXCEEDING .4VA @ 20V AC/DC, SWITCH IS RENDERED FOR POWER SWITCHING ONLY DUE TO ARC REMOVAL OF GOLD PLATING. RATING MARKED ON SWITCH IS 2A 250VAC, 5A 120VAC.
- TE CONNECTIVITY LOGO PER PER TEC-202-36.
- DATE CODE AND COUNTRY OF ORIGIN MAY APPEAR ON EITHER SIDE OF SWITCH.
- PANEL MOUNT BRACKET SUPPLIED WITH TERMINALS W, Z AND Z3 ONLY.
- ACTUATOR MARKED  -
- ACTUATOR MARKED  0
- ACTUATOR MARKED  -
- ALL LOGO, RATING, DATE CODE, AND FUNCTION MARKINGS TO BE LASER MARKED.
- OBsolete
- GRAY ACTUATOR WITH MODIFIED BRACKET (SUPPORT BRACKET TRIMMED PARALLEL TO THE PCB)

FUNCTION CHART			
FUNCTION			
01	ON	NONE	ON
03	ON	OFF	ON
05	(ON)	OFF	(ON)
07	ON	OFF	(ON)
08	ON	NONE	(ON)
TERMINALS CONNECTED	2-3	---	1-2

NONE: NO MECHANICAL POSITION  
OFF: MECHANICAL POSITION WITH NO ELECTRICAL CONNECTION  
(ON): MOMENTARY ACTION

SPECIFICATIONS	
RATING, B CONTACTS	.4VA MAX @20V MAX. AC OR DC
RATING, G CONTACTS--SEE NOTE 2	.4VA MAX @20V MAX. AC OR DC OR 5A @120 VAC OR 28 VDC (RESISTIVE) 2A @250 VAC (RESISTIVE)
RATING, Q CONTACTS	5A @120 VAC OR 28 VDC (RESISTIVE) 2A @250 VAC (RESISTIVE)
ELECTRICAL LIFE	6,000 CYCLES AT RATED LOAD
CONTACT RESISTANCE	10 MILLIOHMS MAX INITIAL @ 2-4VDC, 100MA
INSULATION RESISTANCE	1,000 MEGOHMS MIN
DIELECTRIC WITHSTANDING VOLTAGE	1,000 V RMS AT SEA LEVEL
OPERATING TEMPRATURE	-30C TO 85C

PART NUMBER SEQUENCE CHART

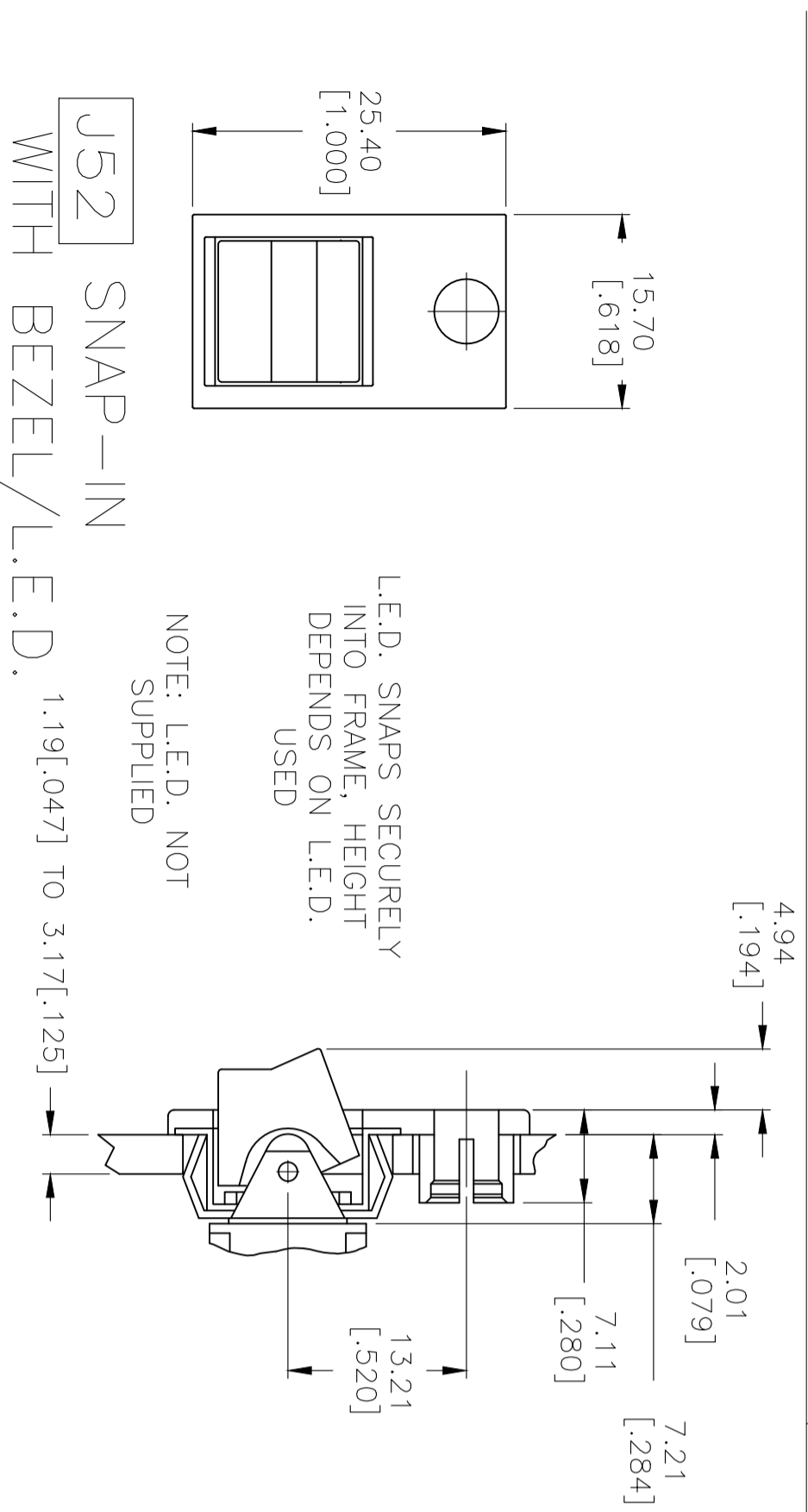
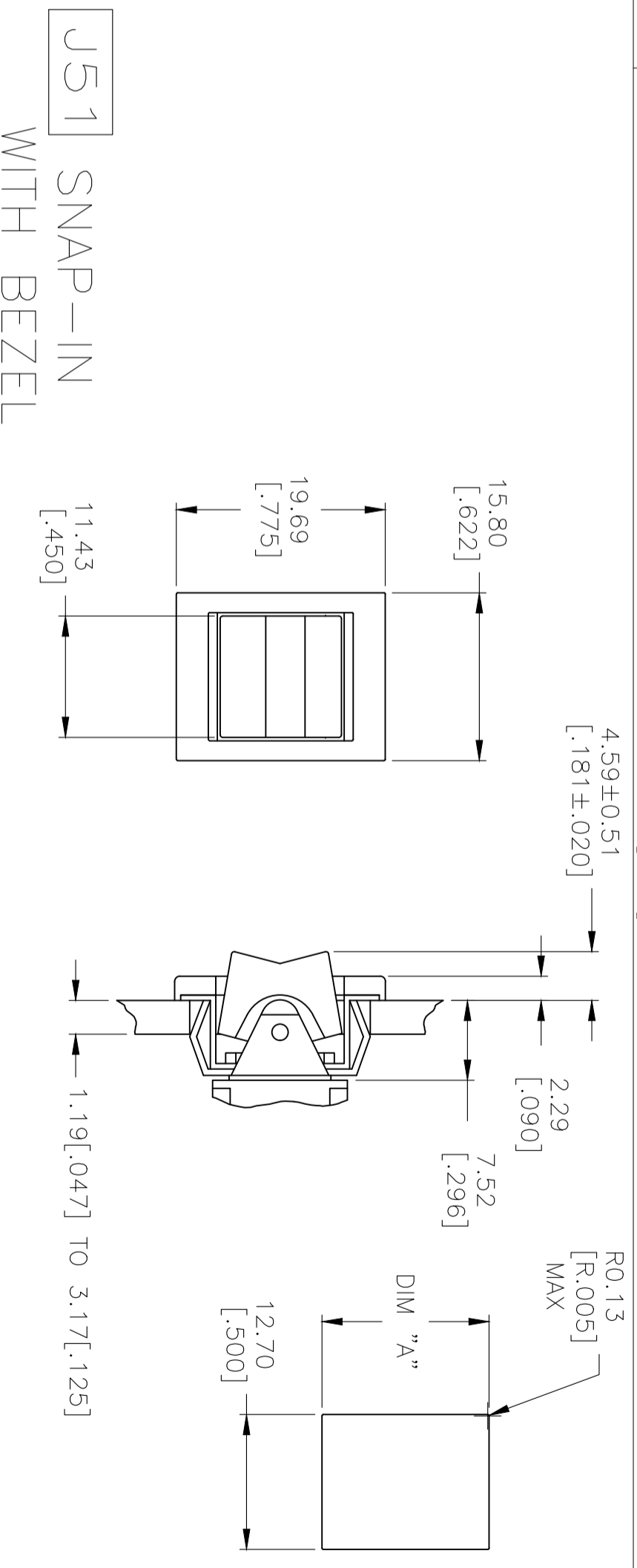
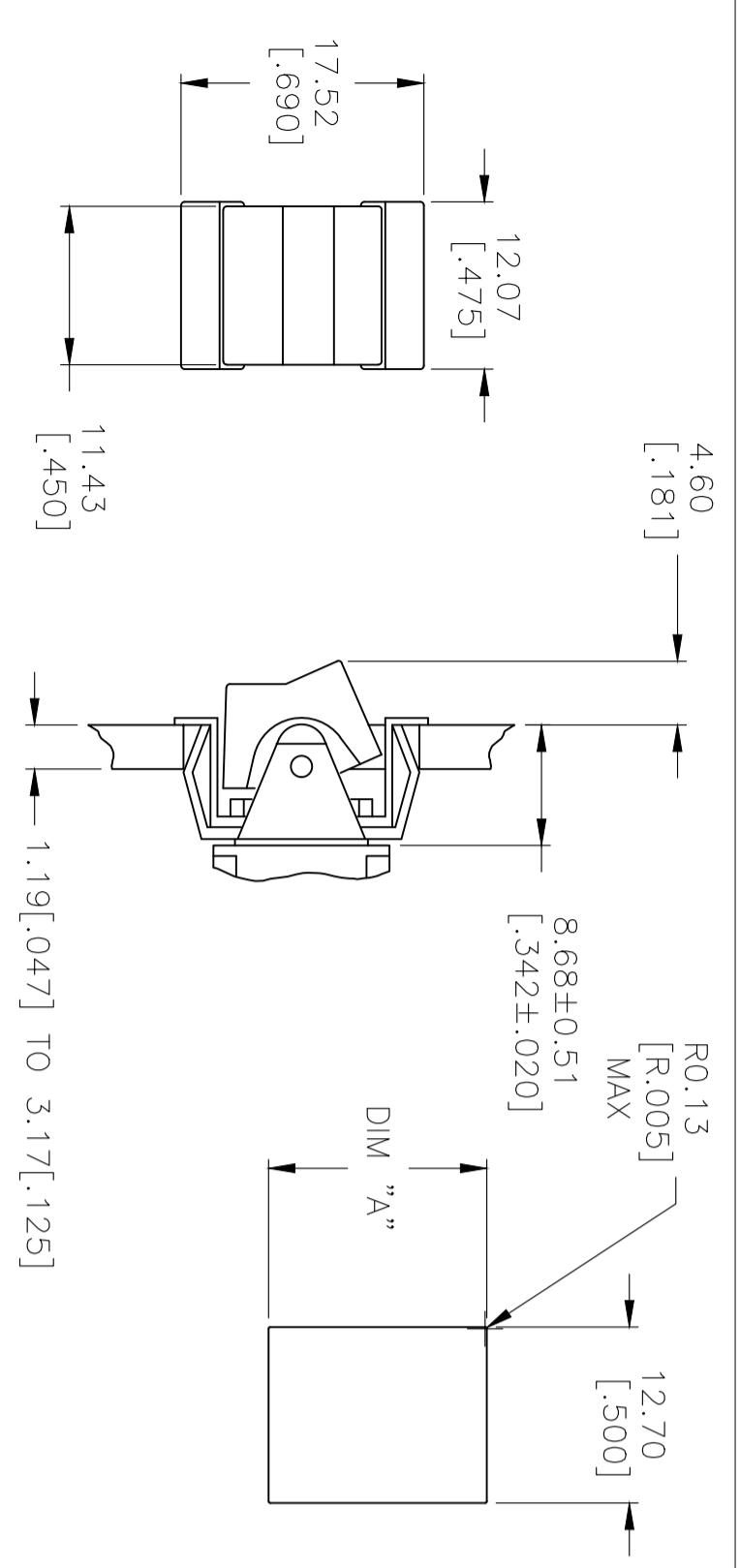
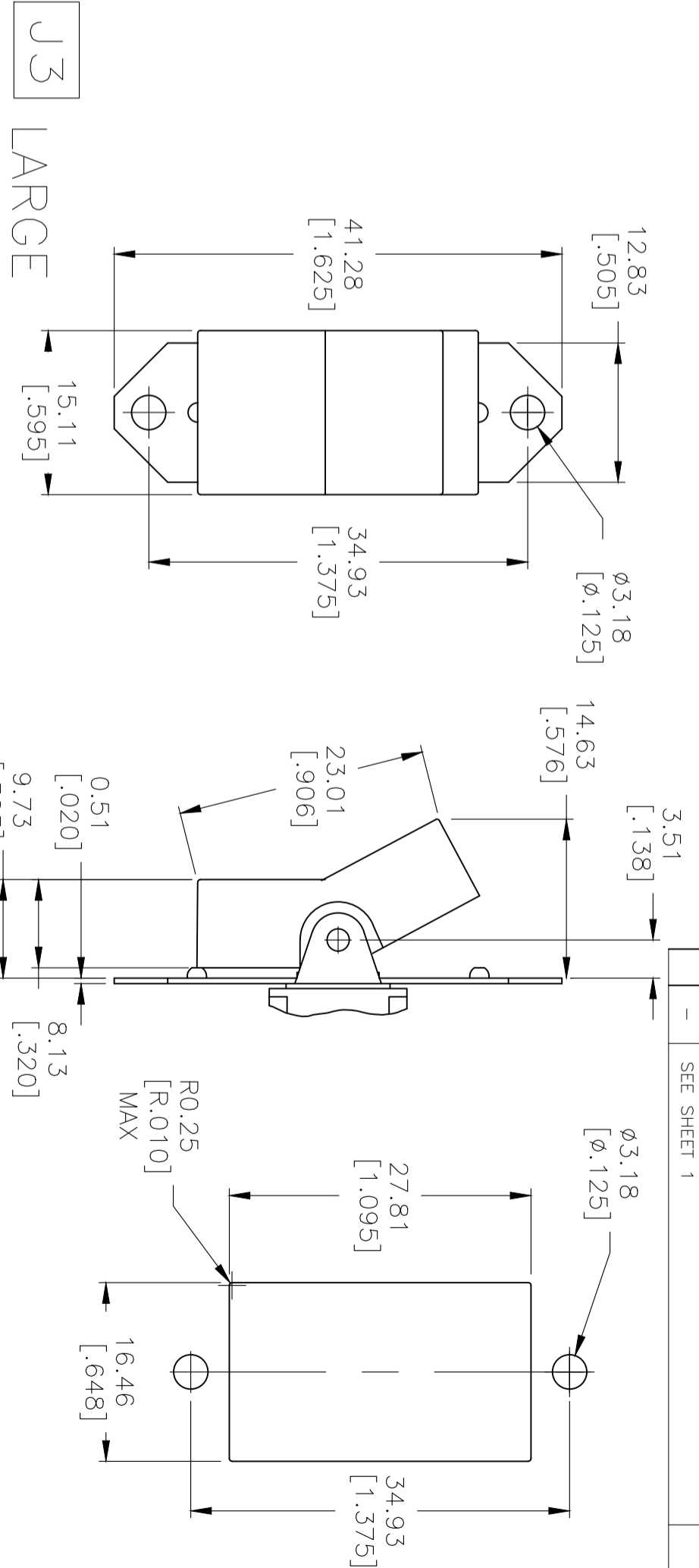
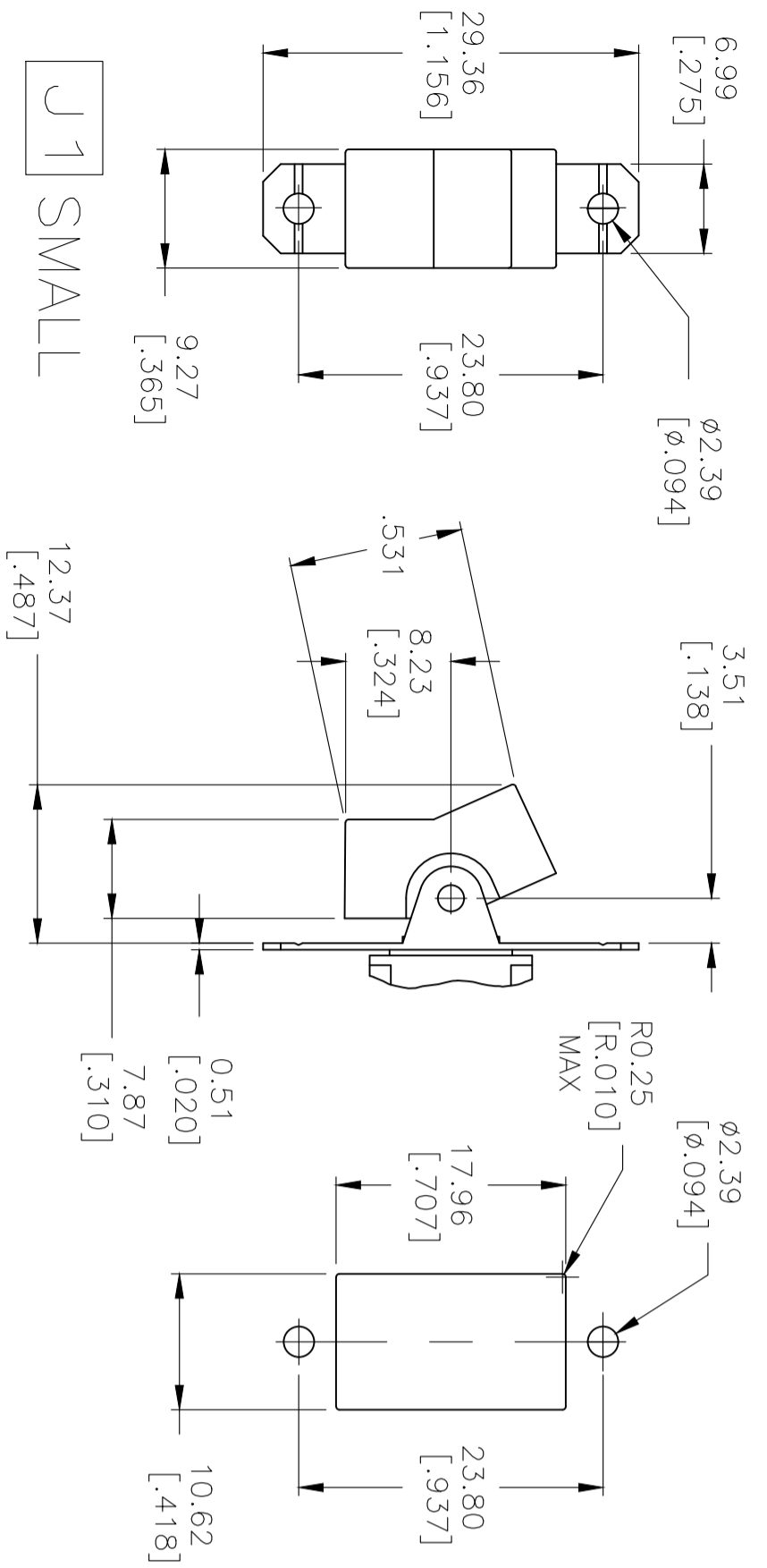
MODEL	FUNCTION	ACTUATOR	TERMINAL	CONTACT	ACTUATOR COLOR	BEZEL COLOR	ROHS
A1	01	J1	A	B	0 BLACK (STD)	0 BLACK (STD)	04
	03	J3	AV2	G	1 BROWN	1 BROWN	
	05	J50	C	Q	2 RED	2 RED	
	07	J51	V3		3 ORANGE	3 ORANGE	
	08	J52	V4		4 YELLOW	4 YELLOW	
		J2	V6		5 GREEN	5 GREEN	
		J4	V7		6 BLUE	6 BLUE	
		J60	W		8 GRAY	8 GRAY	
		J61	W4		9 WHITE	9 WHITE	
		J62	Z				
			Z3				

THIS DRAWING IS A CONTROLLED DOCUMENT.

DMN M.BINNER	06JAN05	NAME GEMINI A SERIES ROCKER SWITCH
CHK M.ZITTO	06JAN05	TE Connectivity
APVD M.ZITTO	06JAN05	
PRODUCT SPEC		
APPLICATION SPEC		
WEIGHT		
CUSTOMER DRAWING		

SIZE: A2 CAGE CODE: 00779 DRAWING NO: 1571986 SCALE: 2:1 SHEET: 1 OF 5 REV: A12

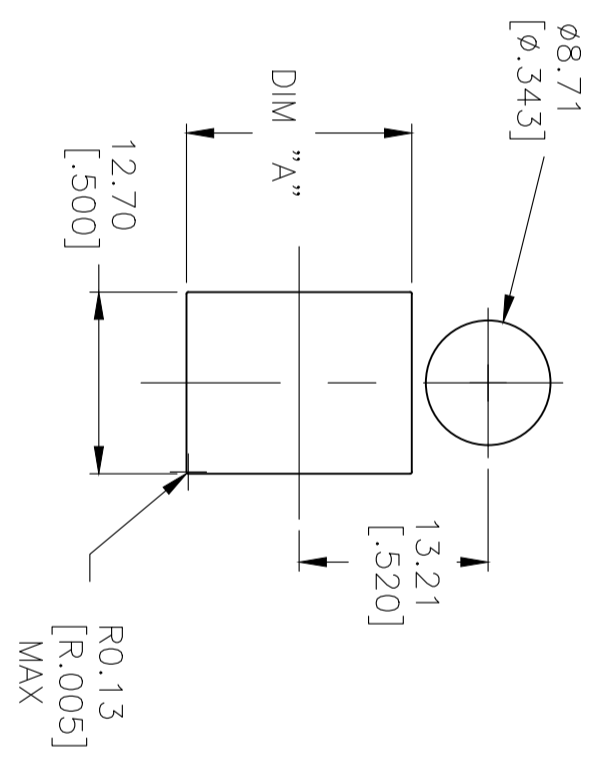
REVISIONS		DATE	DMN	APPD
P	LTR	DESCRIPTION		
-	-	SEE SHEET 1	-	-



L.E.D. SNAPS SECURELY INTO FRAME, HEIGHT DEPENDS ON L.E.D. USED

NOTE: L.E.D. NOT SUPPLIED

J52 SNAP-IN WITH BEZEL/LED. 1.19[.047] TO 3.17[.125]



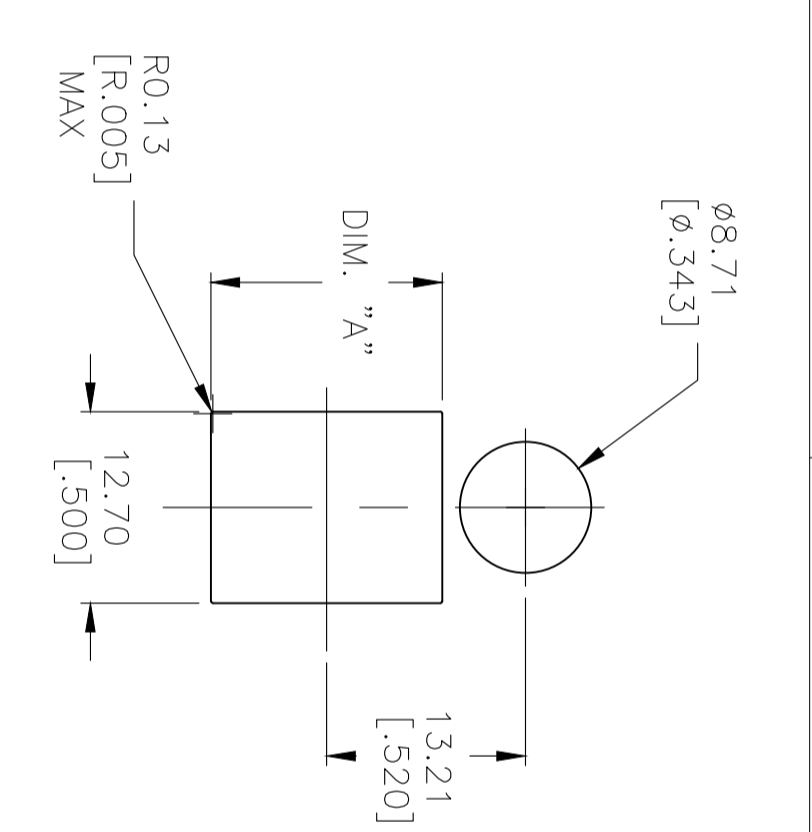
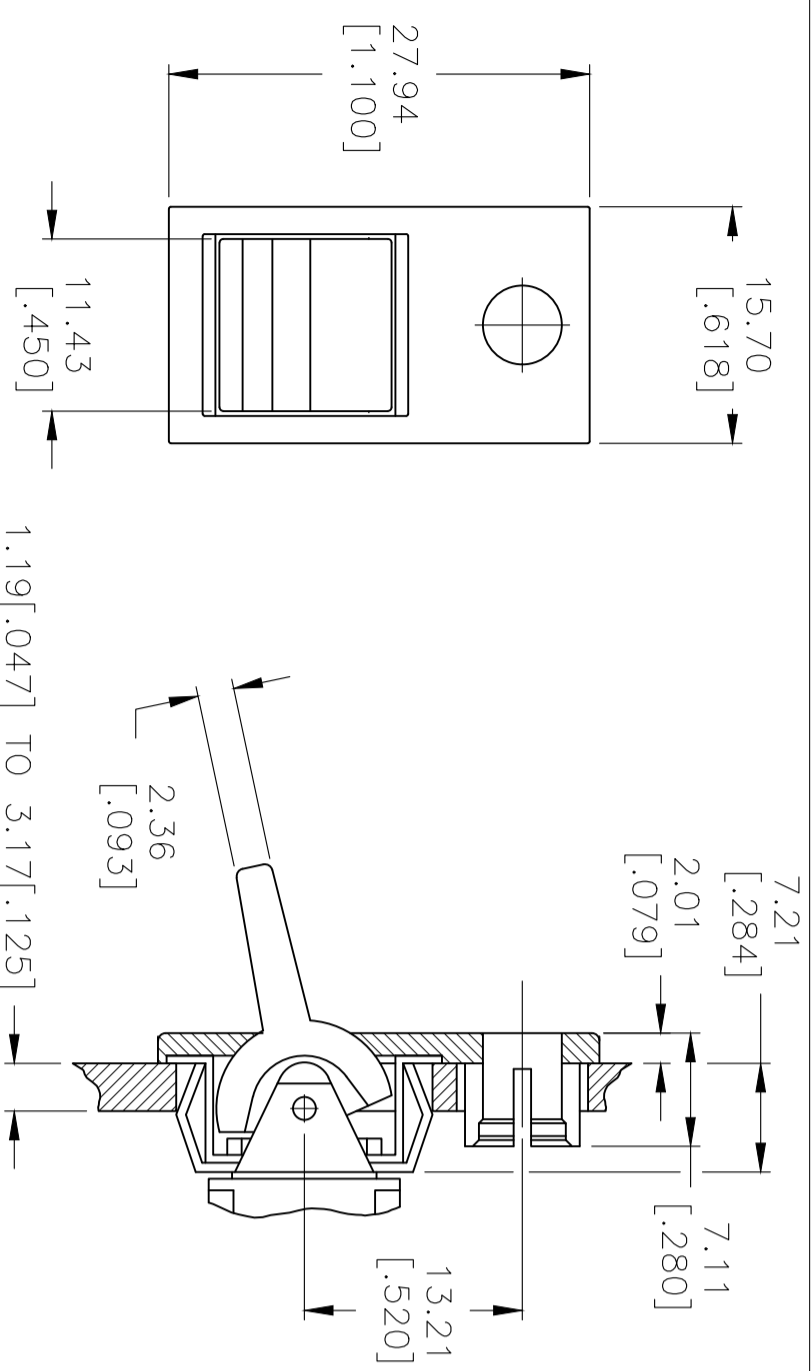
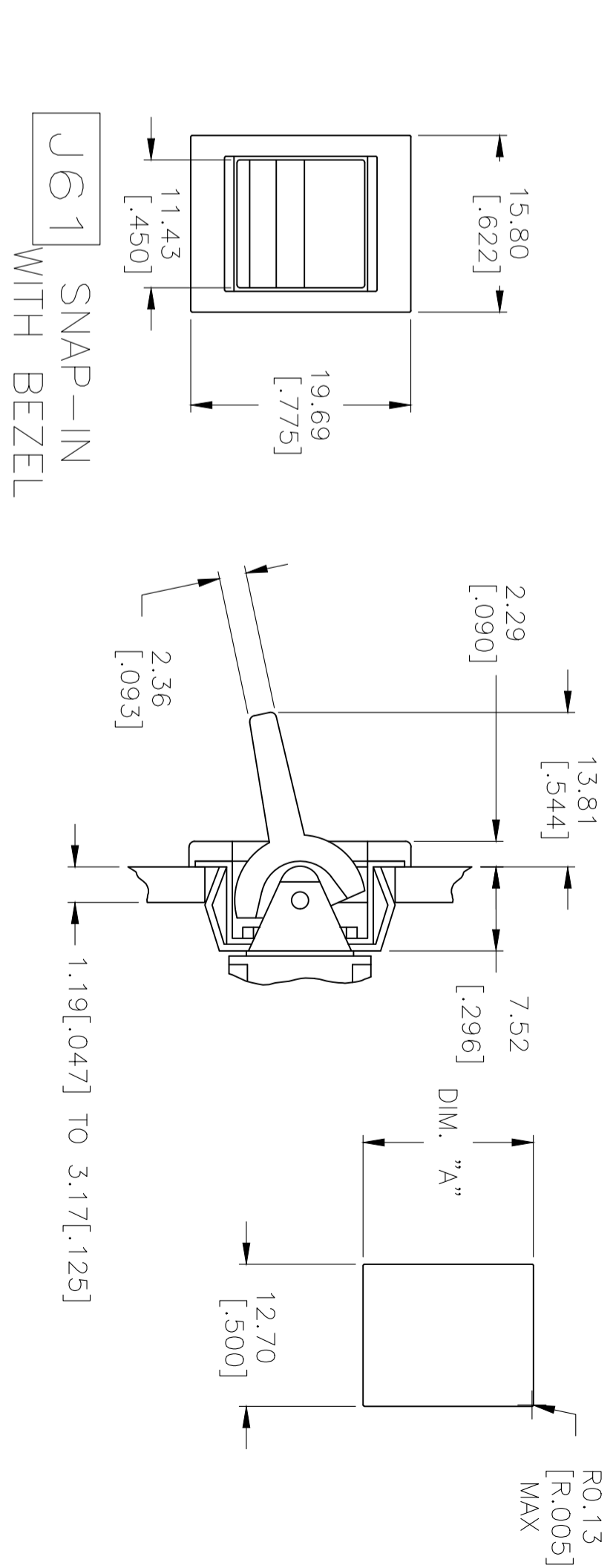
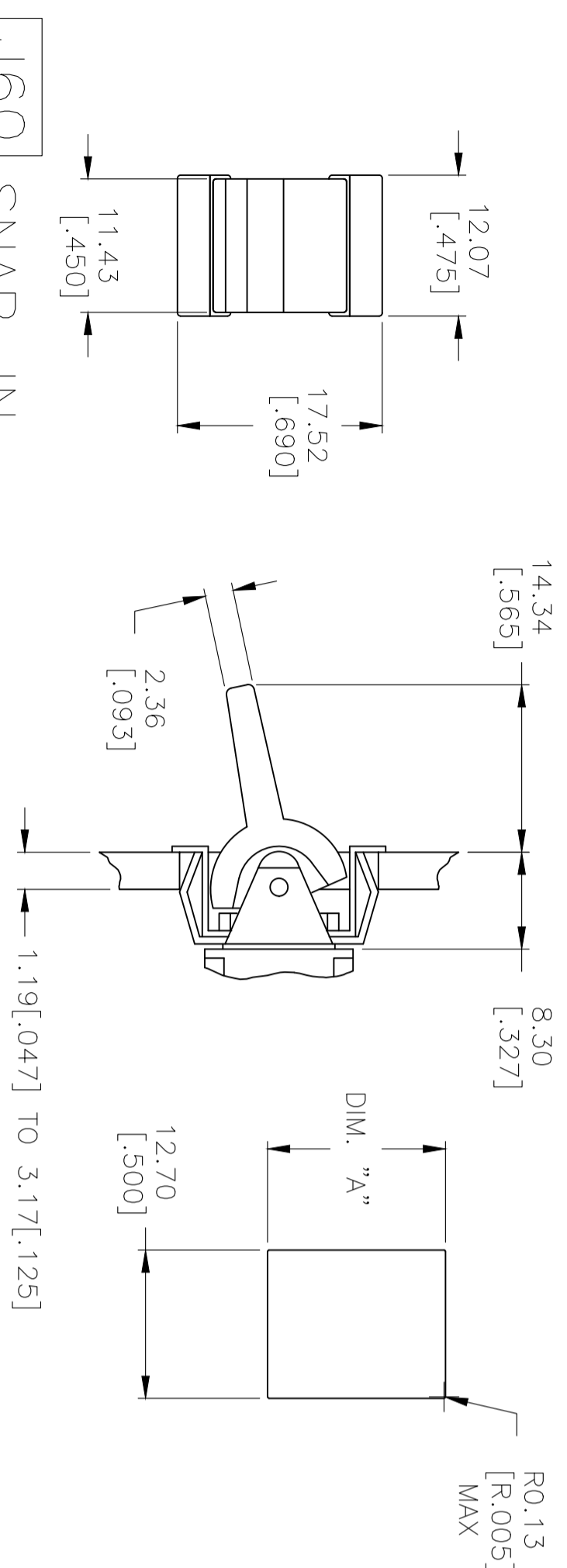
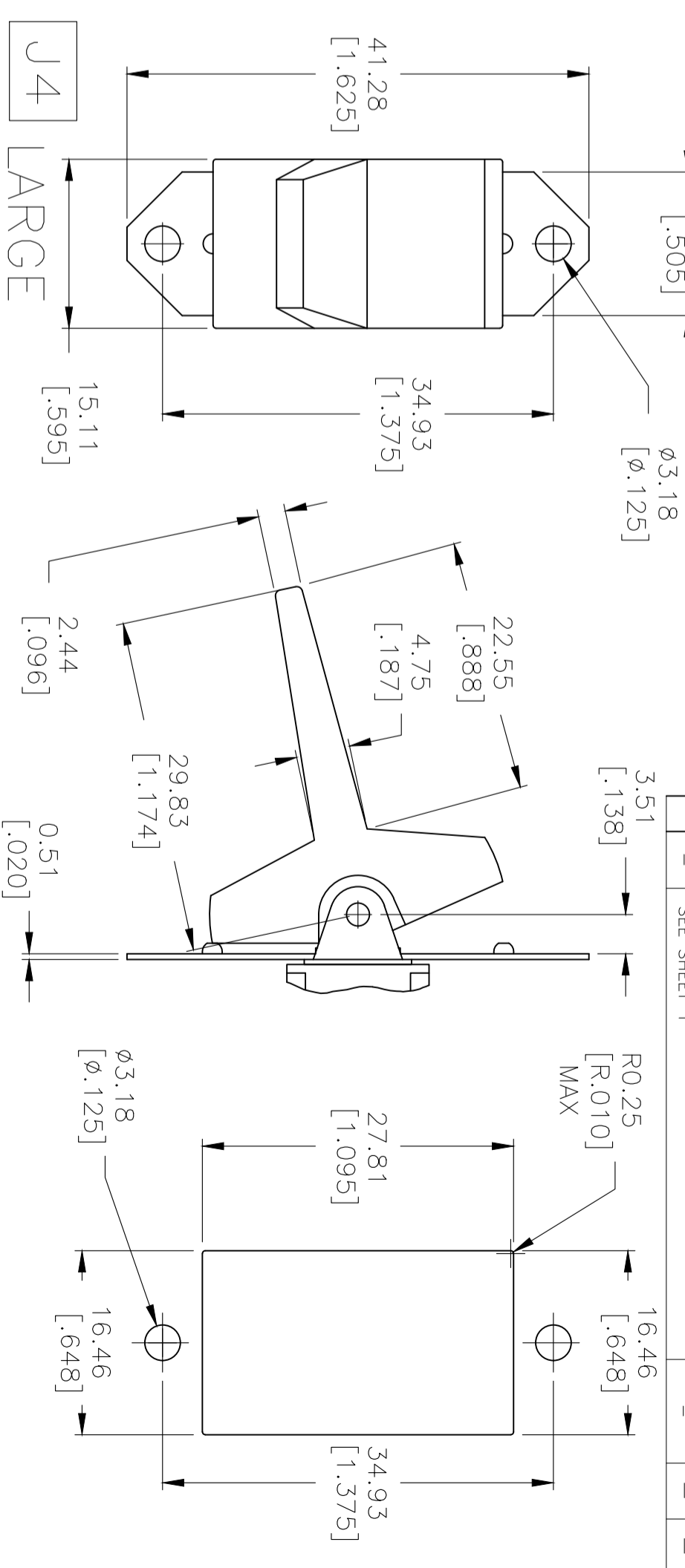
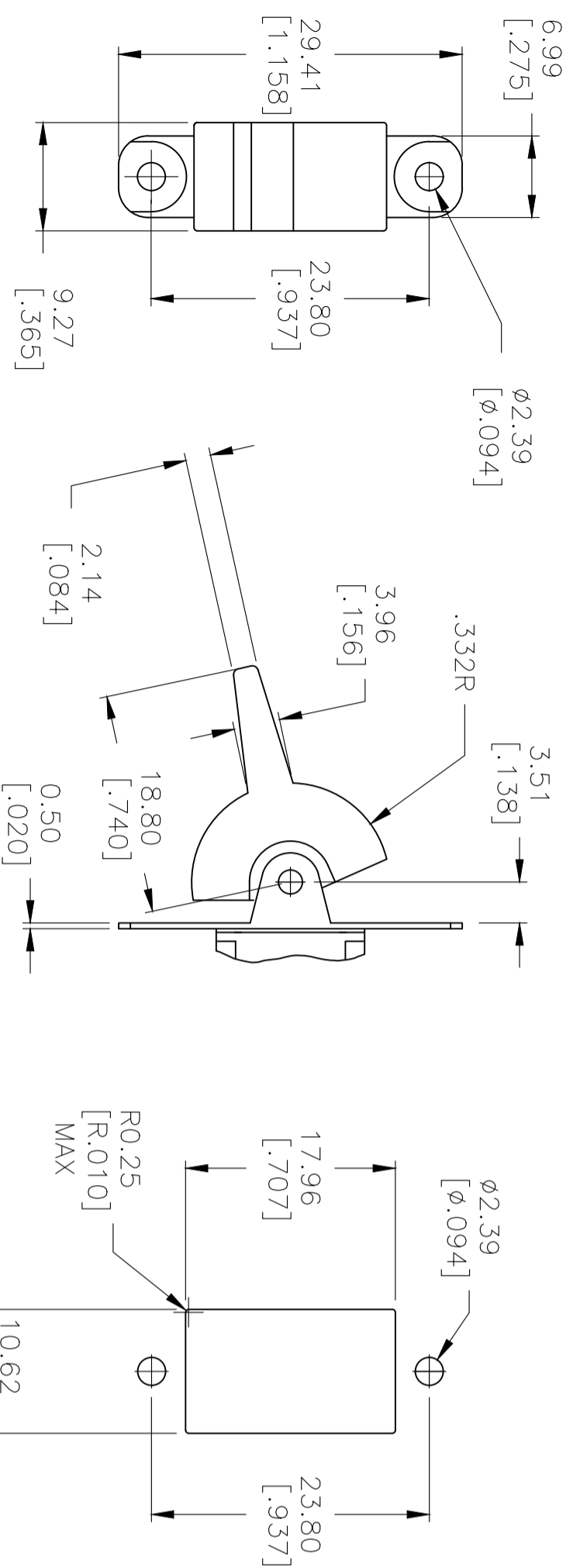
THICKNESS	DIM "A"
1.52[.060]-3.17[.125]	15.75[.620]-15.87[.625]
1.19[.047]-1.50[.059]	15.72[.619]

THIS DRAWING IS A CONTROLLED DOCUMENT.

DMN	06JAN05	TE Connectivity
M.BINNER	06JAN05	
CHK	M.ZITTO	
APVD	M.ZITTO	
PRODUCT SPEC		
APPLICATION SPEC		
WEIGHT		
CUSTOMER DRAWING		

NAME	GEMINI A SERIES ROCKER SWITCH SINGLE POLE
SIZE	A2
CAGE CODE	00779
DRAWING NO	1571986
SCALE	2:1
SHEET	2 OF 5
REV	A12

REVISIONS		DATE	DMN	APP'D
P	LTR	DESCRIPTION		
-	-	SEE SHEET 1	-	-



DIMENSIONS:		TOLERANCES UNLESS OTHERWISE SPECIFIED:	
mm	(INCHES)	mm	(INCHES)
0	PLC	±	-
1	PLC	±	-
2	PLC	±	-
3	PLC	±	0.25(0.01)
4	PLC	±	0.25(0.01)
	FINISH	±	0.005

THIS DRAWING IS A CONTROLLED DOCUMENT.			
DMN	M.BINNER	06JAN05	TE Connectivity
CHK	M.ZITTO	06JAN05	
APP'D	M.ZITTO	06JAN05	
PRODUCT SPEC		GEMINI A SERIES ROCKER SWITCH	
APPLICATION SPEC		SINGLE POLE	
WEIGHT		RESTRICTED TO	
CUSTOMER DRAWING		A2 00779 © 1571986	

**J62 SNAP-IN WITH BEZEL/LED.**

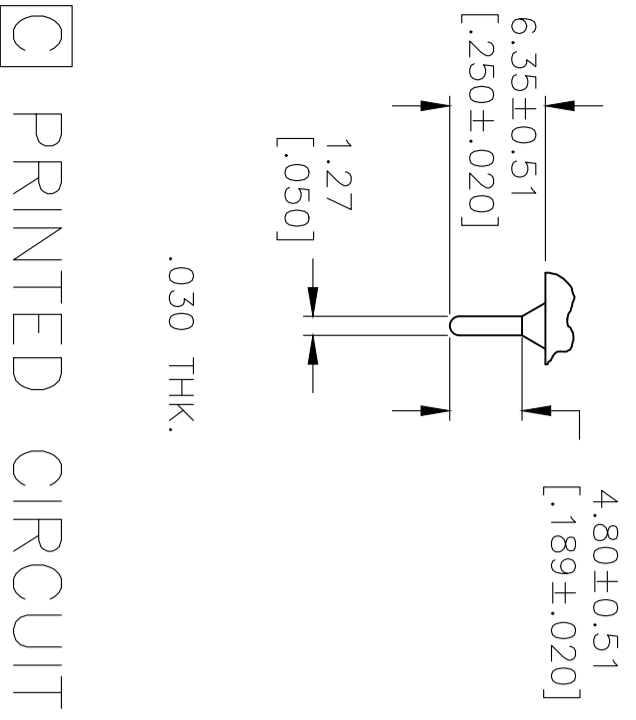
NOTE: L.E.D. NOT SUPPLIED





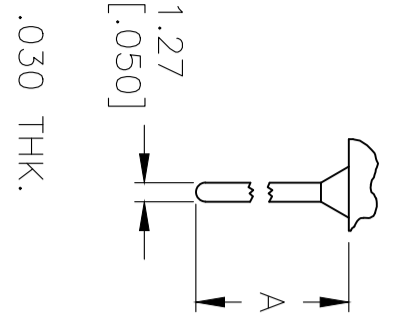
REV. NO.	DESCRIPTION	DATE	BY	APP'D
1	SEE SHEET 1			

COMPONENT NAME	BASE MATERIAL	FINISH
CASE	DAP, 30-40% GF, RED, UL94 V-0, COSMIC D72/6120F	
FRAME	304 STAINLESS STEEL	
B TERMINALS & CONTACTS	C194 COPPER	GOLD OVER NICKEL
G TERMINALS & CONTACTS	C194 COPPER	GOLD OVER SILVER
Q TERMINALS & CONTACTS	C194 COPPER	SILVER
ACTUATOR	PHENOLIC, BLACK, UL94 V-1	
ROCKER CAP	NYLON, BLACK, UL94 V-1, NYTEX MG-2012N	
BUSHING & ACTUATOR LEVER	ZINC ALLOY K2	.000100-.000150 NICKEL
SPRING	MUSIC WIRE	
SUPPORT BRACKET	C2680H BRASS	TIN
PIVOT PIN	STEEL	NICKEL
TERMINAL SEAL	EPOXY, UL94 V-1, BOOM HOUSE S-9001A	

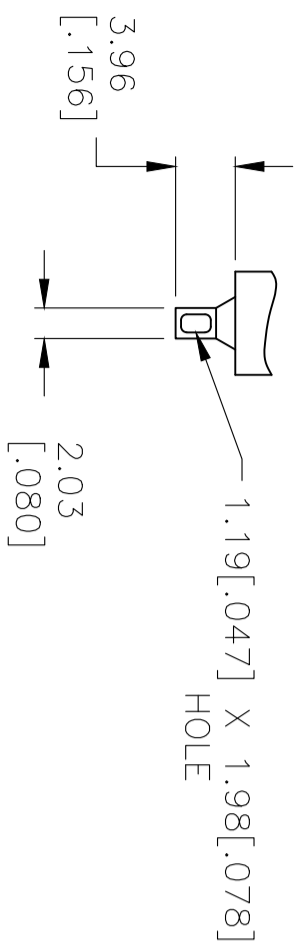


PRINTED CIRCUIT

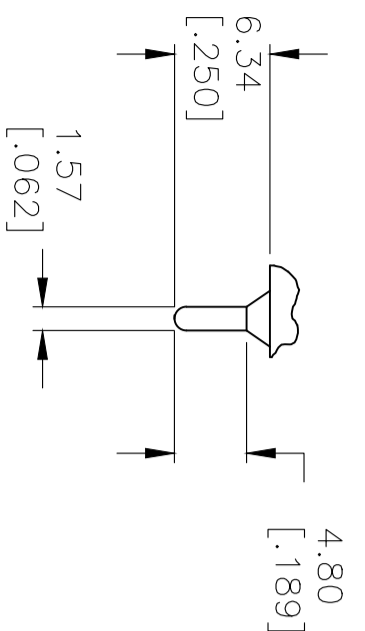
OPTION	DIM A
W	18.69 [.736]
W4	26.97 [1.062]



W W4 WIRE WRAP



Z WIRE LUG



Z3 QUICK CONNECT

△△	A101J1AV2Q004AM9	7-1571986-4
△△	A101J1AV2Q004AM8	7-1571986-3
△△	A101J1AV2Q004AM	7-1571986-2
△△	A108J61ZQ0004	7-1571986-0
△△	A108J51ZQ0004	6-1571986-9
△△	A108J1ZQ004	6-1571986-8
△△	A107J61ZQ0004	6-1571986-7
△△	A107J51ZQ0004	6-1571986-6
△△	A107J42ZQ004	6-1571986-5
△△	A105J61ZQ0004	6-1571986-4
△△	A105J51ZQ0004	6-1571986-3
△△	A105J42ZQ004	6-1571986-2
△△	A105J3CQ2004	6-1571986-1
△△	A105J3ZQ004	6-1571986-0
△△	A105J2AV2Q004	5-1571986-9
△△	A105J2A0004	5-1571986-8
△△	A105J2A0004	5-1571986-7
△△	A105J2A0004	5-1571986-6
△△	A105J2A0004	5-1571986-5
△△	A105J1ZQ004	5-1571986-4
△△	A105J1V3B004	5-1571986-3
△△	A105J1CQ004	5-1571986-2
△△	A105J1CQ004	5-1571986-1

△△	A101J1AV2Q004	2-1571986-3
△△	A101J3ZQ004	2-1571986-2
△△	A101J3V3Q204	2-1571986-1
△△	A101J2ZQ004	2-1571986-0
△△	A101J2ZB904	1-1571986-9
△△	A101J2AV2Q004	1-1571986-8
△△	A101J1ZQ004	1-1571986-7
△△	A101J1ZB004	1-1571986-6
△△	A101J1V3B004	1-1571986-5
△△	A101J1V3B004	1-1571986-4
△△	A101J1CQ004	1-1571986-3
△△	A101J1CQ004	1-1571986-2
△△	A101J1AQ204	1-1571986-1
△△	A101J1AV2B004	1-1571986-0
△△	A101J1A0004	1571986-9
△△	A101J1A0004	1571986-8
△△	A101J1AB004	1571986-7
△△	NOT ASSIGNED	1571986-6
△△	NOT ASSIGNED	1571986-5
△△	NOT ASSIGNED	1571986-4
△△	NOT ASSIGNED	1571986-3
△△	NOT ASSIGNED	1571986-2
△△	A101J1AB004	1571986-1

DIMENSIONS: mm (INCHES)		TOLERANCES UNLESS OTHERWISE SPECIFIED:	
0 PLC	± .1	0 PLC	± .1
1 PLC	± .1	1 PLC	± .1
2 PLC	± .1	2 PLC	± .1
3 PLC	± .1	3 PLC	± .1
4 PLC	± .1	4 PLC	± .1
ANGLES		ANGLES	
± .4°		± .4°	

THIS DRAWING IS A CONTROLLED DOCUMENT.		MATERIAL	
06JAN05	06JAN05	06JAN05	06JAN05
DMN	M.BINNER	DMN	M.BINNER
CHK	M.ZITTO	CHK	M.ZITTO
APVD	M.ZITTO	APVD	M.ZITTO
PRODUCT SPEC	PRODUCT SPEC	PRODUCT SPEC	PRODUCT SPEC
APPLICATION SPEC	APPLICATION SPEC	APPLICATION SPEC	APPLICATION SPEC
WEIGHT	WEIGHT	WEIGHT	WEIGHT
CUSTOMER DRAWING	CUSTOMER DRAWING	CUSTOMER DRAWING	CUSTOMER DRAWING

**STC** TE Connectivity

GEMINI A SERIES ROCKER SWITCH  
SINGLE POLE

SIZE: A2  
CAGE CODE: 00779  
DRAWING NO: 1571986

RESTRICTED TO