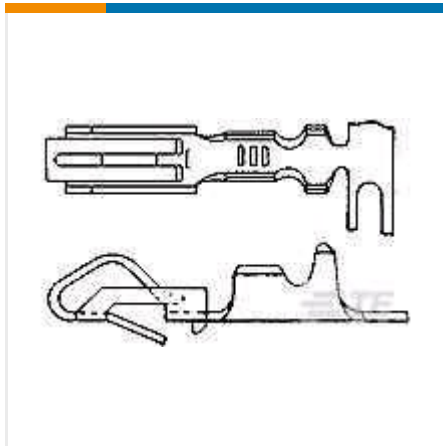




CONNECTORS

BOARD-TO-BOARD CONNECTOR CONTACTS



✓ Active

TE CONNECTIVITY (TE)

BIF-LEAF CONT AUPHBZ LP 24-18

AMP | BF , CNT

350011-2

TE Internal Number: 350011-2

EU RoHS Compliant

EU ELV Compliant

Contact Type Hermaphroditic

Centerline (Pitch) 2.54 mm [.1 in]

Contact Mating Area Plating Material Gold

Wire Range .2 – .8 mm² [24 – 18 AWG]

PCB Mount Retention Without

[↓ PRODUCT DRAWING](#)
English

[↓ 3D PDF](#)

DOCUMENTATION

Product Drawings

CONTACT, LOOSE PIECE,

PDF (TIFF AVAILABLE)

English

CAD Files

Customer View Model

3D_IGS.ZIP

English

Customer View Model

3D_STP.ZIP

English

Customer View Model

2D_DXF.ZIP

English

3D PDF

PDF

English

Product Specifications

Application Specification

Bifurcated Leaf Contact

TIF

English

Bifurcated Leaf Contact

PDF

English

Product Specification

Connector, Edge, Bifurcated Leaf

TIF

English

Connector, Edge, Bifurcated Leaf

PDF

English

FEATURES



Please review product documents or [contact us](#) for the latest agency approval information.

Please Note: Use the Product Drawing for all design activity.

Product Type Features

Connector & Contact Terminates To Wire & Cable

Product Type Contact

With Insulation Support Yes

Make First / Break Last No

Body Features

Body Style Straight

Contact Features

Solder Tail Contact Plating Material Nickel

Contact Configuration Bifurcated

Contact Angle Straight

Contact Type Hermaphroditic

Contact Mating Area Plating Material Gold

Contact Current Rating (Max) (A) 6

Contact Mating Area Plating Thickness .762 µm [30 µin]

Contact Base Material Phosphor Bronze

Termination Features

Termination Method to Wire/Cable Crimp

Termination End Plating Material Gold

Mechanical Attachment

Contact Retention in Housing Crimp Snap-In

PCB Mount Retention Without

Housing Features

Centerline (Pitch) 2.54 mm [.1 in]

Dimensions

Wire Range .2 – .8 mm² [24 – 18 AWG]

Wire Insulation Diameter 2.54 mm [.1 in]

Usage Conditions

Operating Temperature Range (°C) -55 – 105

Packaging Features

Packaging Quantity 1000

Packaging Method Loose Piece

PRODUCT COMPLIANCE



Statement of Compliance

Statement of Compliance

PDF
